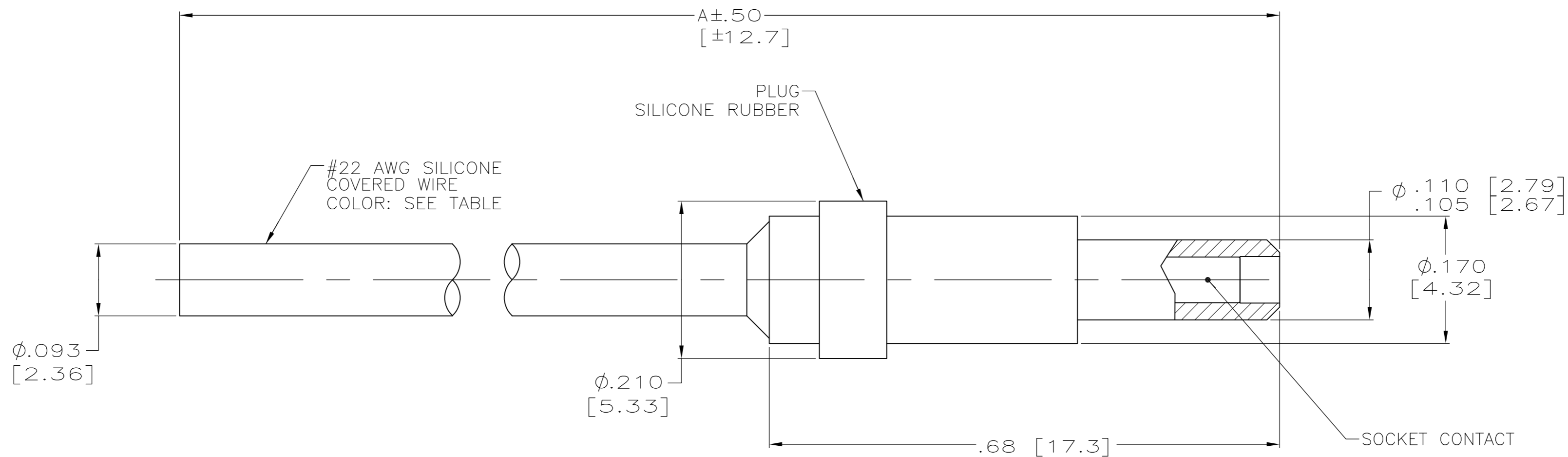


THIS DRAWING IS UNPUBLISHED. RELEASED FOR PUBLICATION
 © COPYRIGHT - By - ALL RIGHTS RESERVED.

LOC	DIST	REVISIONS					
DF	S0	P	LTR	DESCRIPTION	DATE	DWN	APVD
		F1		REVISED PER ECO-11-005030	11MAR11	RK	HMR



1. MARKED PER MIL-STD-130.
2. THIS PRODUCT IS RATED TO 125° C.

WHITE	40.00 [1016.0]	867823-6
WHITE	6.00 [152.4]	867823-5
WHITE	36.00 [914.4]	867823-4
GREEN	36.00 [914.4]	867823-3
WHITE	30.00 [762.0]	867823-2
WHITE	15.00 [381.0]	867823-1
WIRE COLOR	DIM A	PART NO.

THIS DRAWING IS A CONTROLLED DOCUMENT.		DWN	C.C.THOMAS	8-23-95																			
DIMENSIONS: INCHES [mm]		CHK	D.EABY	8-28-95																			
TOLERANCES UNLESS OTHERWISE SPECIFIED:		APVD	D.EABY	8-28-95																			
<table border="0"> <tr><td>0 PLC</td><td>±</td><td>-</td></tr> <tr><td>1 PLC</td><td>±</td><td>-</td></tr> <tr><td>2 PLC</td><td>±</td><td>.03 [0.8]</td></tr> <tr><td>3 PLC</td><td>±</td><td>.015 [0.38]</td></tr> <tr><td>4 PLC</td><td>±</td><td>-</td></tr> <tr><td>ANGLES</td><td>±</td><td>-</td></tr> </table>		0 PLC	±	-		1 PLC	±	-	2 PLC	±	.03 [0.8]	3 PLC	±	.015 [0.38]	4 PLC	±	-	ANGLES	±	-	PRODUCT SPEC	NAME	
0 PLC	±	-																					
1 PLC	±	-																					
2 PLC	±	.03 [0.8]																					
3 PLC	±	.015 [0.38]																					
4 PLC	±	-																					
ANGLES	±	-																					
MATERIAL	FINISH	APPLICATION SPEC	SIZE		CAGE CODE	DRAWING NO	RESTRICTED TO																
-	-	WEIGHT	-	A2	00779	C=867823	-																
CUSTOMER DRAWING				SCALE	8:1	SHEET	1 OF 1																
				REV	F1																		