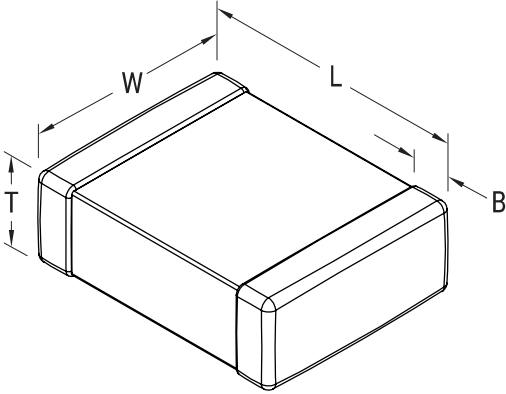



KEMET Part Number: M3253504E2X105KZMB
(C0805K105K8RML)

SMD MIL X7R PRF32535, Ceramic, Military/High Reliability, 1 uF, 10%, 10 VDC, X7R, SMD, Conformal, Military, Low ESR, MIL-PRF-32535, N/A, 0805



Dimensions	
L	2.01mm +/-0.25mm (0.079 in +/-0.01 in)
W	1.27mm +/-0.25mm (0.05 in +/-0.01 in)
T	1.52mm MAX (0.06 in MAX)
B	0.51mm +/-0.25mm (0.02 in +/-0.01 in)

Packaging Specifications	
Weight:	20 mg
Packaging:	Waffle
Packaging Quantity:	80

General Information	
Supplier:	KEMET
Series:	SMD MIL X7R PRF32535
Style:	SMD Chip
Description:	SMD, Conformal, Military, Low ESR, MIL-PRF-32535
RoHS:	No
Prop 65:	 WARNING: Cancer and reproductive harm - www.p65warnings.ca.gov
REACH:	SVHC (Pb – CAS 7439-92-1)
Termination:	Solder Plated
Failure Rate:	N/A
Qualifications:	MIL-PRF-32535
Notes:	2mm Pitch T&R packaging option will double quantity. Only for 0603 Chip Size
Chip Size:	0805

Specifications	
Capacitance:	1 uF
Capacitance Tolerance:	10%
Voltage DC:	10 VDC
Dielectric Withstanding Voltage:	25 V
Temperature Range:	-55/+125C
Temperature Coefficient:	X7R
Dissipation Factor:	5.00% 1MHz 25C
Aging Rate:	0% Loss/Decade Hour
Insulation Resistance:	500 MOhms

Statements of suitability for certain applications are based on our knowledge of typical operating conditions for such applications, but are not intended to constitute - and we specifically disclaim - any warranty concerning suitability for a specific customer application or use. This Information is intended for use only by customers who have the requisite experience and capability to determine the correct products for their application. Any technical advice inferred from this Information or otherwise provided by us with reference to the use of our products is given gratis, and we assume no obligation or liability for the advice given or results obtained.