

THIS DRAWING IS UNPUBLISHED.

RELEASED FOR PUBLICATION

2013

© COPYRIGHT 2013

Tyco Electronics AMP GmbH

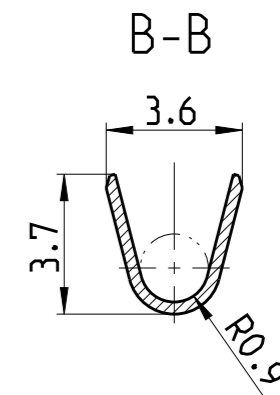
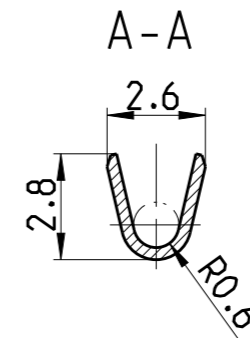
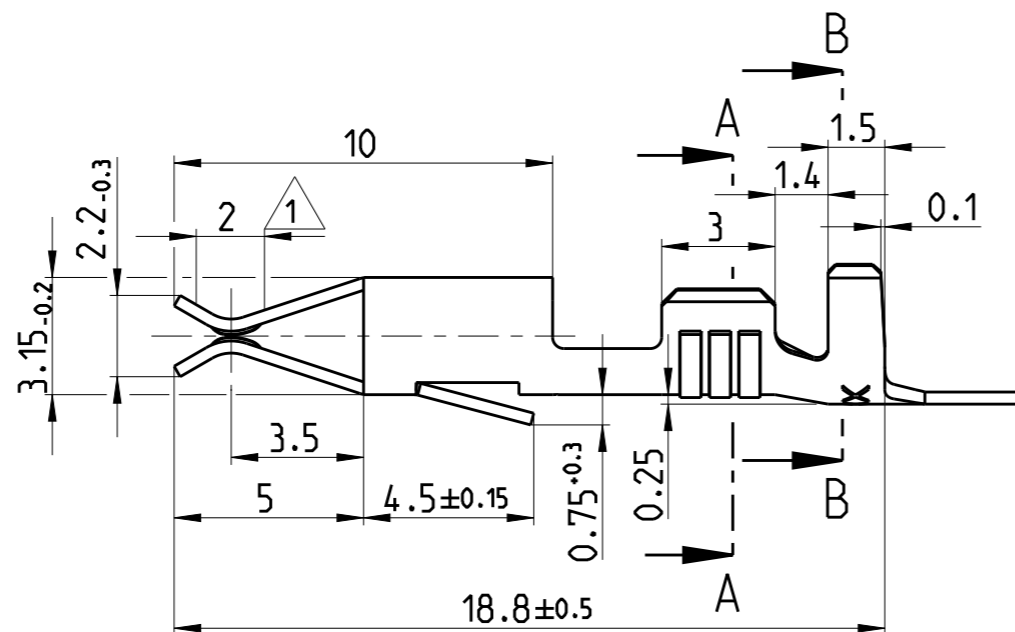
ALL RIGHTS RESERVED.

LOC
A1

DIST
-

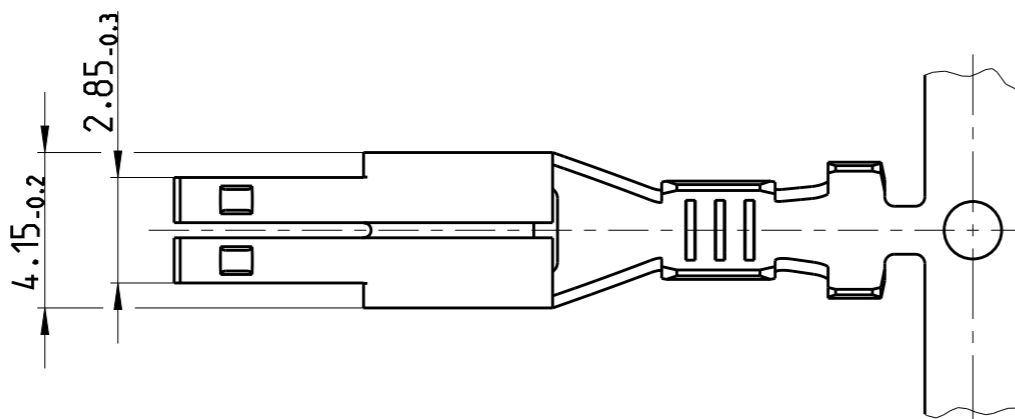
REVISIONS

P	LTR	DESCRIPTION	DATE	DWN	APVD
F2		REVISED BY ECO-11-005294	06APR2011	HMR	-
F3		New CAD drawing created.	20JUN2013	Kirs.	Eder
F4		ECR-15-012070	13AUG2015	JB JH	BK



1 IN CRIMP AREA TIN PLATED
Im Crimpbereich verzinkt

2 CONTACT BODY: PRE SILVER min. 0.8 µm
CONTACT AREA: PRE SILVER min. 3 µm
Kontaktkoerper: vorversilbert min. 0.8 µm
Kontaktzone: vorversilvert min. 3 µm



CONDUCTOR CROSS-SECTION IN mm²
Leitungsquerschnitt in mm²

SINGLE CONNECTION Einzelanschlag	0.35	0.50	0.75	1.00	1.50	2.00
0.35	X	X				
0.50	X	X	X			
0.75	X					
1.00	X					
1.50						
2.00						

WIRE SIZE RANGE: 0.5-1.0mm²
Drahtgroessenbereich: 0.5-1.0mm²

CRIMPING CONDUCTOR: FLKY WIRE
CONDUCTOR: F-CRIMP
INSULATION: OVERLAPPING CRIMP

angeschlagener Leiter: FLKY Leitung
Leiter: F-Crimp
Isolation: Ueberlappungscrimp

THIS DRAWING IS A CONTROLLED DOCUMENT.

DIMENSIONS:	TOLERANCES UNLESS OTHERWISE SPECIFIED:
mm	±0.2
	0 PLC
	1 PLC
	2 PLC
	3 PLC
	4 PLC
	ANGLES
	FINISH

DWN	Herth	17 JUL 1984
CHK	Herth	17 JUL 1984
APVD	C. Goepfel	20 JUN 2013
PRODUCT SPEC	-	
APPLICATION SPEC	-	
WEIGHT	-	
Customer Drawing		

TE Connectivity			
NAME JUNIOR-TIMER CONTACT Junior-Timer Kontakt			
SIZE	CAGE CODE	DRAWING NO	RESTRICTED TO
A3	00779	C-927845	-
SCALE 5:1		SHEET 1 OF 1	REV F4