

MICRO SWITCH

FREERPORT ILLINOIS, U.S.A
A DIVISION OF HONEYWELL

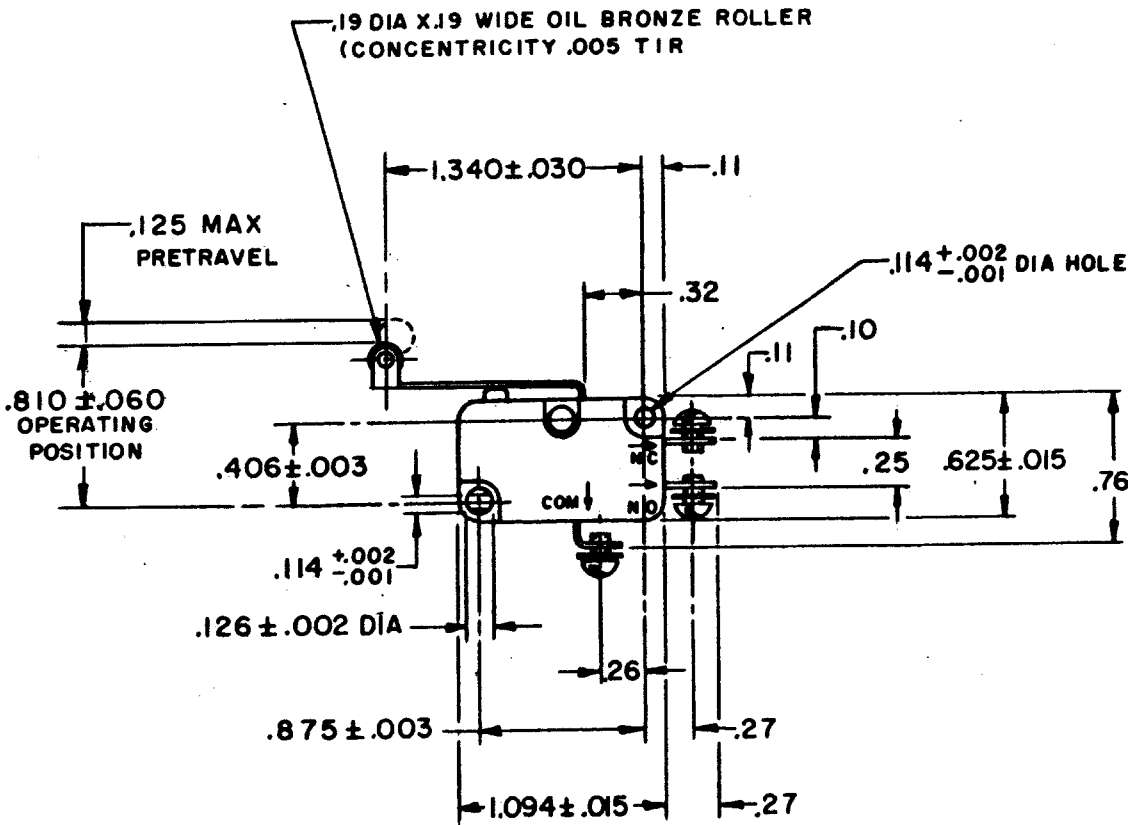
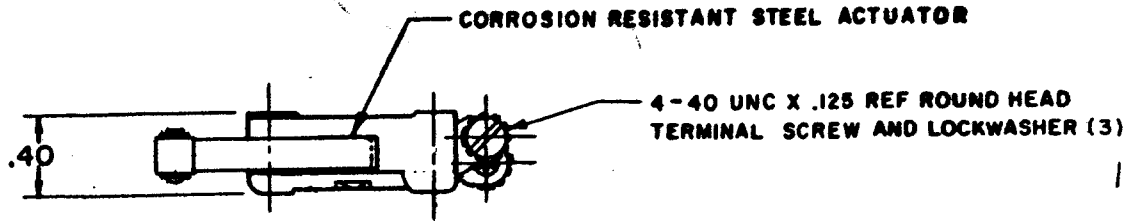
FED. MFG. CODE 91989

SWITCH-BASIC

CATALOG LISTING

V3L-III

CQ-B1100



V3L-III
M
 DRAWING NUMBER
 ISSUE
 REVISIONS
 A 12667
 B 24841
 C 28078
 D 34748
 E 38900
 F 59821
 G 78096
 H 9450994
 RELEASE NO. SR 12887
 CHECK
 13 JUN 67
 CHECK CFH
 13 JUN 67
 CHECK LSD
 13 JUN 67
 CHECK
 13 JUN 67
 DRAWN
 M B F 13 JUNE 67
 FO-80378-1A

THIS DRAWING COVERS A PROPRIETARY ITEM AND IS THE PROPERTY OF MICRO SWITCH. A DIVISION OF HONEYWELL. THIS DRAWING IS NOT TO BE COPIED OR USED WITHOUT THE APPROVAL OF MICRO SWITCH.

CHARACTERISTICS

OPERATING FORCE ——— 4 OZ MAX
 RELEASE FORCE ——— 1/2 OZ MIN
 DIFFERENTIAL TRAVEL ——— .050 MAX
 OVERTRAVEL ——— .085 MIN
 RELEASE TRAVEL ——— .011 MIN

ELECTRICAL DATA

CONTACT ARRANGEMENT
 S P D T
 — L156 — 11A-1/3HP-125-250-277 VAC
 1/2A-125 VDC; 1/4A-250 VDC
 4A-125 VAC "L"



SCALE FULL

DO NOT SCALE PRINT

UNLESS OTHERWISE NOTED
DIMENSIONS ARE IN INCHES

TOLERANCES ARE:

ONE PLACE (.0) ±.030
 TWO PLACE (.001) ±.018
 THREE PLACE (.000) ±.008
 ANGLES ±

WEIGHT