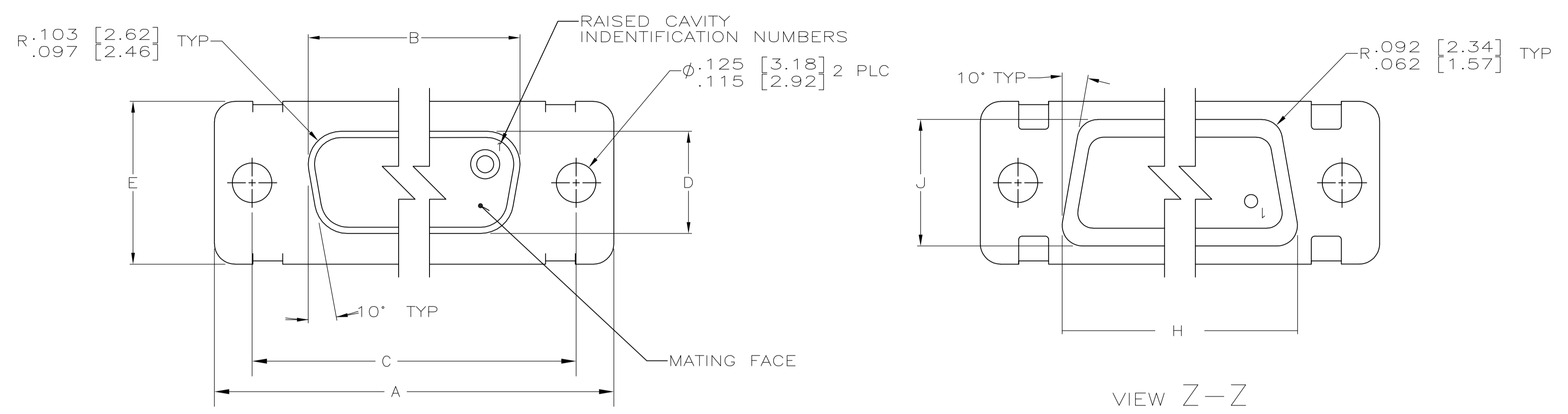
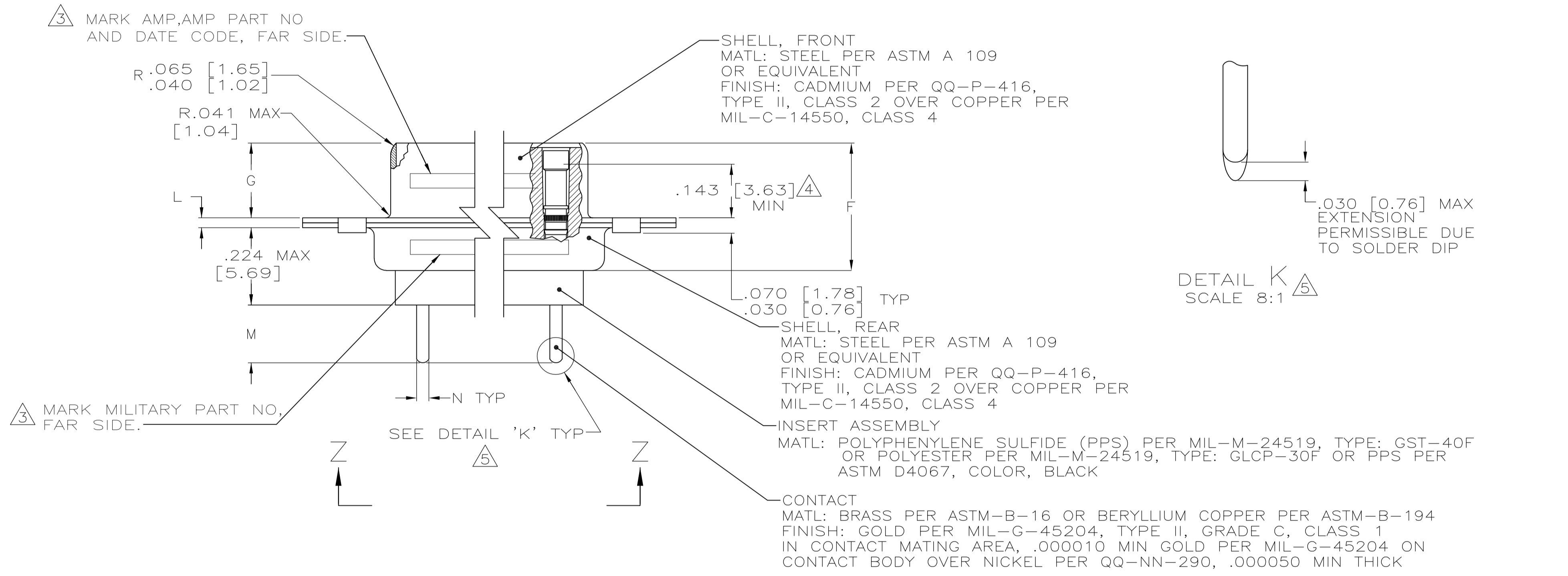


REVISONS		DATE	BY	APPV
D	REV PER ECO-07-017102	20SEP07	PY	BW

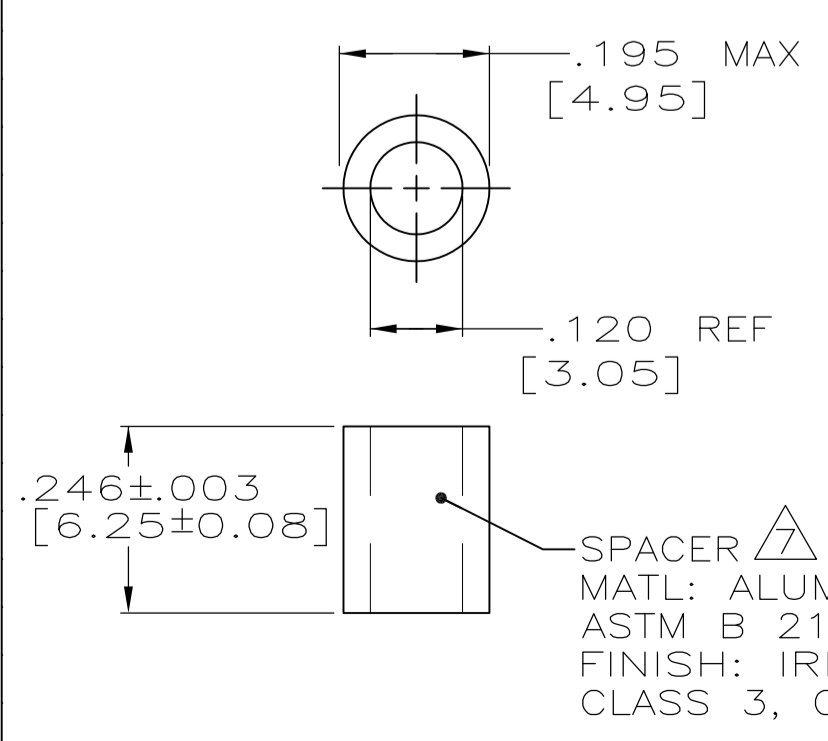


- SEE SHEET 2 FOR RECOMMENDED P.C. BOARD LAYOUT. TRUE POSITION TOLERANCE FOR P.C. BOARD LAYOUT IS .010 [0.25] AT MAX MATERIAL CONDITION. SUGGESTED BOARD THICKNESS IS .125 [3.18]
- THE CONNECTORS DESCRIBED IN THIS DOCUMENT MEET THE REQUIREMENTS OF MIL-C-24308 AND MATE WITH ANY PLUG CONNECTOR WITH SAME INSERT ARRANGEMENT.
- MARK WITH .047 [1.19]-.062 [1.57] HIGH CHARACTERS. FAR SIDE REFERS TO THE WIDE SIDE OF THE KEYSTONE. NEAR SIDE REFERS TO THE NARROW SIDE OF THE KEYSTONE. IF THE REAR SHELL IS TOO SMALL FOR THE ENTIRE MILITARY PART NUMBER, MARKING SHALL BE LOCATED AS FOLLOWS:
  - "M24308" ON FRONT SHELL, FAR SIDE.
  - SLASH SHEET AND DASH NUMBER ON REAR SHELL, FAR SIDE.
  - "AMP" AND DATE CODE ON FRONT SHELL, NEAR SIDE.
  - AMP PART NUMBER ON REAR SHELL, NEAR SIDE.
 IF THE FRONT SHELL IS TOO SMALL FOR "AMP", AMP PART NUMBER AND DATE CODE, THEN SPLIT AS FOLLOWS:
  - AMP PART NUMBER ON REAR SHELL, NEAR SIDE.
  - "AMP" AND DATE CODE ON FRONT SHELL, NEAR SIDE.
  - MILITARY PART NUMBER ON REAR SHELL, FAR SIDE.



- POINT OF ELECTRICAL ENGAGEMENT - AS MEASURED WITH A .0390 [0.991]-.0393 [0.998] DIA SQUARE ENDED TEST PIN.
- SOLDER DIP PER MIL-STD-2000 COMPOSITION Sn63 CONFORMING TO QQ-S-571. COVERAGE SHALL BE COMPLETE TO A DISTANCE .020 [0.51] MAX FROM INSERT ASSEMBLY.
- THE SOLDER DIP PROCESS IS PERFORMED SUBSEQUENT TO THE COMPLETION OF PRODUCTION OF THE MILITARY QUALIFIED CONNECTOR. DIMENSIONS APPLY PRIOR TO SOLDER DIPPING.
- SPACERS (QTY 2) ARE SUPPLIED WITH CONNECTORS (NOT ATTACHED TO THE CONNECTOR).
- DIMENSIONS AND TOLERANCES PER ANSI Y14.5M-1982.
- THIS DRAWING SHALL BE INTERPRETED IN ACCORDANCE WITH APPLICABLE STANDARDS LISTED IN MIL-STD-100.

N	M	L	J	H	G	F	E	D	C	B	A	INSERT ARRANGEMENT	NO OF POS	SHELL SIZE	MILITARY P/N ON CONNECTOR	AMP P/N ON CONNECTOR	PART NUMBER
.043 [1.09] / .037 [0.94]	.176 [4.47] / .136 [3.45]	.040 [1.02] / .020 [0.51]	.544 [13.82] / .524 [13.31]	2.188 [55.58] / 2.168 [55.07]	.248 [6.30] / .238 [6.05]	.439 [11.15] / .419 [10.64]	.620 [15.75] / .590 [14.99]	.428 [10.87] / .418 [10.62]	2.411 [61.24] / 2.401 [60.99]	2.069 [52.55] / 2.059 [52.30]	2.650 [67.31] / 2.620 [66.55]	MS18277-1	50	5	M24308/23-17F	443977-5	1-443977-0
			2.282 [57.96] / 2.262 [57.45]	2.505 [63.63] / 2.495 [63.37]			2.164 [54.97] / 2.154 [54.71]	2.744 [69.70] / 2.714 [68.94]	MS18276-1	37	4	M24308/23-16F	443977-4	443977-9			
.432 [10.97] / .412 [10.46]	1.635 [41.53] / 1.615 [41.02]	1.093 [27.76] / 1.073 [27.25]	.749 [19.02]	2.188 [55.58] / 2.168 [55.07]	.248 [6.30] / .238 [6.05]	.439 [11.15] / .419 [10.64]	.509 [12.93] / .479 [12.17]	.316 [8.03] / .306 [7.77]	2.411 [61.24] / 2.401 [60.99]	2.069 [52.55] / 2.059 [52.30]	2.650 [67.31] / 2.620 [66.55]	MS18275-1	25	3	M24308/23-15F	443977-3	443977-8
			1.857 [47.17] / 1.847 [46.91]	1.516 [38.51] / 1.506 [38.25]			2.103 [53.42] / 2.073 [52.65]	MS18274-1	15	2	M24308/23-14F	443977-2	443977-7				
.769 [19.53] / .749 [19.02]	1.093 [27.76] / 1.073 [27.25]	1.093 [27.76] / 1.073 [27.25]	.749 [19.02]	2.188 [55.58] / 2.168 [55.07]	.248 [6.30] / .238 [6.05]	.439 [11.15] / .419 [10.64]	.989 [25.12] / .979 [24.87]	.648 [16.46] / .638 [16.21]	2.411 [61.24] / 2.401 [60.99]	2.069 [52.55] / 2.059 [52.30]	2.650 [67.31] / 2.620 [66.55]	MS18273-1	9	1	M24308/23-13F	443977-1	443977-6
			1.317 [33.45] / 1.307 [33.20]	.976 [24.79] / .966 [24.54]			1.556 [39.52] / 1.526 [38.76]	MS18272-1	15	2	M24308/23-12F	443977-2	443977-5				



THIS DRAWING IS A CONTROLLED DOCUMENT.

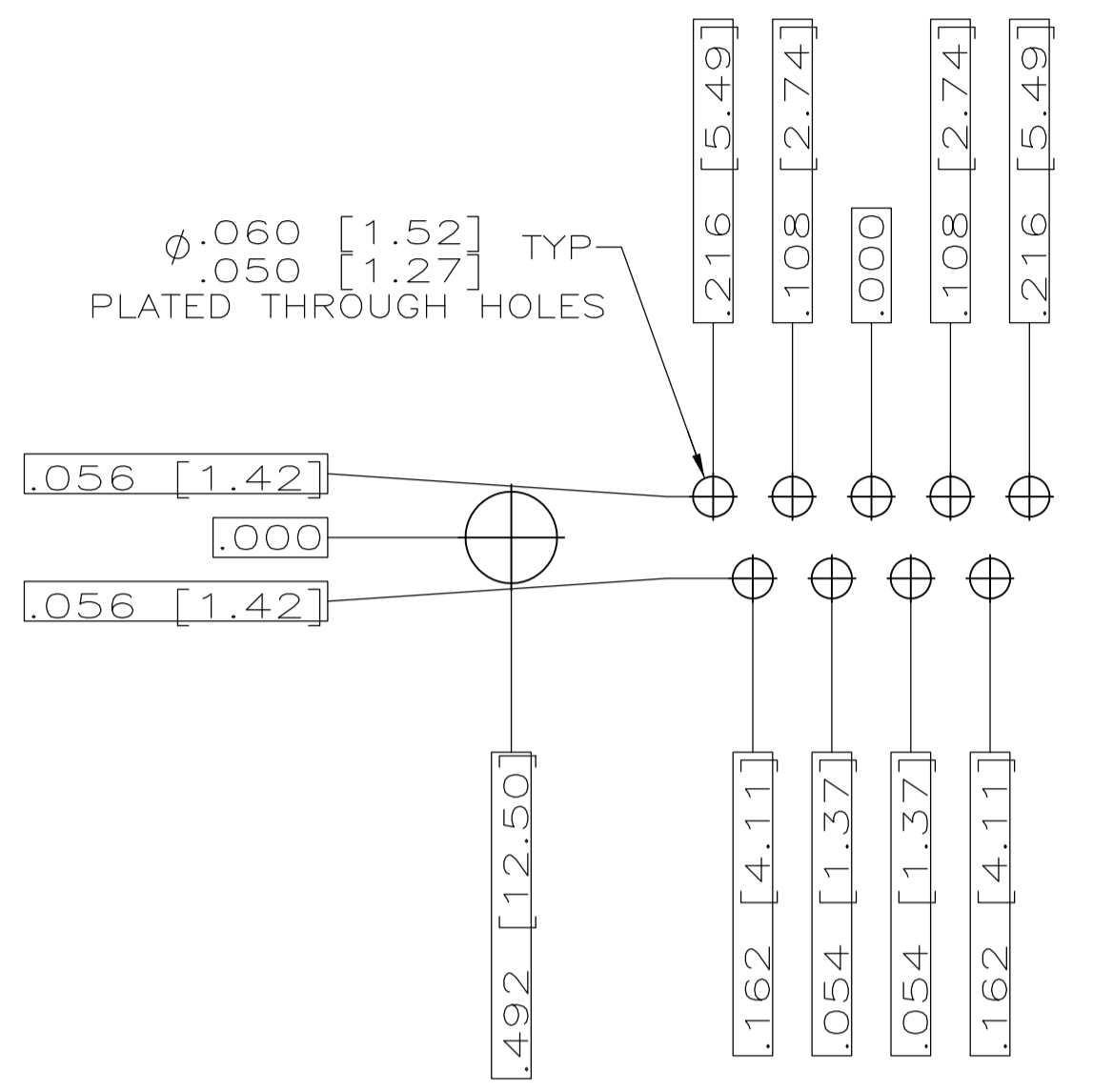
APPROVED: J.A. BAKER, 15MAY98

DESIGNED: G. OVER, 15MAY98

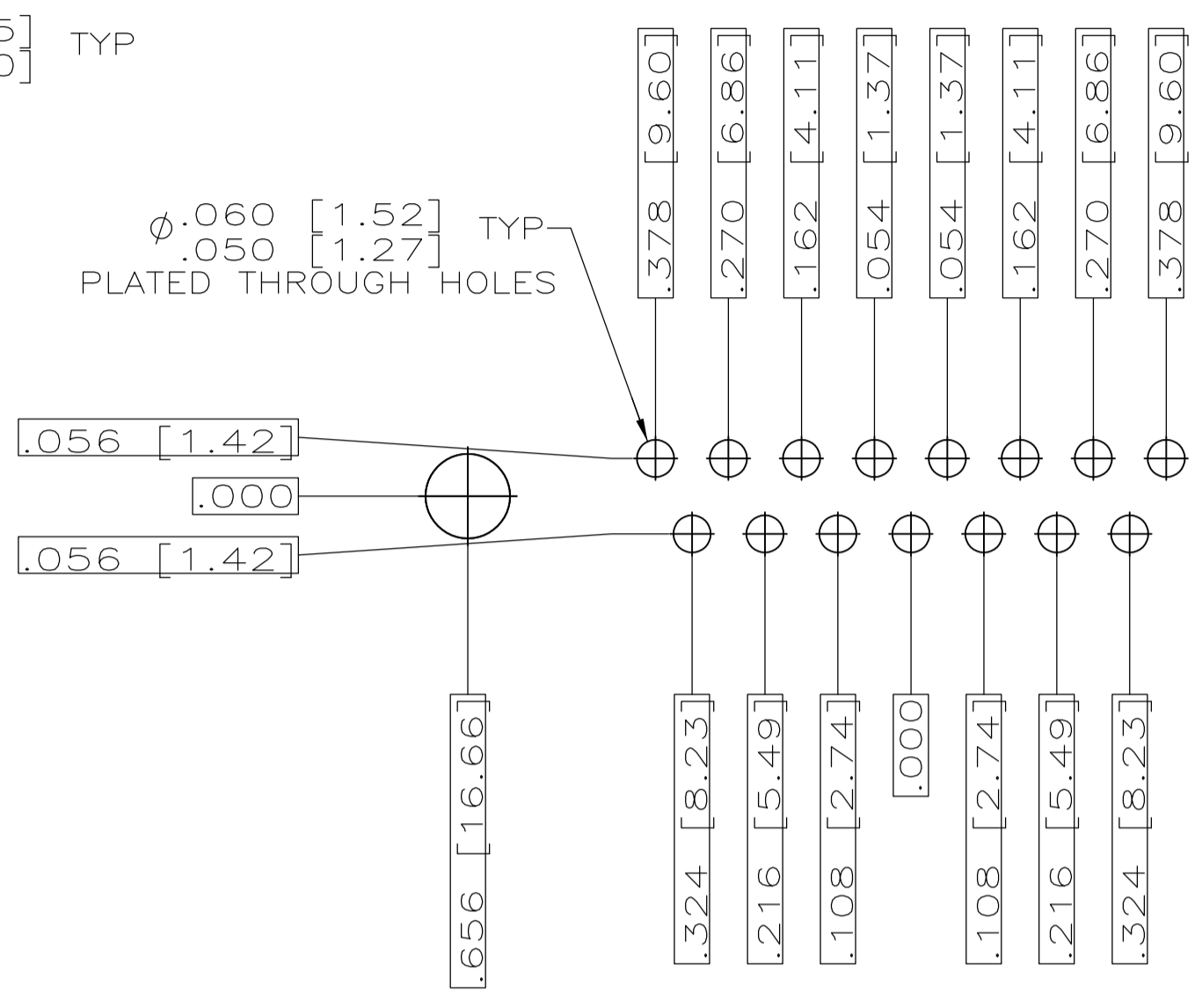
NAME: AMPLIMITE RECEPTACLE ASSY, W/SIZE 20 POSTED PC BOARD CONTACTS, SERIES 109, SIZES 1 THRU 5

SIZE: A1, 00779, 443977

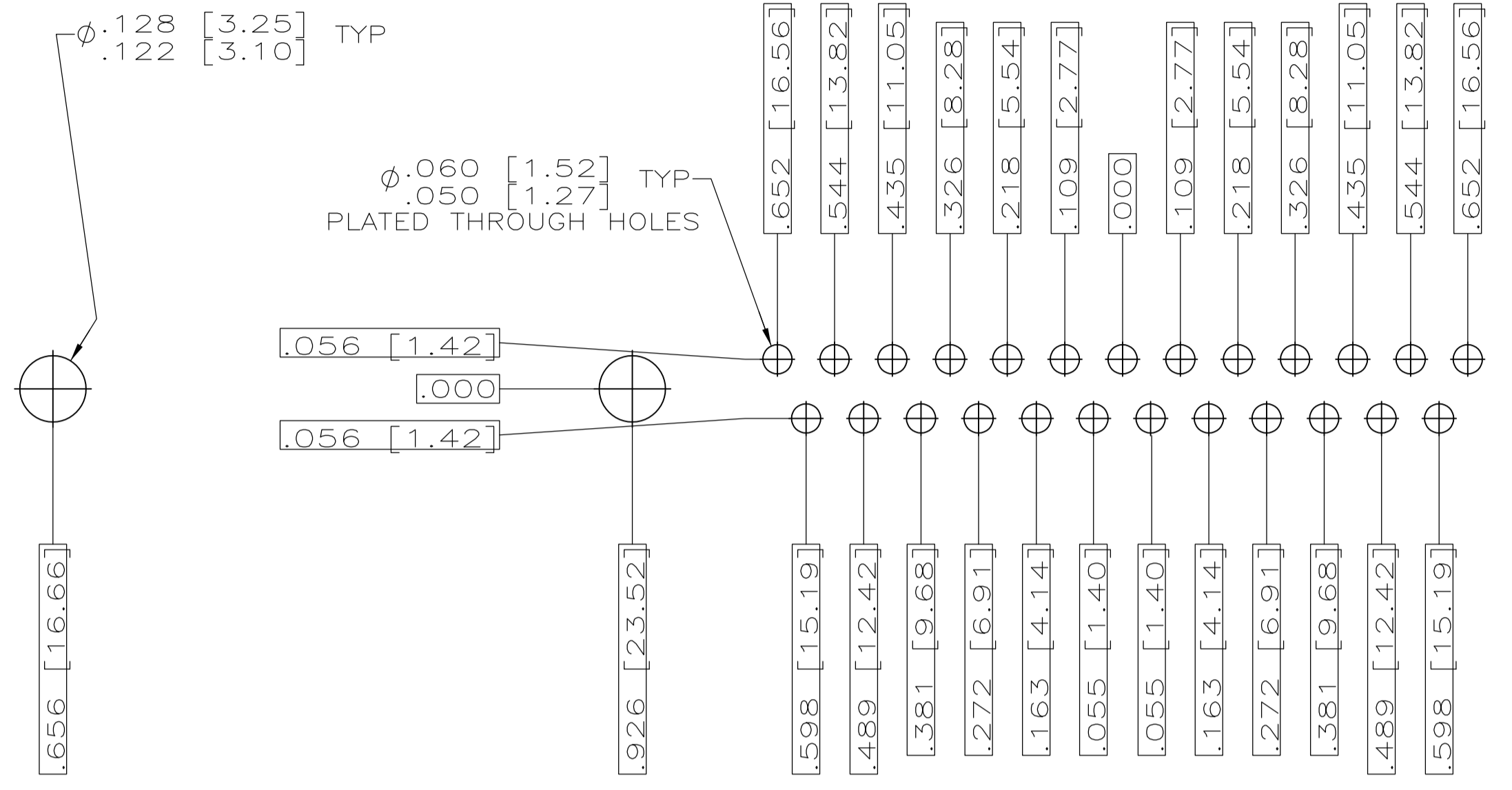
SCALE: 4:1, SHEET 1 OF 2, REV D



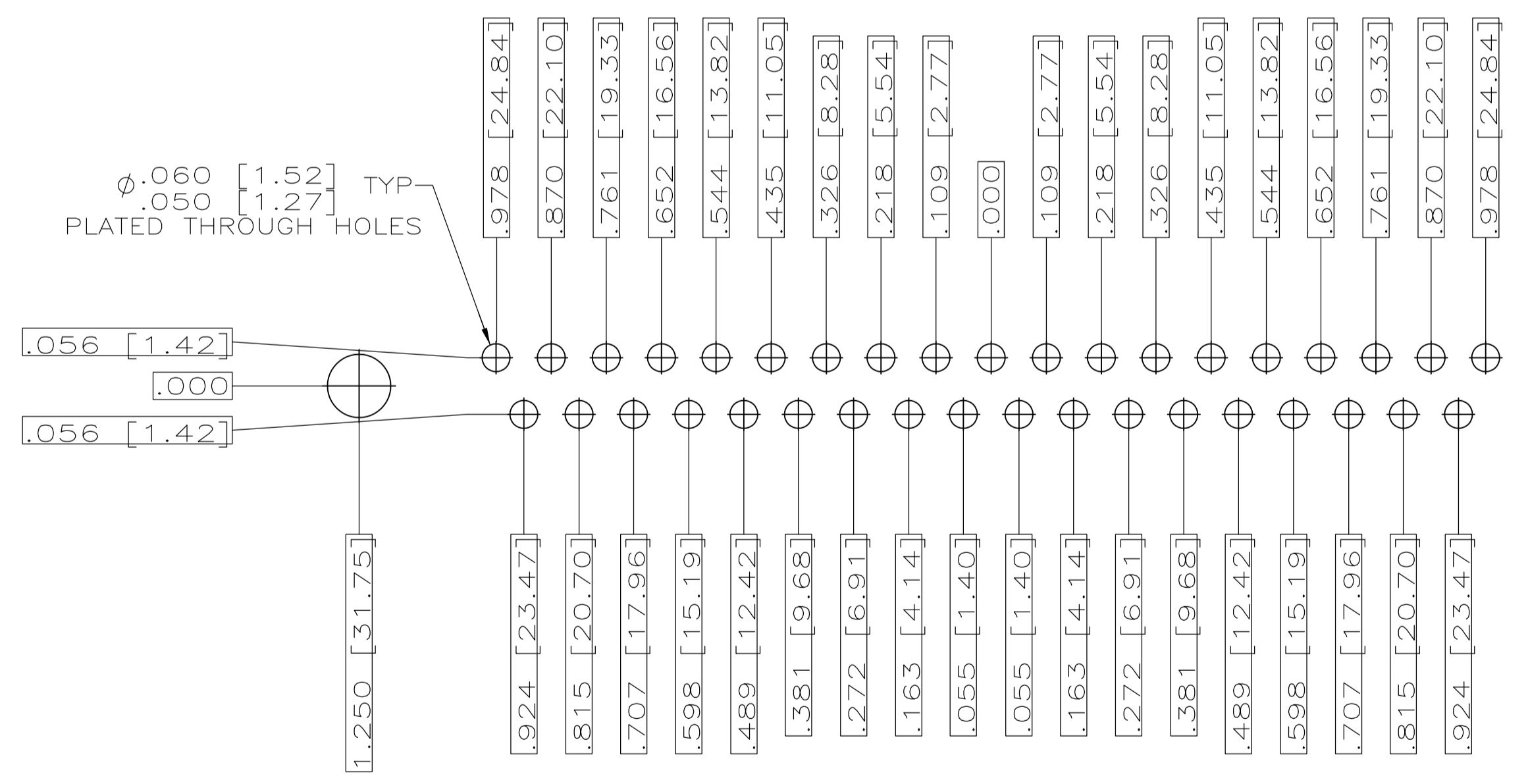
RECOMMENDED P.C. BOARD LAYOUT  
SHELL SIZE 1 (9 POSITION) ⚠



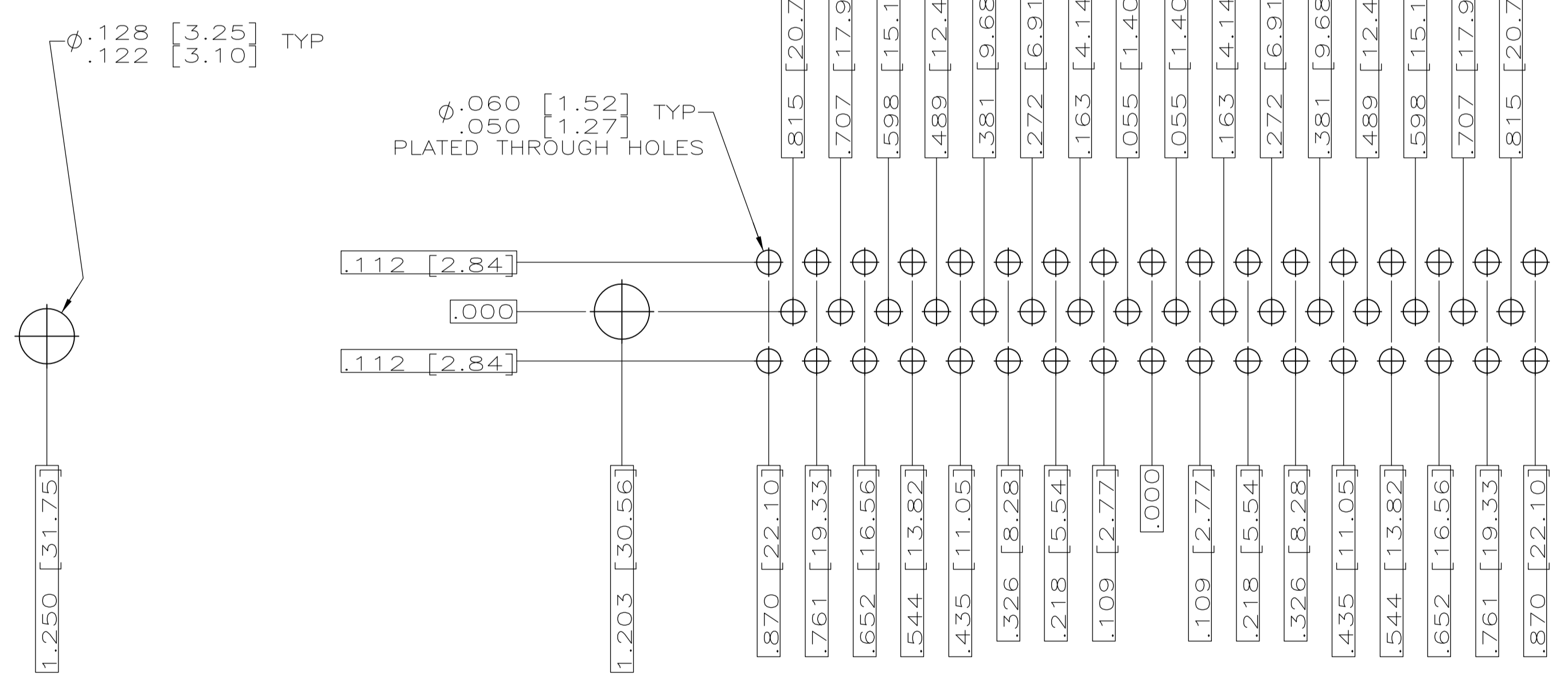
RECOMMENDED P.C. BOARD LAYOUT  
SHELL SIZE 2 (15 POSITION) ⚠



RECOMMENDED P.C. BOARD LAYOUT  
SHELL SIZE 3 (25 POSITION) ⚠



RECOMMENDED P.C. BOARD LAYOUT  
SHELL SIZE 4 (37 POSITION) ⚠



RECOMMENDED P.C. BOARD LAYOUT  
SHELL SIZE 5 (50 POSITION) ⚠

THIS DRAWING IS A CONTROLLED DOCUMENT.		DIN J.A.Baker 15MAY97	05MAY97	Tyco Electronics Tyco Electronics Corporation Harrisburg, PA 17105-3608																		
DIMENSIONS: INCHES		CHK G. OVER	15MAY98																			
TOLERANCES UNLESS OTHERWISE SPECIFIED:		NAME																				
<table border="1"> <tr><td>0</td><td>PLC</td><td>±</td></tr> <tr><td>1</td><td>PLC</td><td>±</td></tr> <tr><td>2</td><td>PLC</td><td>±</td></tr> <tr><td>3</td><td>PLC</td><td>±</td></tr> <tr><td>4</td><td>PLC</td><td>±</td></tr> <tr><td>ALL</td><td>ANGLES</td><td>±</td></tr> </table>		0	PLC	±	1	PLC	±	2	PLC	±	3	PLC	±	4	PLC	±	ALL	ANGLES	±	PRODUCT SPEC ML-C-24308		
0	PLC	±																				
1	PLC	±																				
2	PLC	±																				
3	PLC	±																				
4	PLC	±																				
ALL	ANGLES	±																				
MATERIAL SEE CALLOUTS		APPLICATION SPEC																				
FINISH SEE CALLOUTS		SIZE A1	CAGE CODE 00779	DRAWING NO. 443977																		
CUSTOMER DRAWING		SCALE 4:1	SHEET 2 OF 2	REV D																		