

THIS DRAWING IS UNPUBLISHED.

RELEASED FOR PUBLICATION NOV ,2003.

© COPYRIGHT 2003 By -

ALL RIGHTS RESERVED.

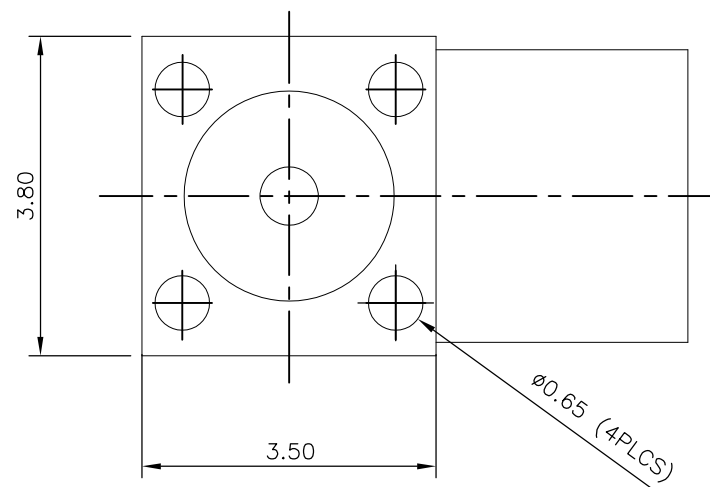
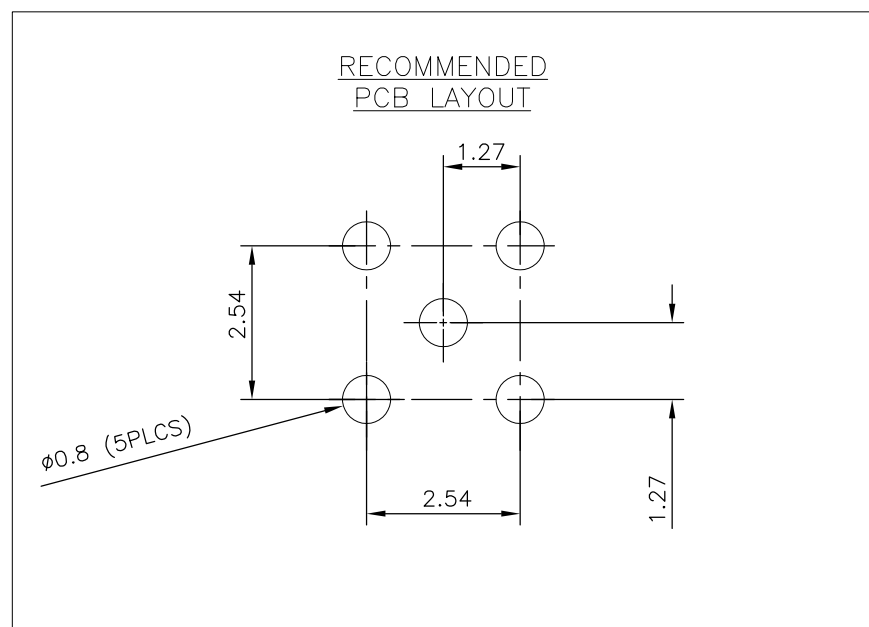
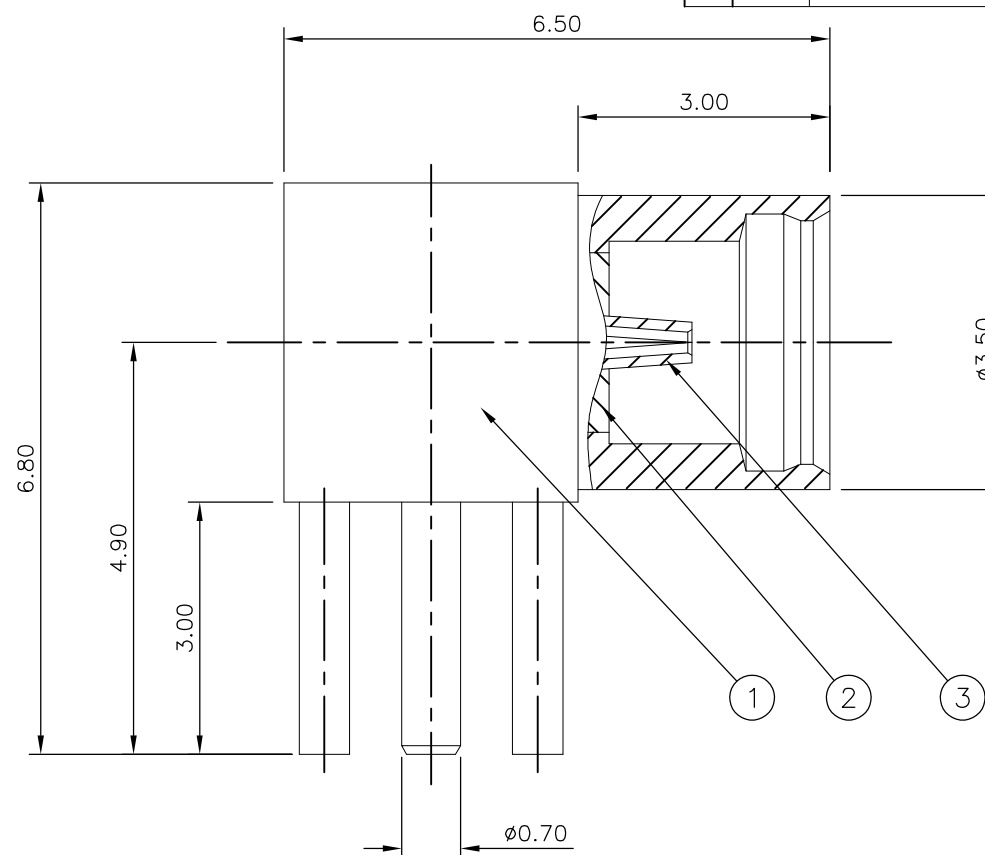
LOC	DIST	REVISIONS					
E	B	P	LTR	DESCRIPTION	DATE	DWN	APVD
			D1	REVISED PER ECO-11-005033	01APR11	RK	HMR

NOTES:

- 1 SINGLE PACK IN ACCORDANCE WITH AMP SPEC 107-3275
- 2 50 TRAY PACK IN ACCORDANCE WITH AMP SPEC 107-3275
- 3 Au PLATING OVER Ni PLATING OVER Cu PLATING
- 4. CHARACTERISTICS

FREQUENCY RANGE:	DC-6GHz
NOMINAL IMPEDANCE:	50 OHMS
WORKING VOLTAGE:	170V RMS
INSULATION RESISTANCE:	1000 MOHMS
DIELECTRIC WITHSTAND VOLTAGE:	500V RMS
CONTACT RESISTANCE:	5.0 mOHMS
CENTRE CONTACT	
- 5. MECHANICAL CHARACTERISTICS

DURABILITY:	500 CYCLES
-------------	------------
- 6. FOR TECHNICAL DATA REFER TO YOUR LOCAL TE CONNECTIVITY SALES OFFICE
- 7. ALL DIMENSIONS ARE NOMINAL FOR REFERENCE ONLY UNLESS OTHERWISE STATED



QUANTITY PER ASSY	DESCRIPTION	ITEM
1	1 BERYLLIUM COPPER 4	SOCKET 3
1	1 PTFE	INSULATOR 2
1	1 BRASS 4	BODY 1
6--0	1--0 MATERIAL	DESCRIPTION

THIS DRAWING IS A CONTROLLED DOCUMENT.		DWN J.SANDWELL 12NOV03		STE TE Connectivity	
DIMENSIONS: mm		CHK S.PARLOW 12NOV03			
TOLERANCES UNLESS OTHERWISE SPECIFIED:		APVD F.WHEELER-KING 12NOV03		NAME	
0 PLC ± -		PRODUCT SPEC		MMCX RIGHT ANGLE PCB MOUNT SOCKET	
1 PLC ± -		108-3462		RECEPTACLE 50 OHMS	
2 PLC ± -		APPLICATION SPEC		-	
3 PLC ± -		411-3280		SIZE	CAGE CODE
4 PLC ± -		WEIGHT -		DRAWING NO	
ANGLES ± -		CUSTOMER DRAWING		RESTRICTED TO	
FINISH		SCALE NTS		SHEET 1 OF 1	
SEE TABLE		REV D1		REV	