

Customer Information Sheet

DRAWING No.: M80-781XXXX

SHEET 2 OF 2

IF IN DOUBT - ASK

©

NOT TO SCALE

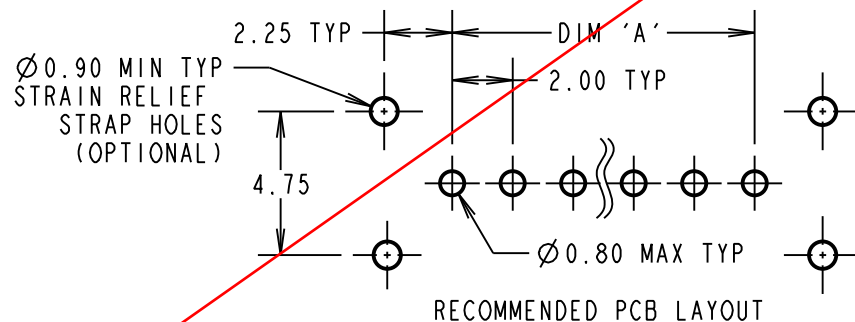
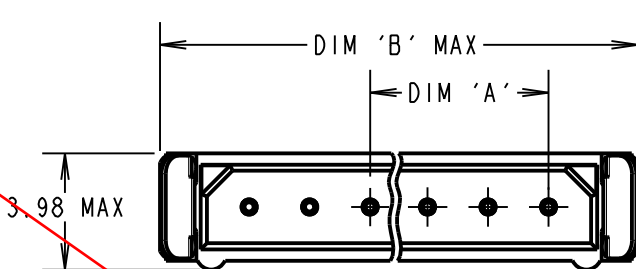
THIRD ANGLE PROJECTION

ALL DIMENSIONS IN mm

ORDER CODE: **M80-781XXXX**

TOTAL No. OF WAYS
02-07, 17, 22

FINISH:
22 - GOLD ON CONTACT AREA
TIN/LEAD ON TAILS
42 - GOLD ON CONTACT AREA
100% TIN ON TAILS
45 - GOLD



SPECIFICATIONS:

MATERIAL:
MOULDING = GLASS-FILLED POLYAMIDE 46
UL94V-0, BLACK

CONTACTS = PHOSPHOR BRONZE
LATCHES = BERYLLIUM COPPER

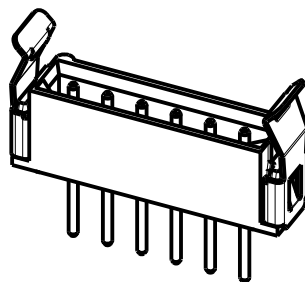
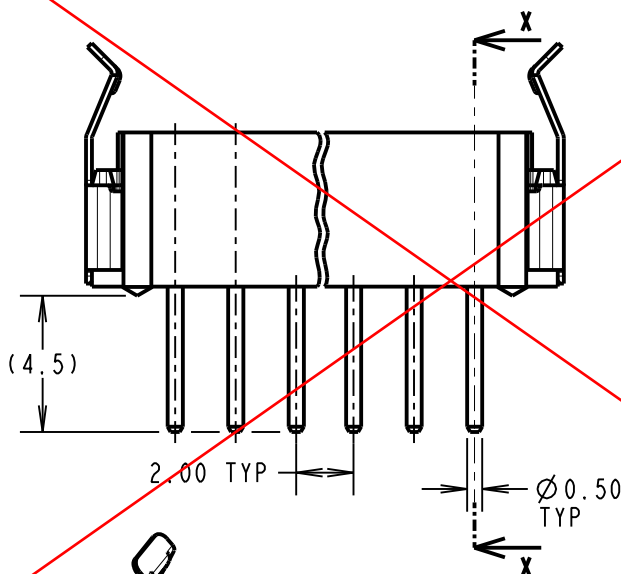
FINISH:
CONTACTS:
22 = 0.75µ GOLD ON CONTACT AREA,
3.0µ 90/10 TIN/LEAD ON TAILS
42 = 0.75µ GOLD ON CONTACT AREA,
3.0µ 100% TIN OVER NICKEL ON TAILS
45 = 0.75µ GOLD
LATCH = 1.25µ NICKEL

ELECTRICAL:
CURRENT RATING (25°C) = 3.0A MAX.
CURRENT RATING (85°C) = 2.2A MAX.
WORKING VOLTAGE = 120V AC/DC
VOLTAGE PROOF = 360V AC/DC

CONTACT RESISTANCE:
INITIAL = 20mΩ MAX.
AFTER CONDITIONING = 25mΩ MAX.
INSULATION RESISTANCE:
INITIAL = 1000MΩ MIN.
AFTER CONDITIONING = 100MΩ MIN.

MECHANICAL:
DURABILITY = 500 OPERATIONS
ENVIRONMENTAL:
TEMPERATURE RANGE = -55°C TO +125°C
PACKING: TUBE

FOR COMPLETE SPECIFICATION, SEE COMPONENT SPECIFICATION C005XX (LATEST ISSUE)



OBSOLETE

NOTES:
1. 2-OFF STRAIN RELIEF STRAPS
M80-0030006 MAY BE USED
WITH EACH CONNECTOR.

SECTION X-X

PART No.	No. OF CONTACTS	DIM 'A'	DIM 'B'
M80-78102XX	2	2.00	8.10
M80-78103XX	3	4.00	10.10
M80-78104XX	4	6.00	12.10
M80-78105XX	5	8.00	14.10
M80-78106XX	6	10.00	16.10
M80-78107XX	7	12.00	18.10
M80-78117XX	17	32.00	38.10
M80-78122XX	22	42.00	48.10

SM	3	27.05.11	10832
NAME	ISS.	DATE	C/NOTE
APPROVED: S. MCCULLAGH			
CHECKED: M. G. PLESTED			
DRAWN: B. M. KENT			
CUSTOMER REF.:			
ASSEMBLY DRG:			

HARWIN

HARWIN USA
TEL: 603 893 5376
FAX: 603 893 5396
mis@harwin.com

HARWIN Europe (UK)
TEL: 023 9231 4545
FAX: 023 9231 4590
mis@harwin.co.uk

HARWIN Asia
TEL: +65 6 779 4909
FAX: +65 6 779 3868
mis@harwin.com.sg

THIS DRAWING AND ANY INFORMATION OR DESCRIPTIVE MATTER SET OUT HEREON ARE CONFIDENTIAL AND COPYRIGHT PROPERTY OF THE HARWIN GROUP AND MUST NOT BE DISCLOSED, LOANED, COPIED OR USED FOR MANUFACTURING, TENDERING OR FOR ANY OTHER PURPOSE WITHOUT THEIR WRITTEN PERMISSION.

TOLERANCES
X. = ±1mm
X.X = ±0.25mm
X.XX = ±0.10mm
X.XXX = ±0.01mm
ANGLES = ±5°
UNLESS STATED

MATERIAL:
SEE ABOVE
FINISH: SEE ABOVE
S/AREA: mm²

TITLE: DATAMATE SIL
VERTICAL MALE PC TAIL
ASSEMBLY - FRICTION LATCH
DRAWING NUMBER: **M80-781XXXX**
SHT 2 OF 2