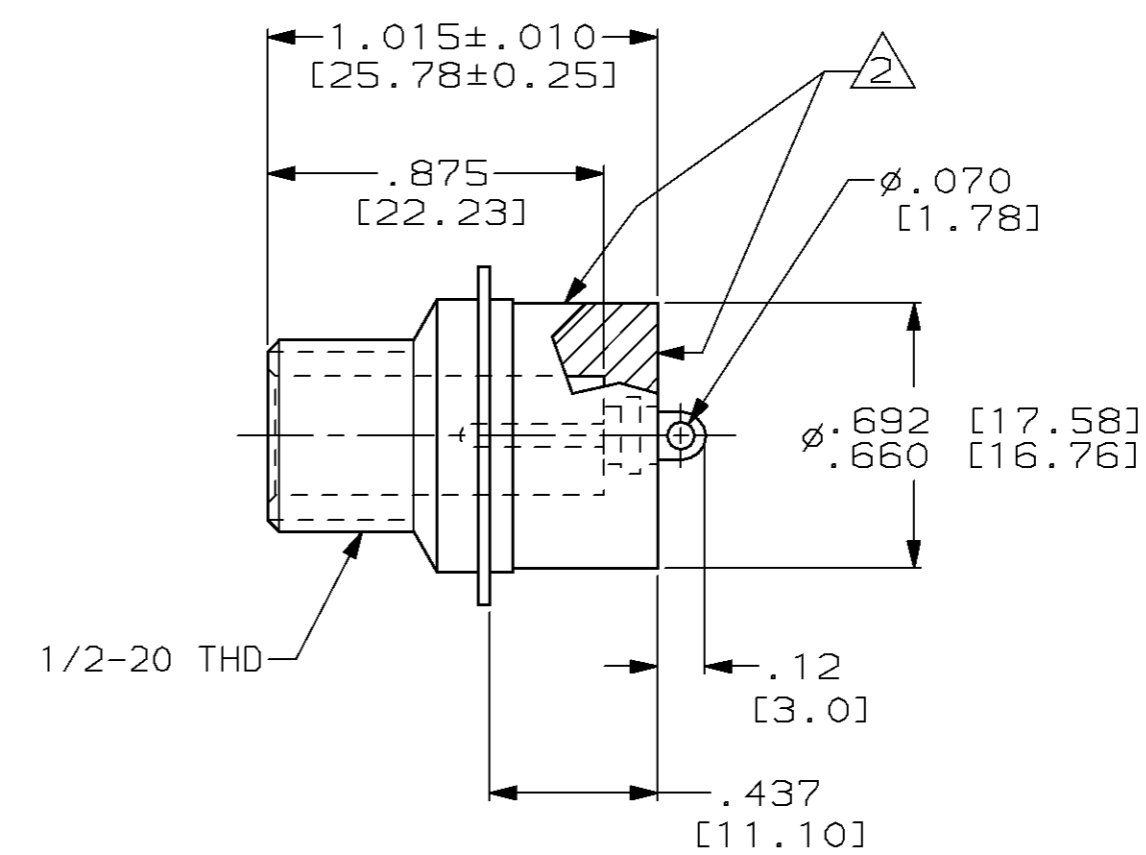
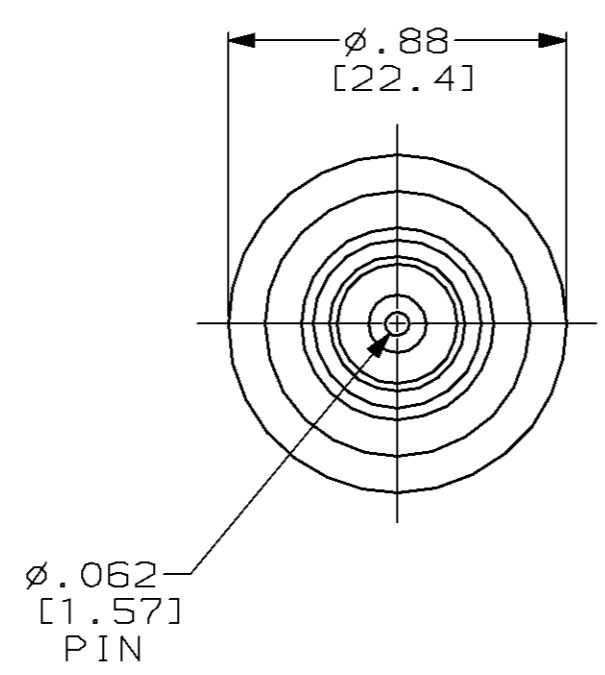


THIS DRAWING IS UNPUBLISHED. RELEASED FOR PUBLICATION ,19 .
 © COPYRIGHT 19 BY AMP INCORPORATED. ALL RIGHTS RESERVED.

LOC	DIST	REVISIONS			
P	LTR	DESCRIPTION	DATE	DWN	APVD
DF	SO	D	REV & REDRAWN; 0600-5527-96	7-96	CT SG



- 1. THIS IS A HERMETICALLY SEALED RECEPTACLE.
- 2. MOLDED AREA BELOW FLANGE IS SANDBLASTED.

REMARKS	DISCRIPTION	PART NUMBER
OBSOLETE	GOLD PLATED PIN; TIN PLATED FLANGE	862401-2
-	TIN PLATED PIN & FLANGE	862401-1

THIS DRAWING IS A CONTROLLED DOCUMENT.		DWN C.C. THOMAS 7-17-96	AMP AMP Incorporated Harrisburg, PA 17105-3608
		CHK S. GLATFELTER 8-1-96	
		APVD S. GLATFELTER 8-1-96	NAME
		PRODUCT SPEC	RECEPTACLE ASSY, FLANGED, LGH-1
		APPLICATION SPEC	
		WEIGHT	
		CUSTOMER DRAWING	
		SCALE	2:1
		SHEET	1 OF 1
		REV	D

DIMENSIONS, INCHES [mm]	TOLERANCES UNLESS OTHERWISE SPECIFIED.
	0 PLC ±-
	1 PLC ±-
	2 PLC ±.01 [0.3]
	3 PLC ±.005 [0.13]
	4 PLC ±-
	ANGLES ±-
MATERIAL	FINISH