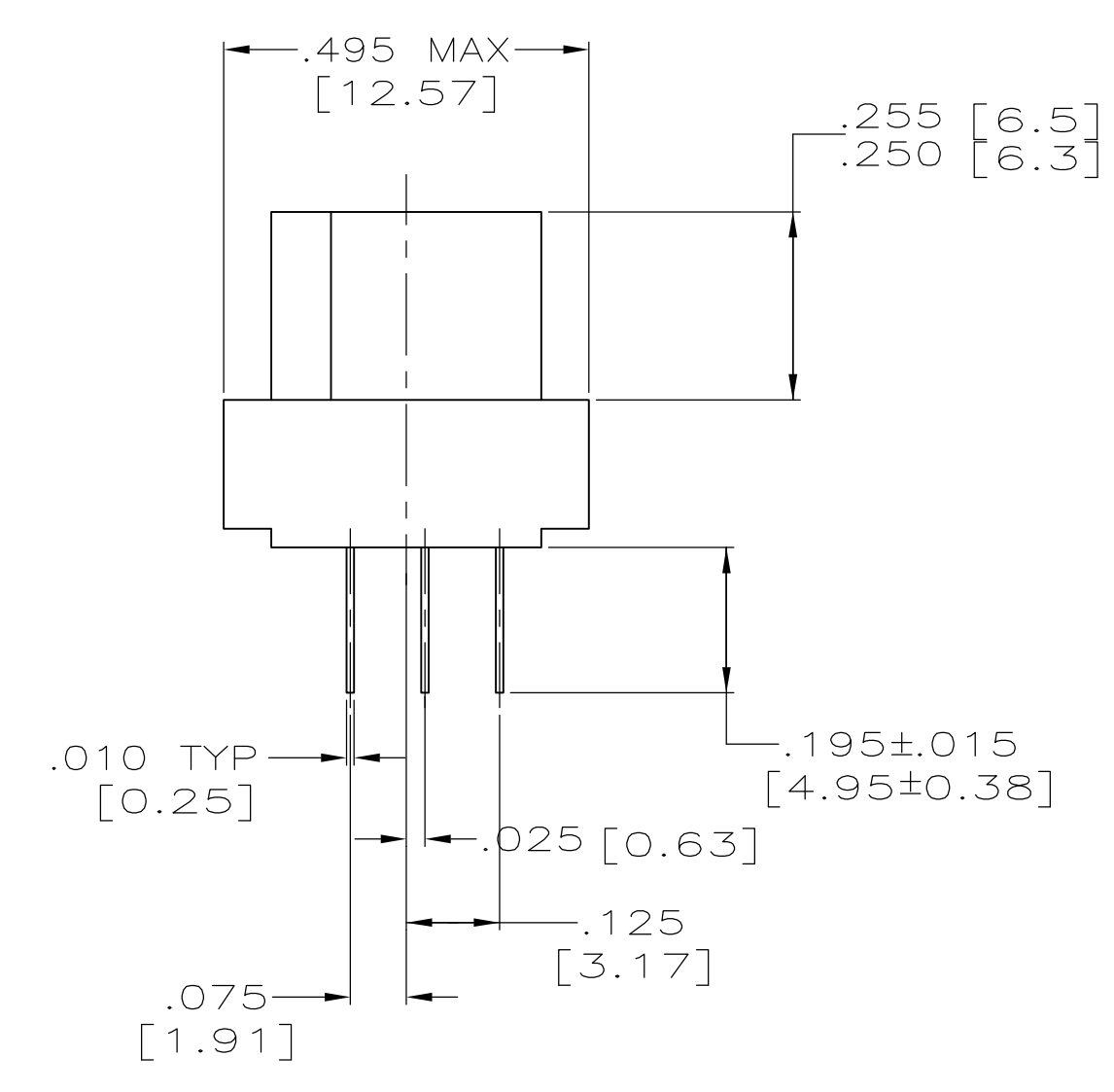
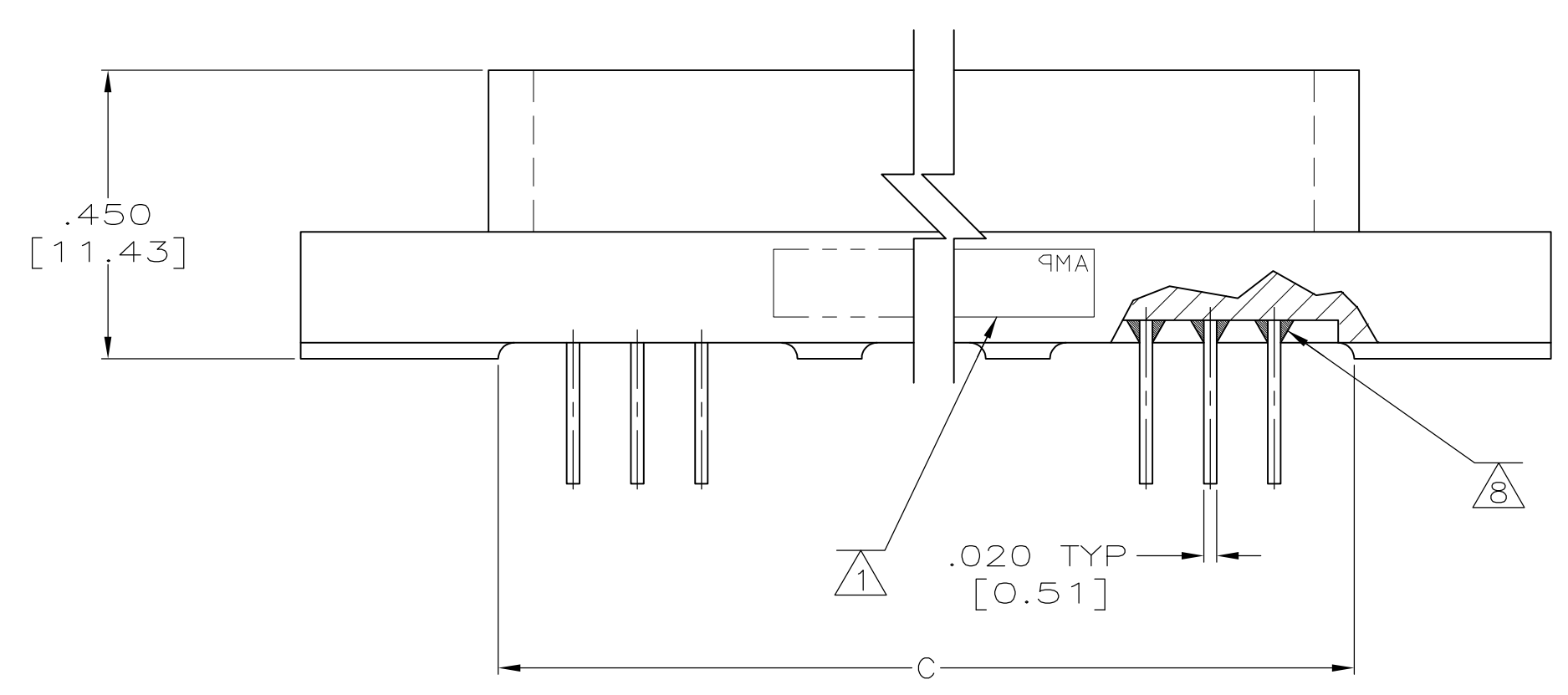


RECOMMENDED P.C. BOARD LAYOUT



- ▲ MILITARY PART NO., 00779, DATE CODE, PART NO. AND AMP MARKED ON OPPOSITE SIDE.
- ▲ HOUSING MAT'L: POLYPHENYLENE SULFIDE, GST-40F PER MIL-M-24519. COLOR: BROWN.
- ▲ CONTACT MAT'L: BERYLLIUM COPPER PER ASTM B194 OR COPPER-NICKEL-SILICON PER UNS-C70260.
- ▲ CONTACT FINISH: .000050" [0.00127] GOLD IN CONTACT AREA, .000100" [0.0025] TIN-LEAD ON SOLDER TAILS OVER .000030 [0.00076] NICKEL ON ENTIRE CONTACT.
- ▲ LETTERS INDICATING OUTSIDE ROWS AND NUMBERS INDICATING END CAVITIES MARKED ON THIS SURFACE.
- 6. MEETS ALL REQUIREMENTS OF MIL-C-55302.
- ▲ LINES INDICATING EVERY FIVE CAVITIES MARKED ON MATING FACE EXCEPT END CAVITIES STARTING AT POSN. #1.
- ▲ EPOXY SEALANT ADDED TO PREVENT WICKING OF FLUX OR CONFORMAL COATING INTO THE CONTACT ENGAGEMENT AREA.

M55302/130-38	6.400 [162.56]	64	6.524 [165.71]	6.625 [168.27]	6.950 [176.53]	7.250 [184.15]	195	1-446853-0
M55302/130-26	4.400 [111.76]	44	4.524 [114.91]	4.625 [117.47]	4.950 [125.73]	5.250 [133.35]	135	446853-9
M55302/130-44	7.900 [200.66]	79	8.024 [203.81]	8.125 [206.37]	8.450 [214.63]	8.750 [222.25]	240	446853-8
M55302/130-41	6.900 [175.26]	69	7.024 [178.41]	7.125 [180.97]	7.450 [189.23]	7.750 [196.85]	210	446853-7
M55302/130-35	5.900 [149.86]	59	6.024 [153.01]	6.125 [155.57]	6.450 [163.83]	6.750 [171.45]	180	446853-6
M55302/130-32	5.400 [137.16]	54	5.524 [140.31]	5.625 [142.87]	5.950 [151.13]	6.250 [158.75]	165	446853-5
M55302/130-29	4.900 [124.46]	49	5.024 [127.61]	5.125 [130.17]	5.450 [138.43]	5.750 [146.05]	150	446853-4
M55302/130-23	3.900 [99.06]	39	4.024 [102.21]	4.125 [104.77]	4.450 [113.03]	4.750 [120.65]	120	446853-3
M55302/130-20	3.400 [86.36]	34	3.524 [89.51]	3.625 [92.07]	3.950 [100.33]	4.250 [107.95]	105	446853-2
M55302/130-17	2.900 [73.66]	29	3.024 [76.81]	3.125 [79.37]	3.450 [87.63]	3.750 [95.25]	90	446853-1
MILITARY P/N	F	E	D	C	B	A	POSN	PART NO

THIS DRAWING IS A CONTROLLED DOCUMENT.

DIMENSIONS: INCHES	TOLERANCES UNLESS OTHERWISE SPECIFIED:	DRAWN: C.C. THOMAS 5-10-90	CHK: D. MILLER 5-22-90	APPROD: D. MILLER 5-22-90	NAME: D. MILLER	PRODUCT SPEC: ---	APPLICATION SPEC: ---	SIZE: A1	CAGE CODE: 00779	DRAWING NO: 446853	RESTRICTED TO: ---
0 PLC ± -	1 PLC ± -	2 PLC ± -	3 PLC ± .005 [0.13]	4 PLC ± -	ANGLES ± -	FINISH: ---	WEIGHT: ---	CUSTOMER DRAWING	SCALE: 4:1	SHEET: 1 of 1	REV: D

Tyco Electronics Corporation  
 Harrisburg, PA 17105-3608

BOX RECEPTACLE ASS'Y, .100 C/L, 3-ROW, SEALED, .010 X .020 SOLDER TAIL, .025 OFFSET