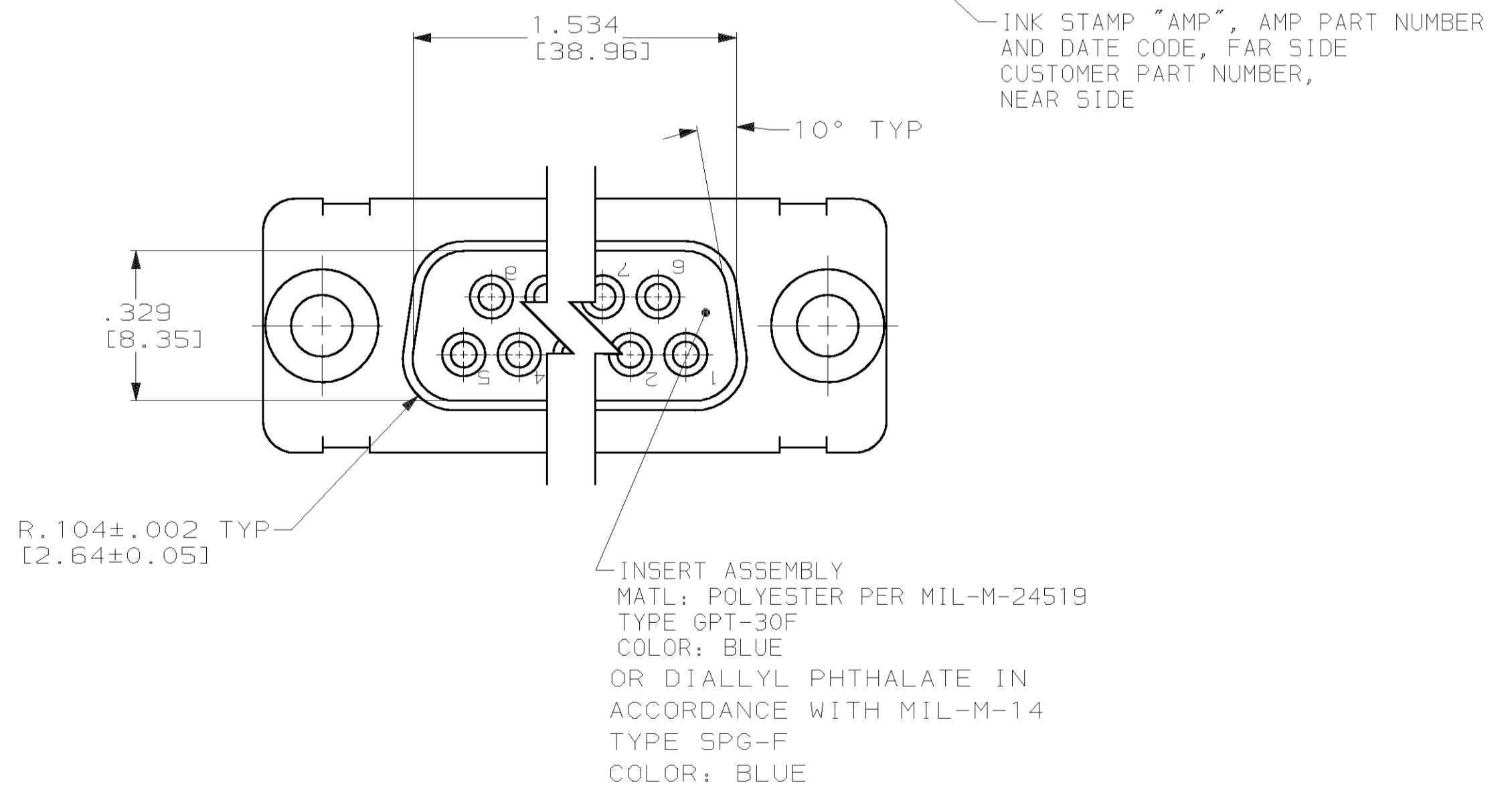
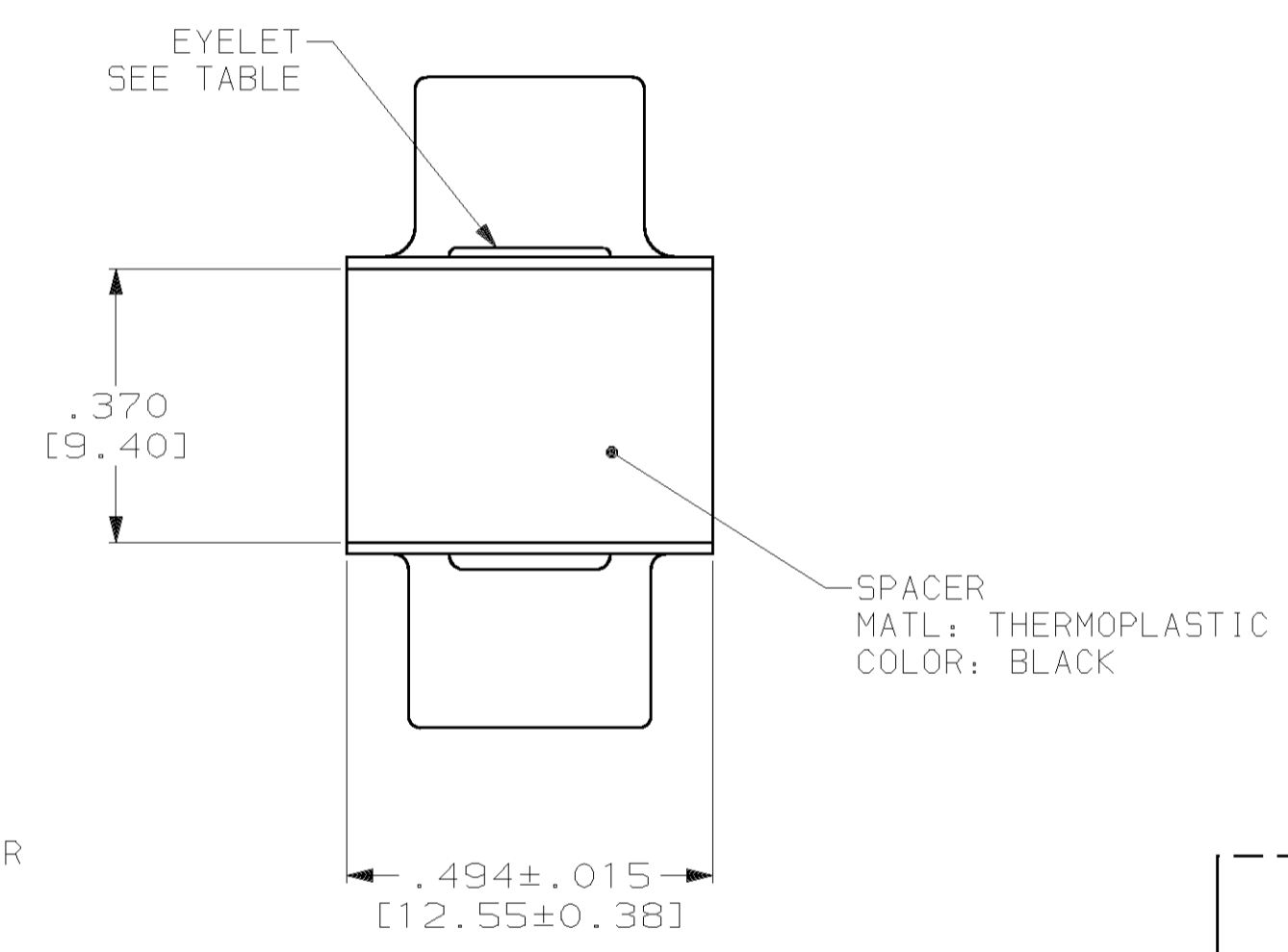
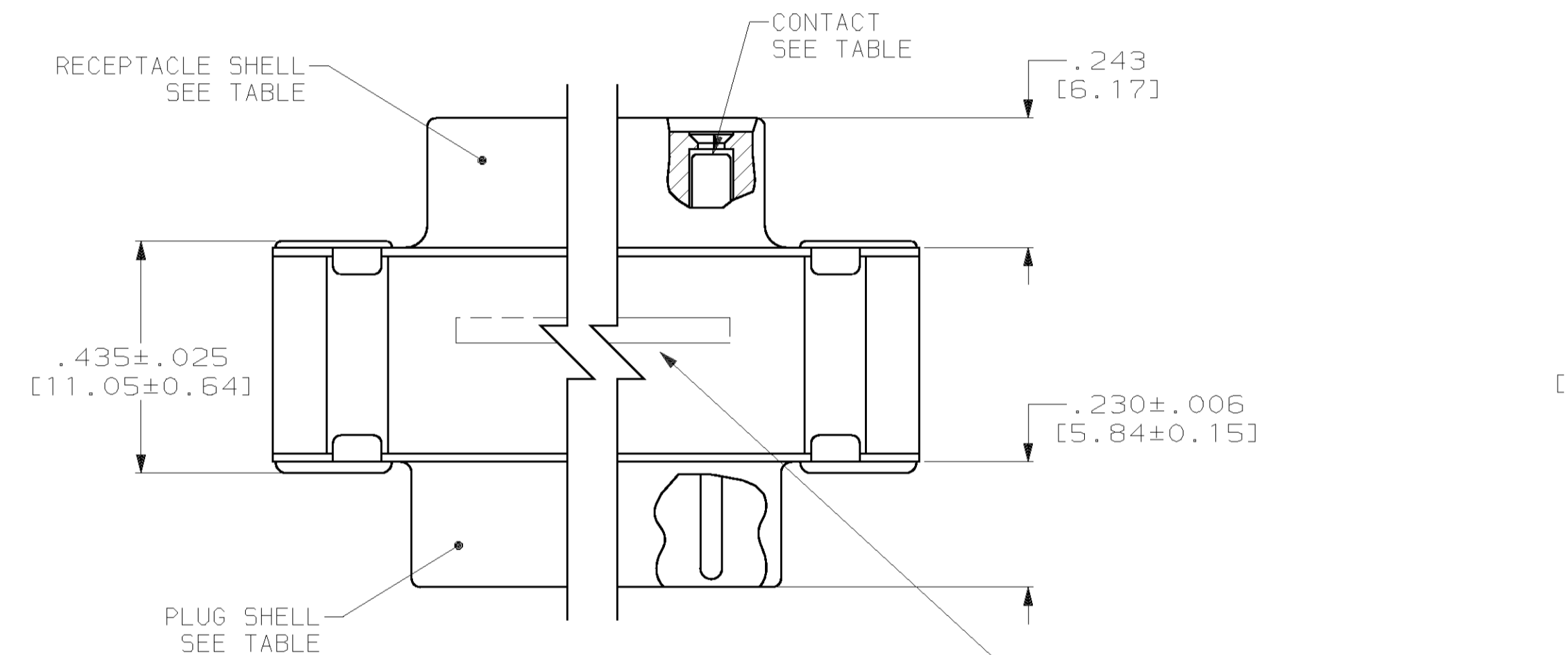
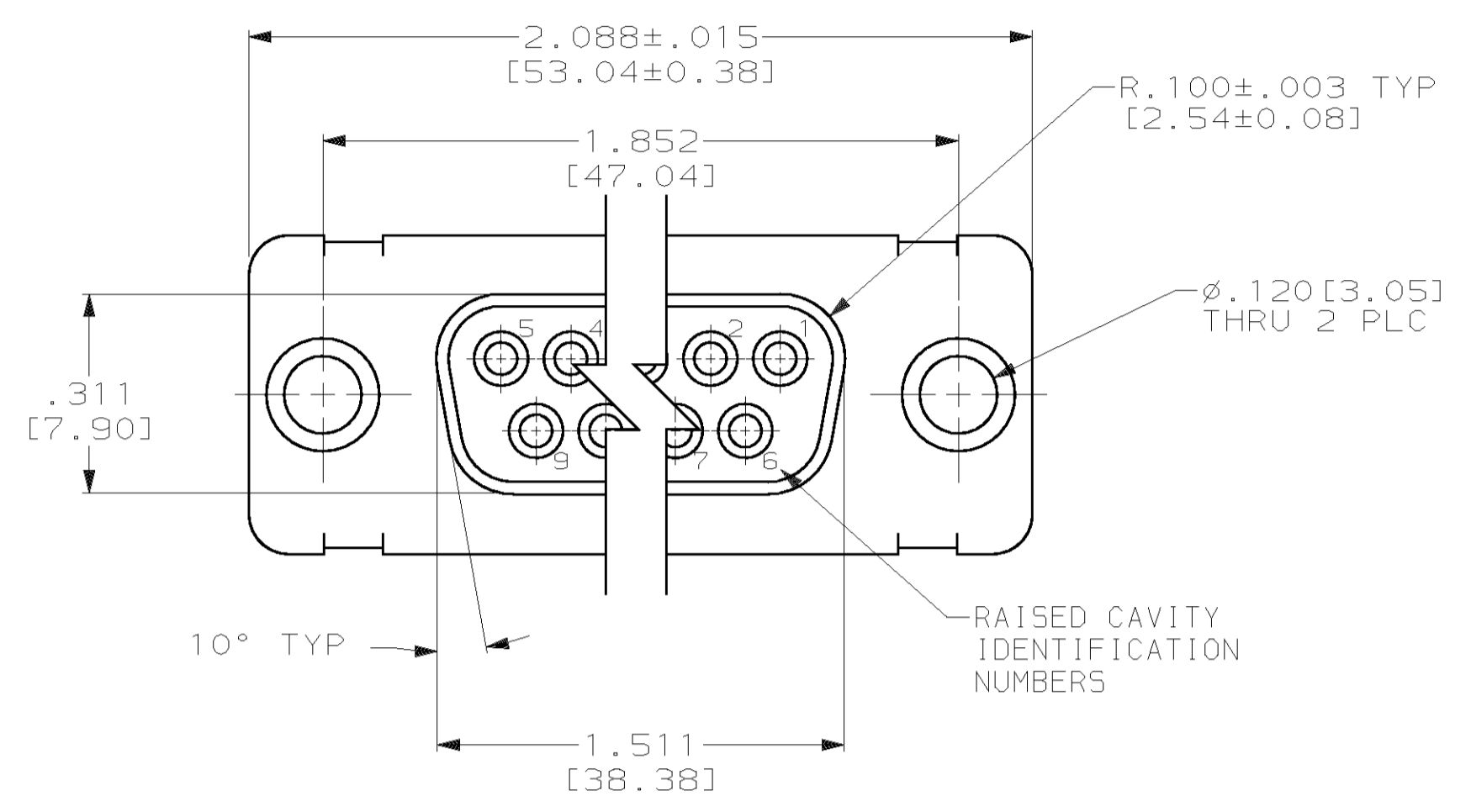
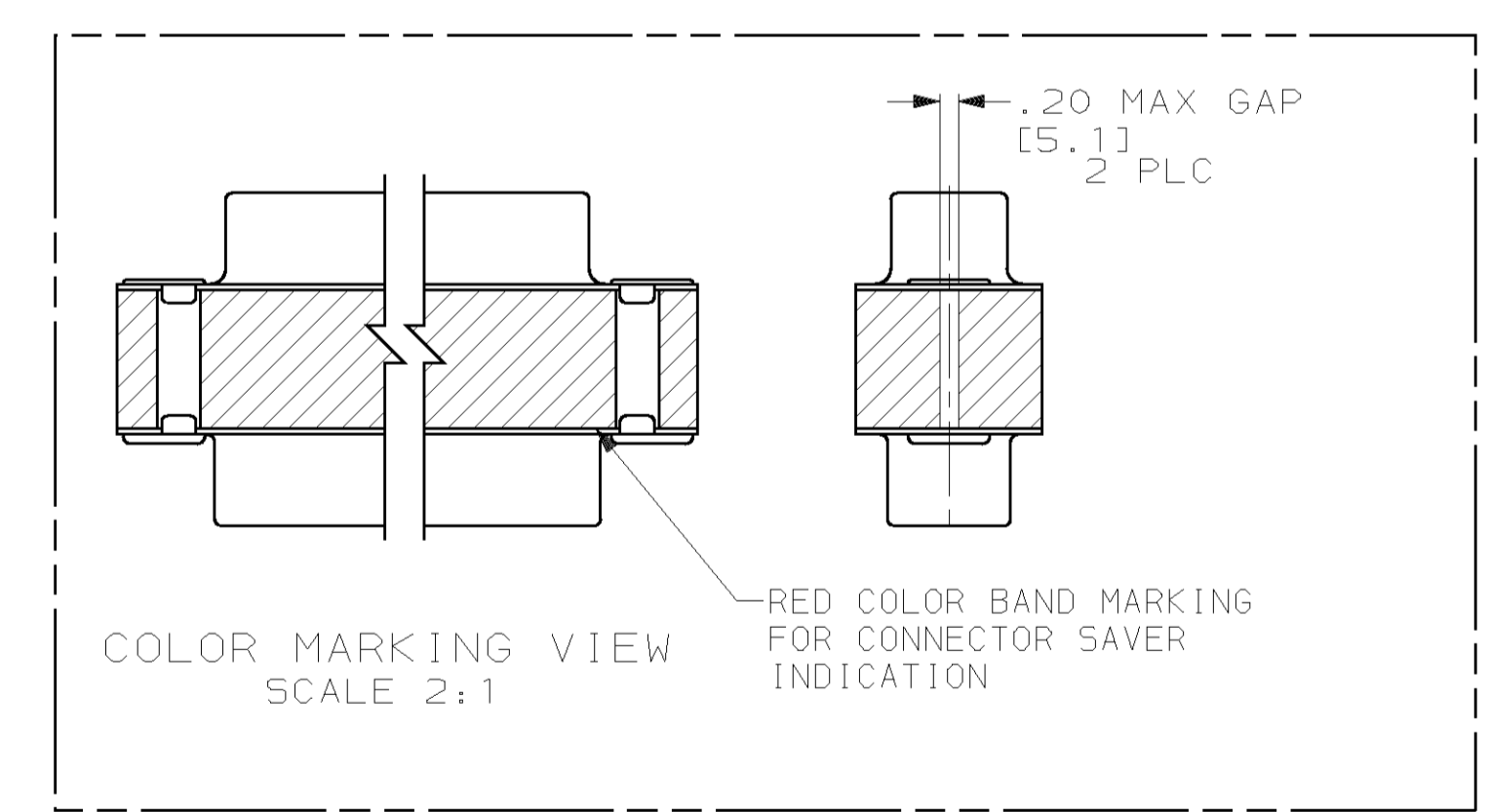


LOC		DIST		REVISIONS			
DF	DO	TR	LYR	DESCRIPTION	DATE	OWN	APVD
		C		REV PER 0630-320-01	5-02	CT	DM
		D		REV PER 0630-0619-02	7-03	JMK	LO



- CONTACTS INCLUDED IN ASSEMBLY.
- CONTACT  
 BODY MATL: BERYLLIUM COPPER PER ASTM-B-197.  
 BODY FINISH: PLATED GOLD, .000050 MIN THK PER MIL-G-45204 OVER NICKEL, .000050 MIN THK PER QQ-N-290.  
 HOOD MATL: STAINLESS STEEL PER ASTM-A-167.  
 HOOD FINISH: PASSIVATED PER ASTM-A-380
- MATL: BRASS PER ASTM-B-36.
- FINISH: PLATED GOLD, .000050 MIN THK PER MIL-G-45204 OVER COPPER, .000100 MIN THK PER MIL-C-14550.



3/4	3/4	2	4U884 SOCN R10002677-0003	1218305-2
3/4	3/4	2	(1J02-003)	1218305-1
EYELET	SHELLS	CONTACT	CUSTOMER P/N	PART NO.

THIS DRAWING IS A CONTROLLED DOCUMENT.		I. THOMPSON 19AU098		AMP Incorporated	
DIMENSIONS: IN (mm)		CHK: J. NORTON 19AU098		Harrisburg, PA 17105-3608	
TOLERANCES UNLESS OTHERWISE SPECIFIED:		APVD: J. NORTON 19AU098		NAME: AMPLIMITE CONNECTOR SAVER	
0 PLC	±.005	PRODUCT SPEC		SERIES 109, SIZE 3, 25 POS	
1 PLC	±.005	APPLICATION SPEC		NON-REMOVABLE CONTACTS	
2 PLC	±.005	SIZE		A1	
3 PLC	±.005 (0.13)	CAGE CODE		00779	
4 PLC	±.005	DRAWING NO		1218305	
ANGLES	±.005	RESTRICTED TO		-	
MATERIAL		WEIGHT		-	
FINISH		CUSTOMER DRAWING		SCALE 4:1 SHEET 1 OF 1 REV D	