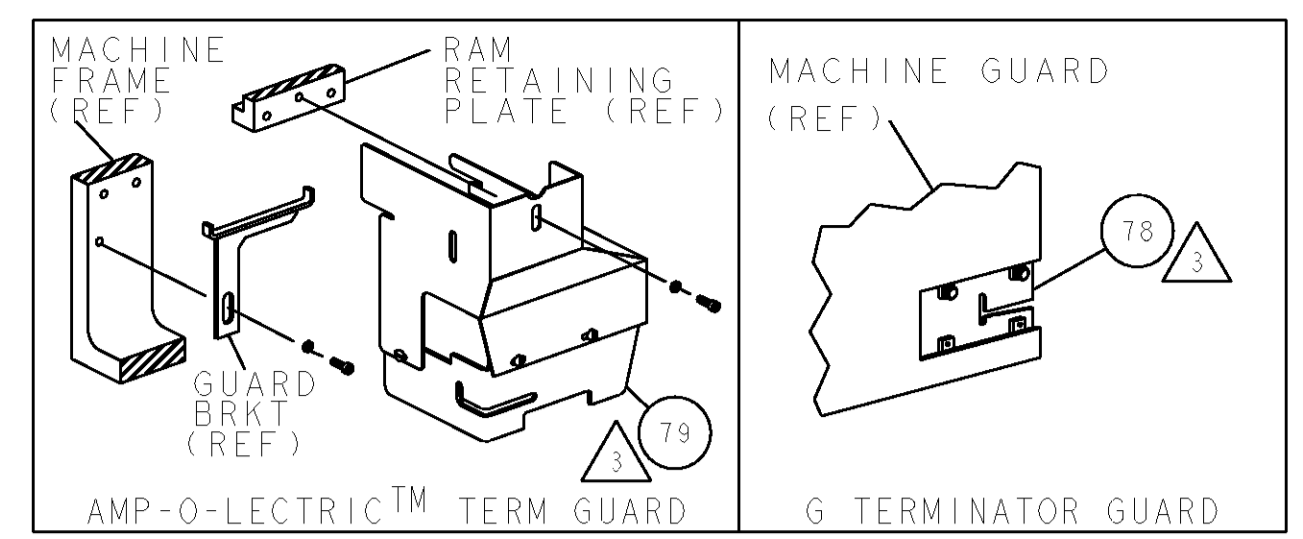


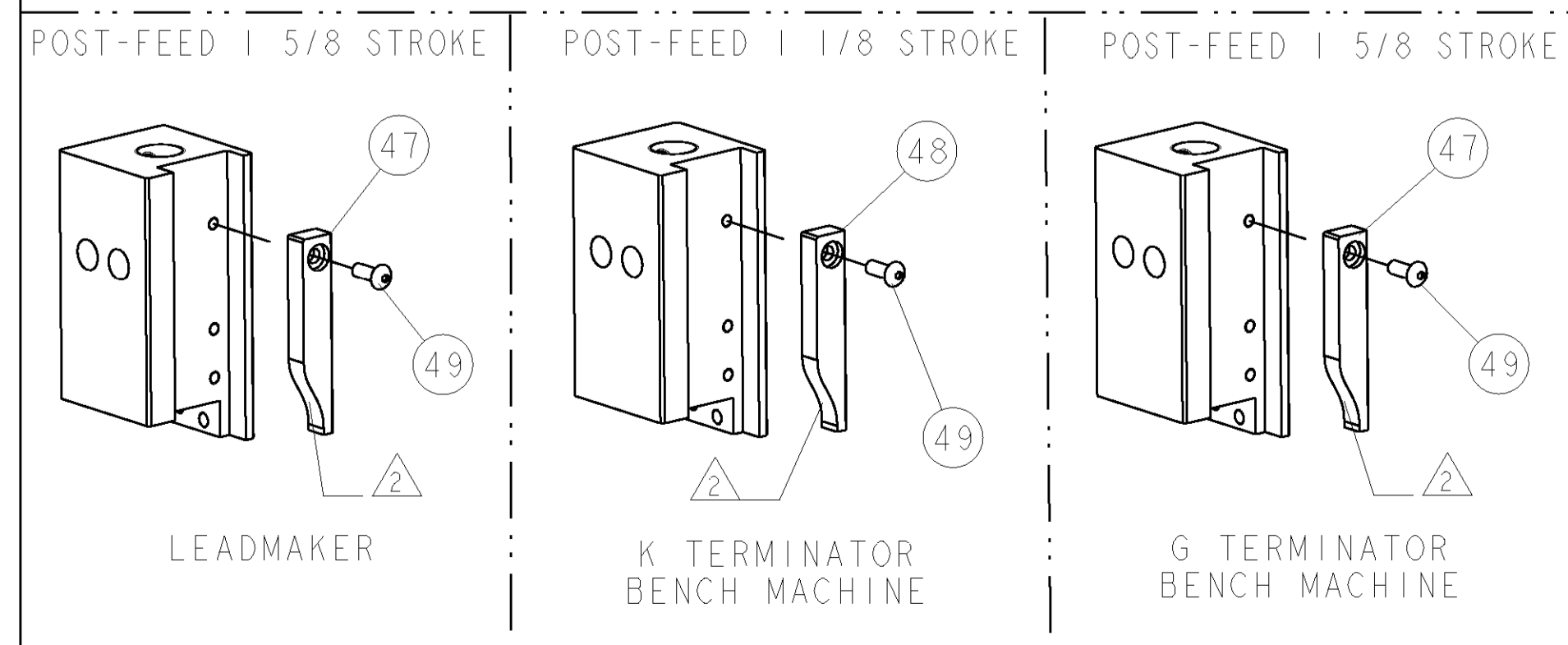
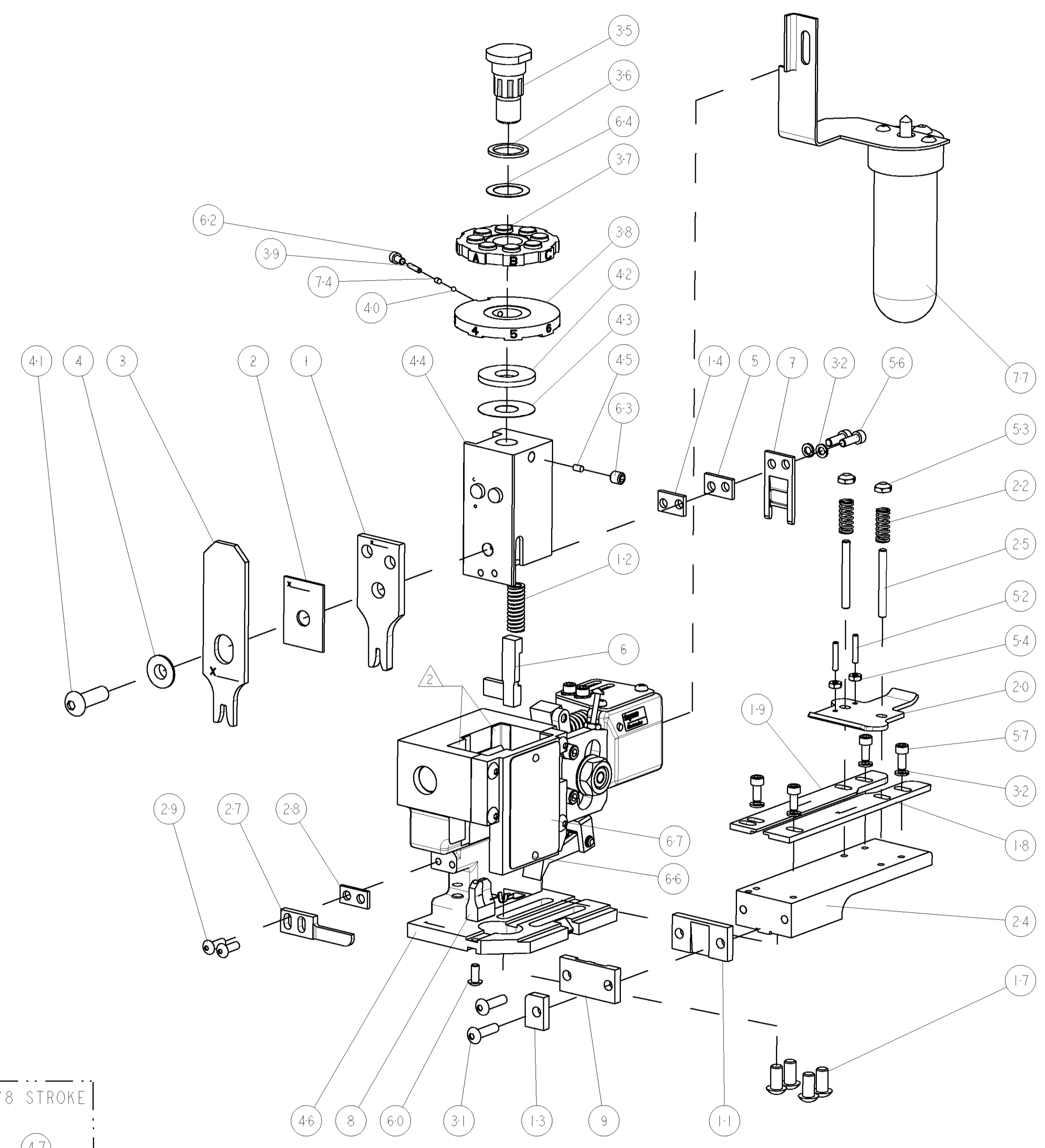
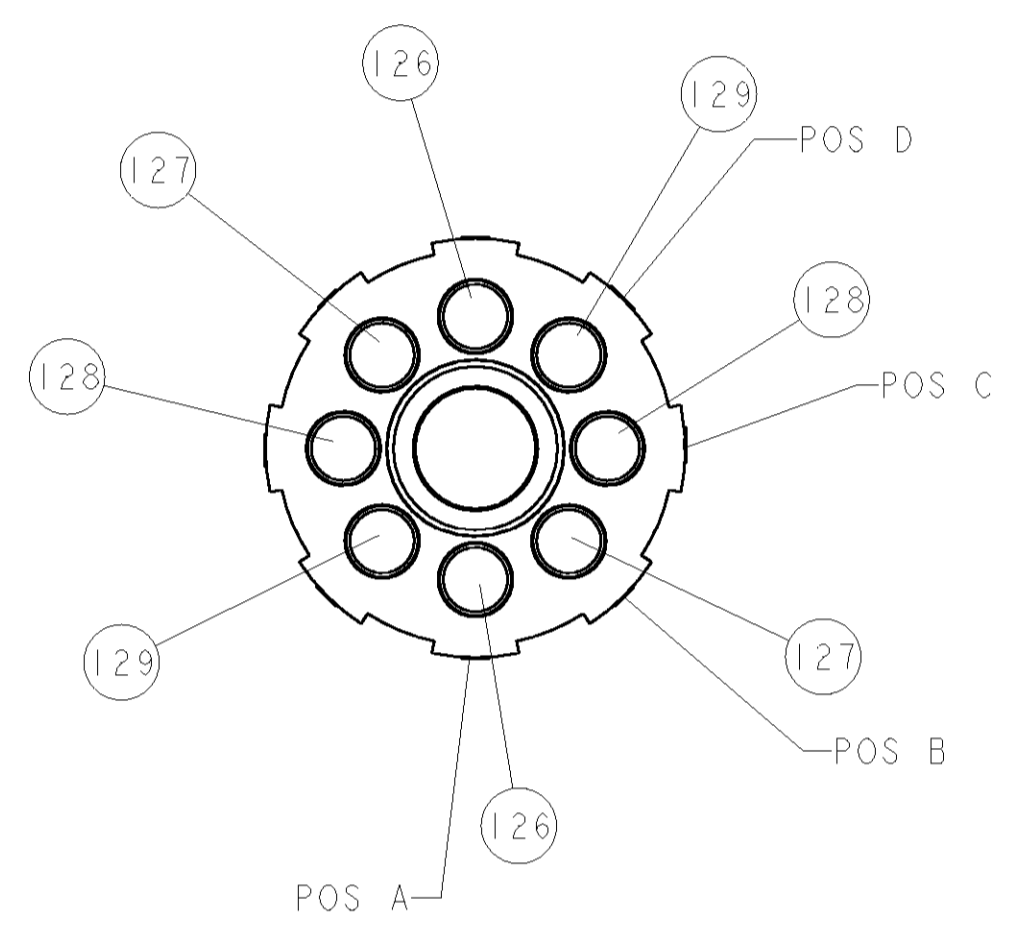
PART NUMBER	REV	FIRST USED	POWER UNIT	FEED TYPE
1852258-1	A	122500-1	LEADMAKER & BENCH MODEL G	POST FEED
1852258-2	A	565435-5	BENCH MODEL K	POST FEED
7-1852258-7	A	-	SPARE PARTS	-

- △ RECOMMENDED SPARE PARTS
- △ GREASE LIGHTLY
- △ GUARD MUST BE IN PLACE WHEN OPERATING APPLICATOR IN A BENCH MACHINE



TERMINAL NAME: RING AMPLIVAR			
60319	-	AMP TERMINAL - AMP CRIMP SPECS	
60321	-		
	PAD LTR	CRIMP HEIGHT	WIRE SIZE
-	A	.057±.002[1.45±0.05mm]	19 AWG
-	B	.055±.002[1.40±0.05mm]	20 AWG
-	C	.053±.002[1.35±0.05mm]	21 AWG
-	D	.048±.002[1.22±0.05mm]	23 AWG
		CRIMP SIZE	TYPE RANGE
-	-	.090 [2.29mm]	F 23-19AWG
-	-	.155 [3.94mm]	F ∅.100-.140
WIRE STRIP LENGTH	TERM APPL SPEC	FEED	APPL INSTRUCTIONS SET UP GAGE
-	114-2084	.898	408-8039 458638-1

LOC	DIST	REV	DESCRIPTION	DATE	DWN	APPR
A	66		RELEASED	06JUN2006	ROW	TE



-	2	2	-	4-354779-4	PIN, WIRE DISC, .3210	129
-	2	2	-	3-354779-0	PIN, WIRE DISC, .3140	128
-	2	2	-	2-354779-6	PIN, WIRE DISC, .3120	127
-	2	2	-	2-354779-1	PIN, WIRE DISC, .3095	126
-	REF	-	-	455745-1	GUARD WINDOW	79
-	-	REF	-	679532-1	INSERT, GUARD	78
-	1	-	-	465184-9	LUBRICATOR ASSY	77
-	1	1	-	690603-1	SPRING ASSIST AMP-O-MATOR APPLICATOR	74
-	1	1	-	217238-1	GENERAL INSTRUCTION PKG	72
-	1	1	-	4088039	EF APPL INST 408-8039	71
-	1	1	-	461264-1	PLATE, IDENTIFICATION	67
-	2	2	-	21017-2	SCREW, DRIVE	66
-	1	1	-	986950-1	WASHER, FLAT PRECISION	64
-	1	1	-	21009-2	SCR, SET, SELF LOCKING 1/4-20 X .250	63
-	1	1	-	23030-1	SCR, SKT HD CAP 6-32 X .25	62
-	1	1	-	22733-8	SCR, BHSC, SELF-LOCKING, 8-32 X .375	60
-	4	4	-	2-21000-6	SCR, SKT HD CAP 8-32 X .375	57
-	2	2	-	2-21000-7	SCR, SKT HD CAP 8-32 X .500	56
-	2	2	-	21018-4	NUT, HEX, REG 4-40	54
-	2	2	-	21022-2	NUT, LOCK, HEX, TORQUE, 8-32	53
-	2	2	-	2-21006-6	SCR, SET, CUP POINT 4-40 X .625	52
-	1	1	-	1-21002-7	SCR, BTN SKT CAP 6-32 X .375	49
-	1	-	-	690501-3	CAM, POST FEED, 1 1/8	48
-	-	1	-	690501-4	CAM, POST FEED, 1 5/8	47
-	1	1	-	458980-1	SUB ASSY, APPLICATOR FRAME	46
-	1	1	-	690191-1	PLUG, NYLON	45
-	1	1	-	455674-1	RAM	44
-	1	1	-	690125-1	SHIM SUB-ASSY	43
-	1	1	-	690124-1	WASHER, RAM (.115)	42
-	1	1	-	7-21002-9	SCR, BTN SKT HD CAP 5/16-24 X 1.00	41
-	1	1	-	23241-6	BALL, STEEL	40
-	1	1	-	690170-1	SPRING, COMPRESSION	39
-	1	1	-	690142-1	DISC, INSULATION	38
-	1	1	-	354777-1	WIRE DISC, ASSEMBLY	37
-	1	1	-	22480-5	SPRING, COMPRESSION	36
-	1	1	-	690212-1	POST, RAM	35
-	6	6	-	21024-4	WASHER, SPRG LOCK, REG NO 8	32
-	2	2	-	2-21002-9	SCR, BTN SKT HD CAP 10-32 X .750	31
-	2	2	-	2-21002-2	SCR, BTN SKT HD CAP 8-32 X .500	29
-	1	1	-	3-690451-7	SPACER, STRIPPER	28
-	1	1	-	240639-1	STRIPPER (MACHINING)	27
-	2	2	-	22354-8	STUD, THREADED	25
-	1	1	-	455678-1	PLATE, STRIP GUIDE	24
-	2	2	-	4-22281-1	SPRING, DRAG	22
-	1	1	-	454177-1	DRAG	20
-	1	1	-	1-458030-5	STRIP GUIDE, REAR	19
-	1	1	-	1-458031-5	STRIP GUIDE, FRONT	18
-	4	4	-	3-21002-3	SCR, BTN SKT HD CAP 1/4-20 X .500	17
-	1	1	-	8-240641-6	SPACER	14
-	1	1	-	690481-4	SPACER, HOLD DOWN	13
-	1	1	-	23846-1	SPRING, DIE	12
-	1	1	-	240644-1	PLATE, REAR SHEAR	11
-	1	1	-	690482-8	PLATE, FRONT SHEAR	9
-	1	1	-	2-459866-6	ANVIL, COMBINATION	8
-	1	1	-	1-690474-0	BLADE, SLUG	7
-	1	1	-	3-455892-4	HOLD DOWN, TERMINAL	6
-	1	1	-	240641-9	SPACER	5
-	1	1	-	238009-1	BLOCK, FL CRIMPER SPACER	4
-	1	1	-	3-456134-6	CRIMPER, INSULATION F PREMIUM	3
-	1	1	-	1-455888-1	SPACER, CRIMPER	2
-	1	1	-	4-456406-2	CRIMPER, WIRE PREMIUM	1

U/M	PART NO	DESCRIPTION	ITEM NO
-77	-2	-1	

DIMENSIONS: INCHES 0 PLC ±.01 1 PLC ±.01 2 PLC ±.01 3 PLC ±.001 4 PLC ±.001 ANGLES ±.0001		TOLERANCES UNLESS OTHERWISE SPECIFIED: ±.01 ±.01 ±.001 ±.001 ±.0001	
MATERIAL		FINISH	
WEIGHT		SCALE 3:5	
CUSTOMER DRAWING		SHEET 1 OF 1	

DWN: R. O. WILSON 27APR2006 CHK: R. O. WILSON 27APR2006 APVD: J. ELBIN 01MAY2006	tyco Tyco Electronics Harrisburg, PA 17105-3608
PRODUCT SPEC: END FEED HDM APPLICATOR	
SIZE: CAGE CODE: DRAWING NO: 00779 C=1852258	
RESTRICTED TO: A	