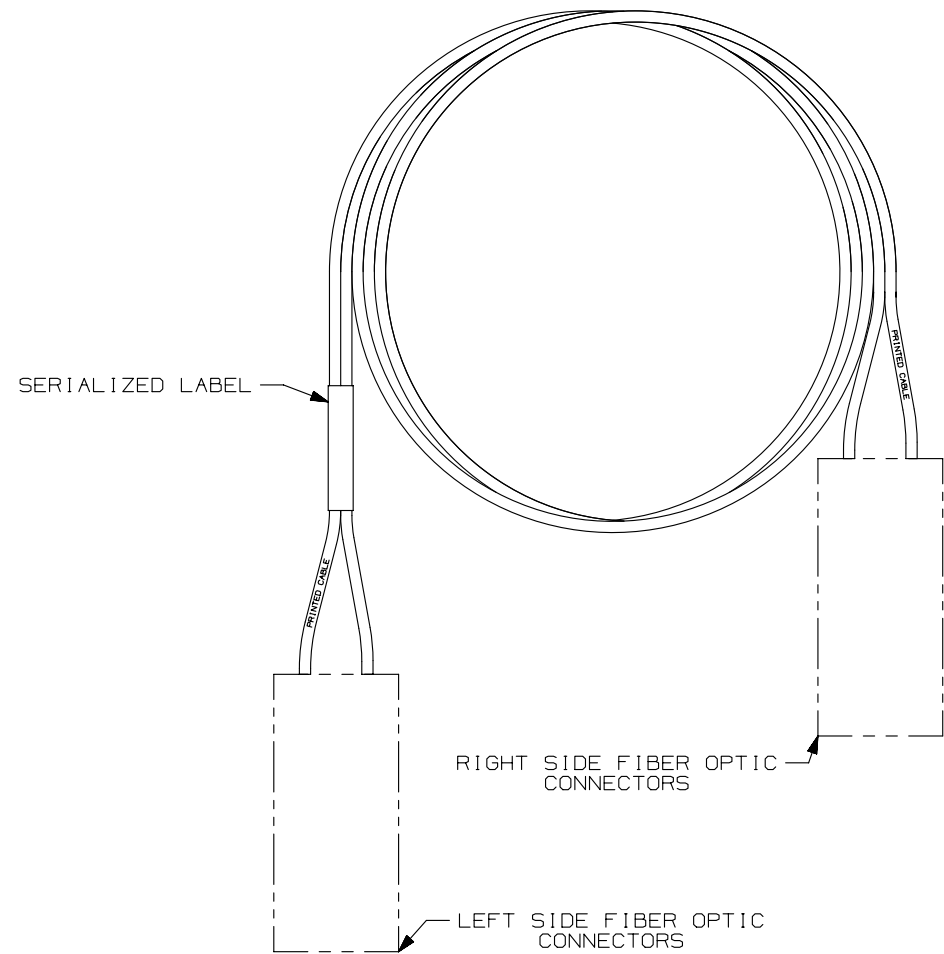
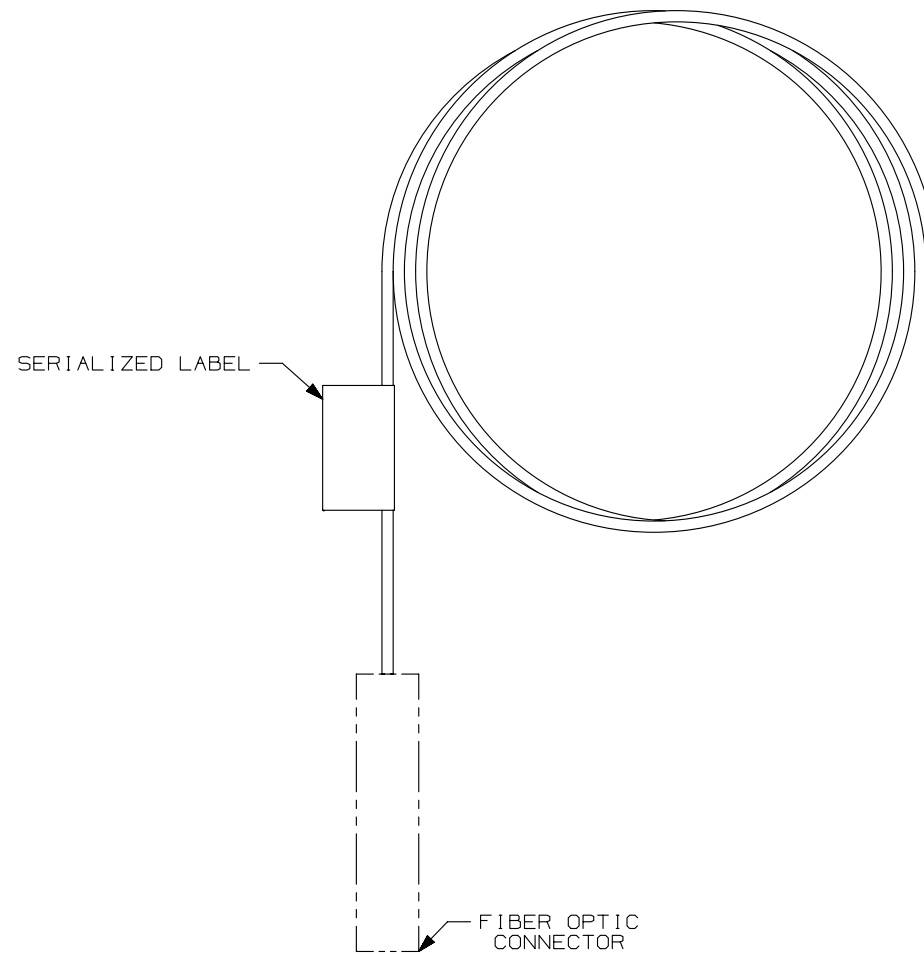


- NOTES:
- CABLE ASSEMBLY (WITH CONNECTORS):
 - SEE SHEET 2 FOR PART NUMBER MATRIX.
 - CANNOT BE LESS THAN THE LENGTH SPECIFIED IN THE PART NUMBER.
 - THE MAXIMUM CABLE LENGTH IS NOT TO EXCEED 10cm (4") OVER SPECIFIED LENGTH FOR LESS THAN 10 METER; AND +1%/-0% GREATER THAN 10 METERS.
 - TIP TO TIP LENGTH IS MEASURED WITHOUT DUST CAPS INSTALLED.
 - PATCHCORD ROUTING CONFIGURATION IS "A" TO "B".
 - THIS DRAWING SHALL BE APPLICABLE TO ANY LENGTH PATCHCORD AS DESIGNATED BY THE PART NUMBER, WHERE M=METER.
 - TECHNICAL SPECIFICATIONS:
 - OPERATING TEMPERATURE RANGE IS FROM -10°C TO +60°C.
 - CONNECTORS ARE 'FOCIS' COMPLIANT.
 - CABLE ASSEMBLIES COMPLY WITH THE REQUIREMENTS OF T1A/E1A-568-C.3 OR EQUIVALENT IEC STANDARDS.
 - ALL MATERIALS AND COMPONENTS USED MUST MEET THE MATERIAL RESTRICTIONS OF RoHS, (EUROPEAN DIRECTIVE 2011/65/EC ON THE RESTRICTION OF HAZARDOUS SUBSTANCES) AS PROPOSED BY THE RoHS TECHNICAL ADAPTATION COMMITTEE.
 - PACKAGING:
 - CABLE ASSEMBLY SHIPPED WITH DUST CAPS INSTALLED.
 - UNIT QUANTITY: 1 PATCHCORD/PIGTAIL PER BAG.



FOR 1.6mm/1.8mm/3.0mm DUPLEX PATCHCORD CABLE ASSEMBLIES



FOR 900µm SIMPLEX PIGTAIL CABLE ASSEMBLIES

CONNECTOR INSERTION/RETURN LOSS SPECIFICATIONS					
CONNECTOR TYPE	MAXIMUM INSERTION LOSS (PER CONNECTOR)		MINIMUM RETURN LOSS (PER CONNECTOR)		
	SM PC	MM PC	SM PC	MM PC	MM PC (OM3)
NETKEY LC	0.30dB	0.30dB	50dB	20dB	26dB
NETKEY SC	0.30dB	0.30dB	50dB	20dB	26dB
NETKEY ST	0.30dB	0.30dB	50dB	20dB	26dB

							TITLE NETKEY PATCHCORDS AND PIGTAILS CUSTOMER DRAWING					
							ITEM REVISION NAME M01302DD/00					
							DATASET FILE NAME M01302DD_DC/00A					
							UNLESS OTHERWISE SPECIFIED, DIMENSIONAL TOLERANCES ARE: IN [mm] .x : .03 [.762] .xxx : .005 [.127] .xx : .01 [.25] ANGLES ± 1°					
							THIRD ANGLE PROJECTION					
00	06-05-14	SAT	JGD	RWB	RELEASED TO PRODUCTION		M01302DD-DC		PART NUMBER SEE SHEET 2			
							DRAWING NUMBER: M01302DD-DC					
REV	DATE	BY	CHK	APR	DESCRIPTION	ECN	DRAWN BY SAT	DATE 06-05-14	CHK JGD	SCALE NONE	SHT 1 OF 2	SIZE B

