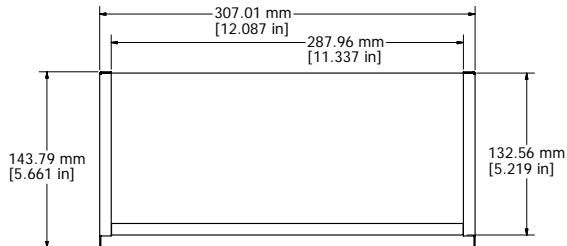
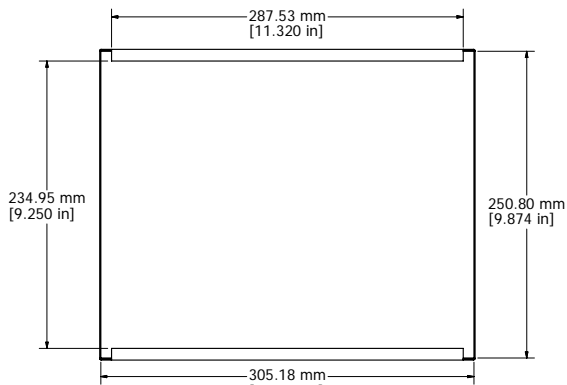


TOP VIEW OF ASSEMBLY

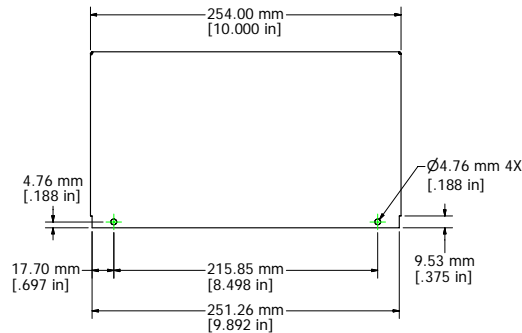


SIDE VIEW OF ASSEMBLY

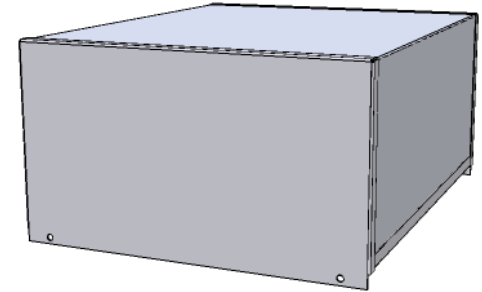
.91 mm  
[.036 in]  
TYP. MATERIAL  
THICKNESS



BOTTOM VIEW OF ASSEMBLY



END VIEW OF ASSEMBLY



**Note:**

Enclosures can be Factory Modified ( Milling, Drilling, Printing etc. )  
 Contact Factory [mjm@hammondmfg.com](mailto:mjm@hammondmfg.com) for quotes  
 Solid models of this enclosure available in STEP or IGES Format.

<b>1451-29</b>
Material: 20ga. Welded Steel, Gray color
Cover: Perforated Steel
Screws: 4 Supplied (#6-32 X 1/4" self tap)
For use with 1441 and 1444 series chassis.



**HAMMOND  
MANUFACTURING™**

**1451-29**

[www.hammondmfg.com](http://www.hammondmfg.com)