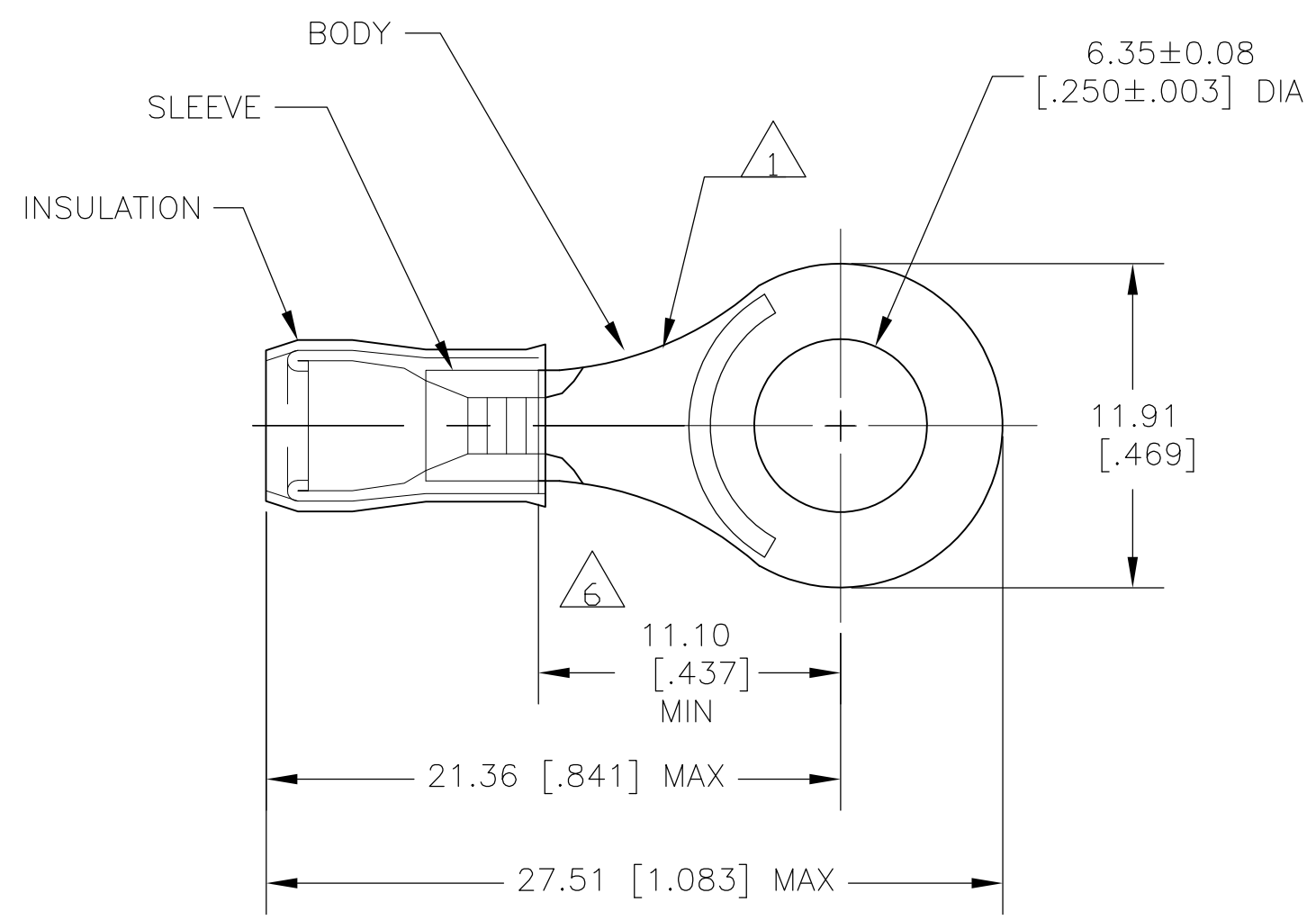


THIS DRAWING IS UNPUBLISHED. RELEASED FOR PUBLICATION
 © COPYRIGHT BY TYCO ELECTRONICS CORPORATION. ALL RIGHTS RESERVED.

LOC	DIST	REVISIONS					
		P	LTR	DESCRIPTION	DATE	DWN	APVD
G	14		K	REV PER ECR 07-027324	12NOV07	JR	TM



- △1 STAMP AMP 16-14* APPROX AS SHOWN
- 2 WIRE INSULATION DIA: 2.9-4.3 [.115-.170]
- 3 TONGUE MATERIAL THK: 0.78±0.05 [.031±.002]
- △4 BODY & SLEEVE: TIN PLATE PER ASTM B545,
- △5 BODY & SLEEVE- CU PER ASTM B152
INSULATION - NYLON, COLOR - BLUE
- △6 APPLIES FROM EDGE OF METAL WIRE BARREL TO CENTER OF STUD HOLE.

OBSOLETE	-5000	ON TAPE	2-130118-1
	1000	LOOSE PIECE	130118
	QTY	PACKAGE TYPE	PART NO

AMP INCORPORATED CUSTOMER SERVICE SYSTEMS		MAX RECOMMENDED OPERATING TEMPERATURE: 150°C MAX	THIS DRAWING IS A CONTROLLED DOCUMENT.		DWN JR RUTH 12NOV07 CHK T MICHELUTTI 12NOV07 APVD T MICHELUTTI 12NOV07	Tyco Electronics Tyco Electronics Corporation Harrisburg, Pa 17105-3608		
		VOLTAGE RATING: -	DIMENSIONS: MM [INCHES]	TOLERANCES UNLESS OTHERWISE SPECIFIED: 0 PLC ± - 1 PLC ± - 2 PLC ± - 3 PLC ± - 4 PLC ± - ANGLES ± -	PRODUCT SPEC - APPLICATION SPEC - WEIGHT -		NAME TERMINAL, RING TONGUE, P.I.D.G. WIRE SIZE: 16-14 AWG	
FOR ADDITIONAL PRODUCT INFORMATION OR COPIES OF DRAWINGS AND TECHNICAL DOCUMENTS PRODUCT INFORMATION CENTER 1-800-522-6752	FOR APPLICATION TOOLING ASSISTANCE CENTER TOOLING INFORMATION 1-800-722-1111	CIRCULAR MIL AREA: 1.04-2.62mm² [2,050-5,180] STRANDED	MATERIAL - △5	FINISH - △4	SIZE A3	CAGE CODE 00779	DRAWING NO C-130118	RESTRICTED TO -
FOR ORDER ENTRY 1-800-526-5142	THIS DRAWING IS A CONTROLLED DOCUMENT FOR AMP INCORPORATED. IT IS SUBJECT TO CHANGE AND THE CONTROLLING ENGINEERING ORGANIZATION SHOULD BE CONTACTED FOR THE LATEST REVISION.		CUSTOMER DRAWING		SCALE 4:1	SHEET 1 OF 1	REV K	