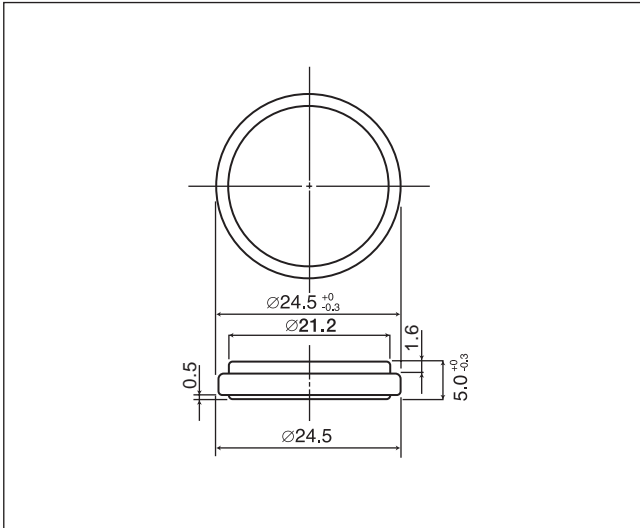


## BR2450A/ \*\*

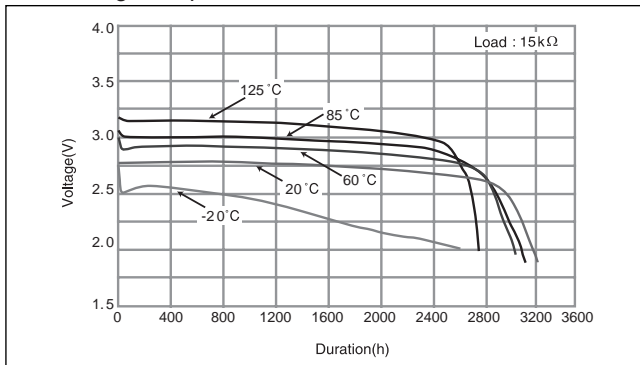
### ■ Dimensions(mm)



### ■ Specification

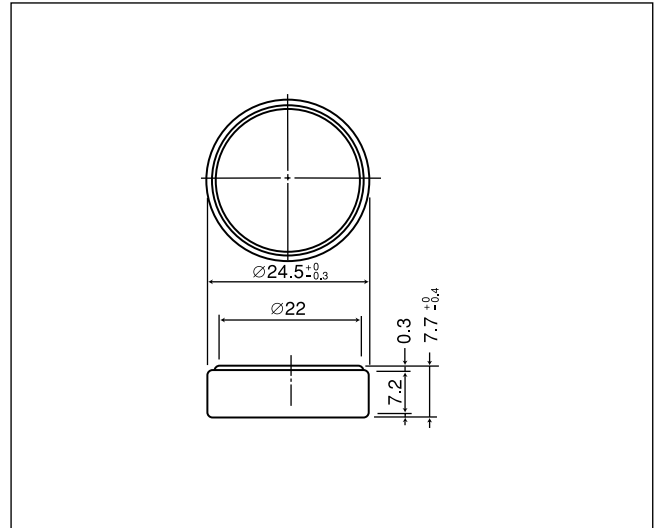
|                           |             |
|---------------------------|-------------|
| Nominal voltage(V)        | 3           |
| Nominal capacity(mAh)     | 550         |
| Continuous drain(mA)      | 0.03        |
| Operating temperature(°C) | -40 to +125 |

### ■ Discharge temperature characteristics



## BR2477A/ \*\*

### ■ Dimensions(mm)



### ■ Specification

|                           |             |
|---------------------------|-------------|
| Nominal voltage(V)        | 3           |
| Nominal capacity(mAh)     | 1,000       |
| Continuous drain(mA)      | 0.03        |
| Operating temperature(°C) | -40 to +125 |

### ■ Discharge temperature characteristics

