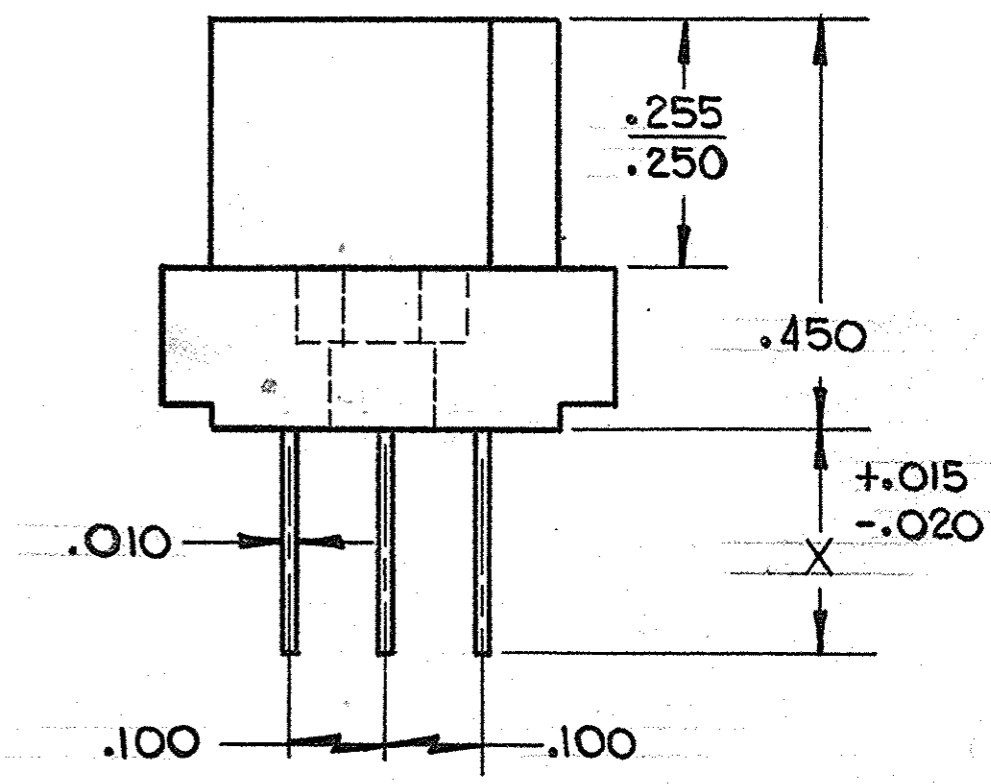
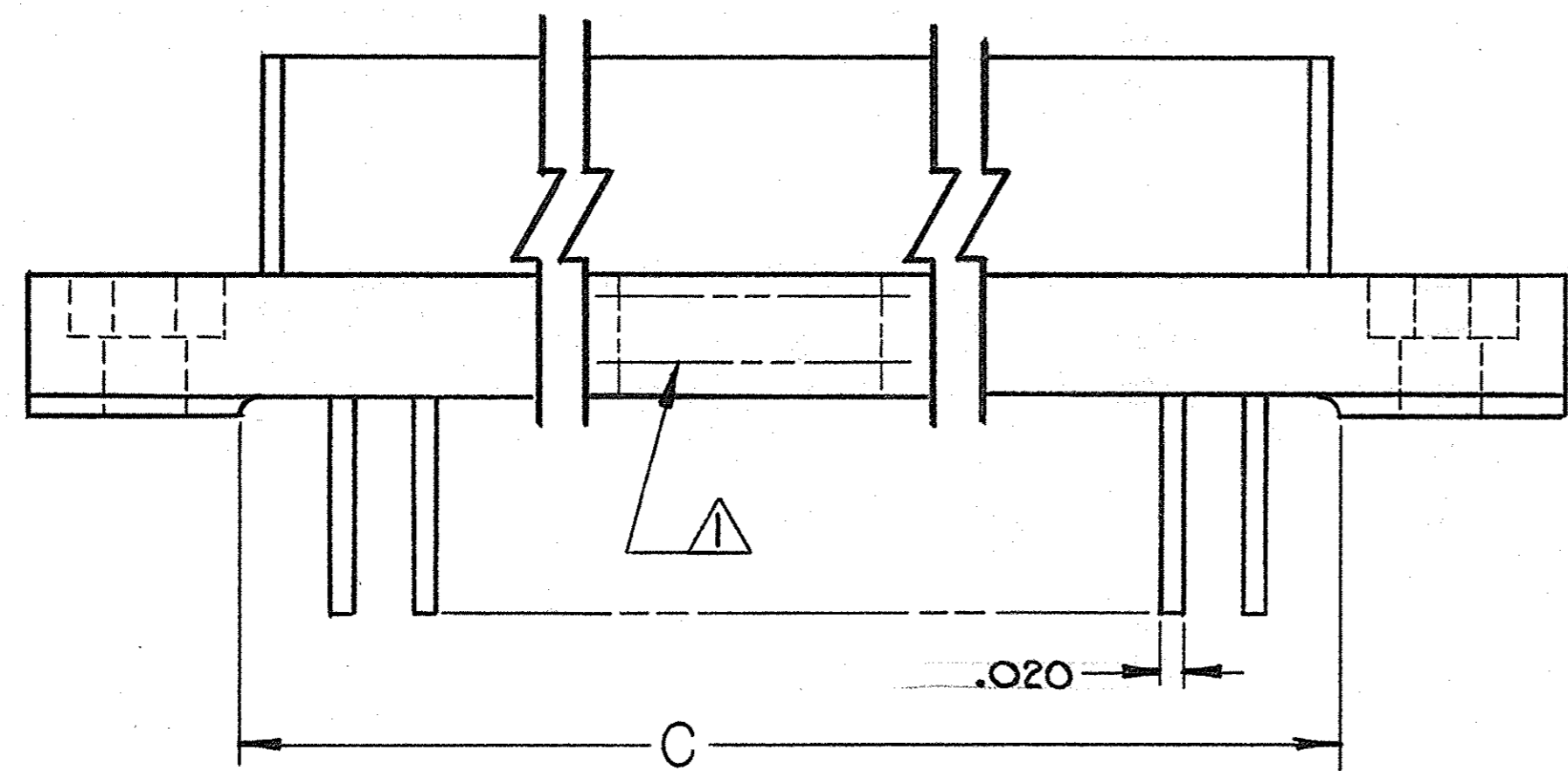
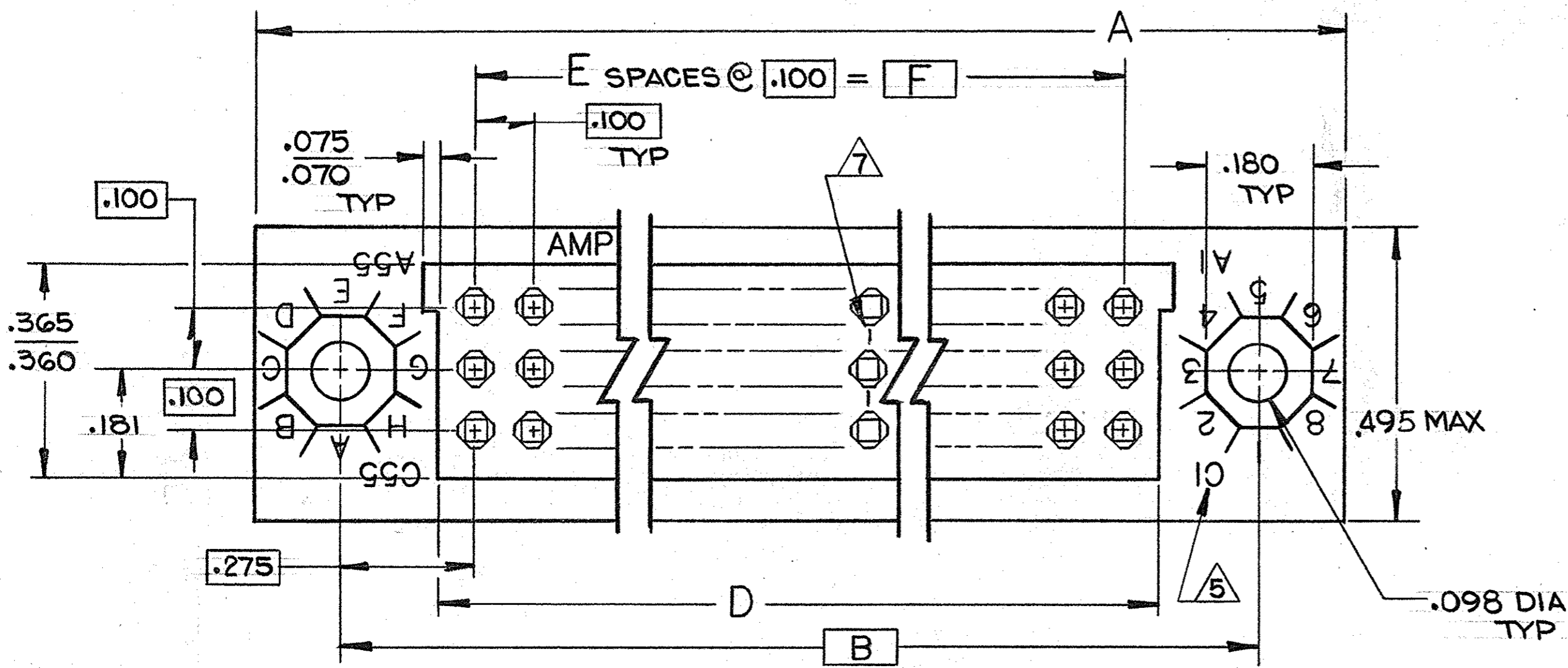


THIS DRAWING IS UNPUBLISHED. RELEASED FOR PUBLICATION, 1983
 © COPYRIGHT 1983 BY AMP INCORPORATED, HARRISBURG, PA. ALL INTERNATIONAL RIGHTS RESERVED. AMP PRODUCTS MAY BE COVERED BY U.S. AND FOREIGN PATENTS AND/OR PATENTS PENDING.

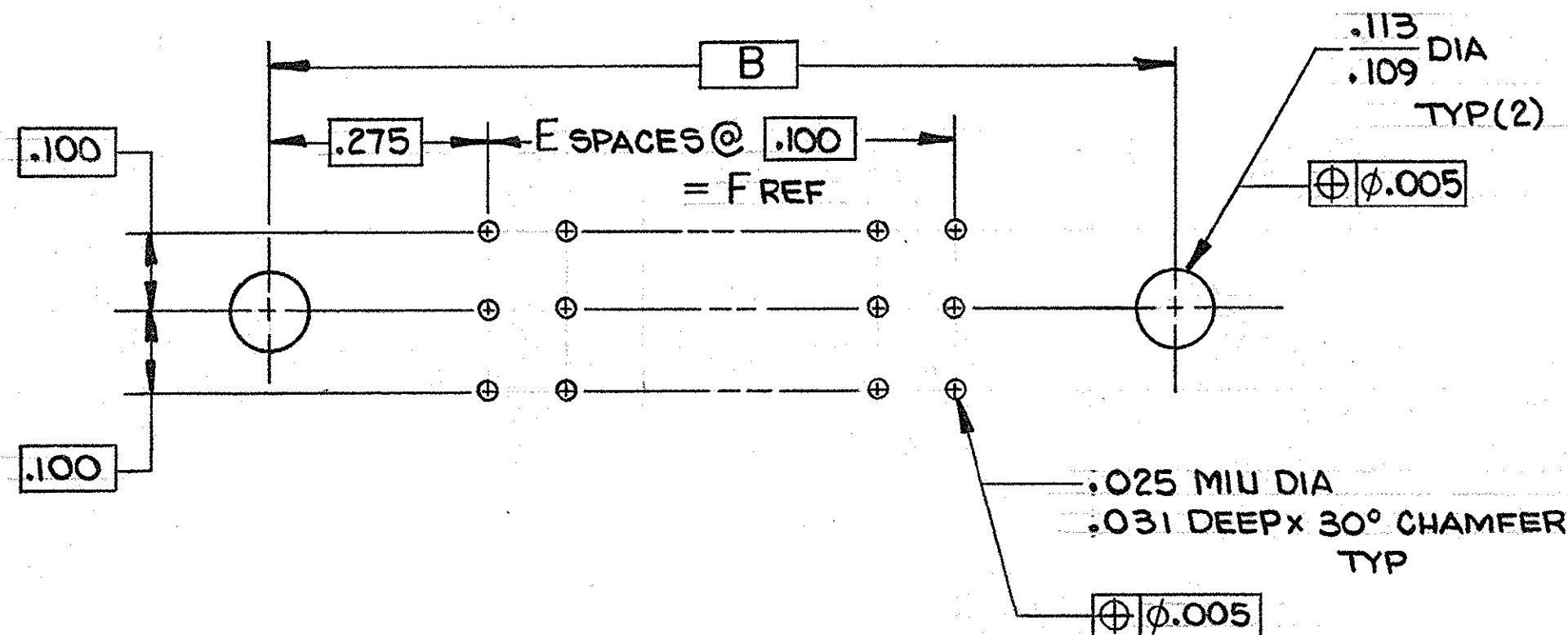
REVISIONS					
P	F	ZONE	LTR	DESCRIPTION	DATE APPROVED
				0 WAS 5085-945	
01	✓			REV. ECN 8578	db 7-20-83 PME/let
02	✓			REVISED: ECN A80501	RFB 10-8-84 EAM
03	✓			REV DIMS AB-1594	db 5-86 EAM
✓	✓		A	REV PER DF 0179 OBS-1520 DF 0777 2P AS	9-88 T.W.
✓	✓		B	REV. PER ECN DF-1696	N.F. 6-89 DWM
✓	✓		C	REACTIVATE -2, -5, -11 PER DF-3050	3/83 DWM
✓	✓		D	REV PER DF-6974	TA 3/83 DWM
✓	✓		E	REV 0600-5641-96	TT 9-97 DWM
✓	✓		F	REV PER ECO-05-0132 89	11-05 PY



UNLESS OTHERWISE SPECIFIED DIMENSIONS ARE IN INCHES. TOLERANCES ON: DECIMALS ±.010 ANGLES ±		CONTRACT NO DR IRSHAFFNER 5-31-83 CHK 6-2-83 E.A. McDougle APPD 6-2-83 E.A. McDougle APPD 6-2-83 E.T. Parsons		PART NO	
MATERIAL 2 3		DSGN APPD		AMP AMP INCORPORATED Harrisburg, Pa. 17105	
FINISH 4		OTHER APPD		NAME RECEPTACLE ASSEMBLY, .100 C, 3 ROW WITH MOUNTING EARS, BOX CONTACT, .010 X .020 POST	
		SIZE C	FSCM NO 00779	DRAWING NO 532786	
		SCALE 5-1		SHEET 1 OF 2	

THIS DRAWING IS UNPUBLISHED. RELEASED FOR PUBLICATION, 19
 © COPYRIGHT 1983 BY AMP INCORPORATED, HARRISBURG, PA. ALL INTERNATIONAL RIGHTS RESERVED. AMP PRODUCTS MAY BE COVERED BY U.S. AND FOREIGN PATENTS AND/OR PATENTS PENDING.

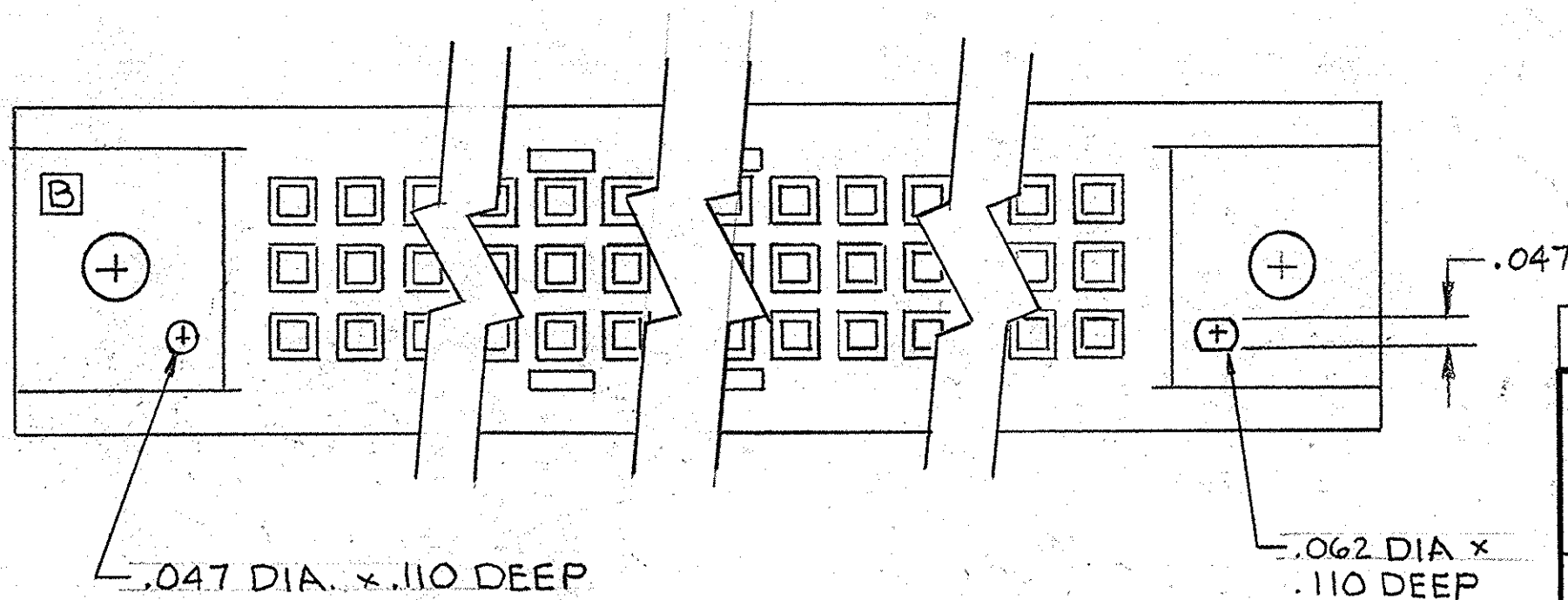
REVISIONS						
P.	F.	ZONE	LTR	DESCRIPTION	DATE	APPROVED
			F	SEE SHEET 2		



P.C. BOARD LAYOUT

- 1 AMP, DATE CODE AND PART NUMBER MARKED THIS AREA
- 2 HOUSING MATERIAL: POLYPHENYLENE SULFIDE GST-40F PER MIL-M-24519.
- 3 CONTACT MATERIAL: BERYLLIUM COPPER OR COPPER-NICKEL-SILICONE
- 4 CONTACT FINISH: .000050 GOLD OVER .000030 NICKEL.
- 5 LETTERS INDICATING OUTSIDE ROW AND NUMBERS INDICATING END CAVITIES MARKED THIS SURFACE.
- 6 MIL-C-55302 GROUP "A" INSPECTION REQUIRED.
- 7 LINES INDICATING EVERY FIVE CAVITIES MARKED ON MATING FACE.
- 8 "OBSOLETE PART NUMBER"

▲	.310	6.500	65	6.624	6.725	7.050	7.350	198	1-532786-5			
▲	.235	6.400	64	6.524	6.625	6.950	7.250	195	1-532786-4			
▲		4.400	44	4.524	4.625	4.950	5.250	135	1- -3			
▲		3.600	36	3.724	3.825	4.150	4.450	111	1- -2			
▲		1.900	19	2.024	2.125	2.450	2.750	60	1- -1			
▲		4.100	41	4.224	4.325	4.650	4.950	126	1- -0			
▲		4.000	40	4.124	4.225	4.550	4.850	123	-9			
▲		7.900	79	8.024	8.125	8.450	8.750	240	-8			
▲		6.900	69	7.024	7.125	7.450	7.750	210	-7			
▲		5.900	59	6.024	6.125	6.450	6.750	180	-6			
▲		5.400	54	5.524	5.625	5.950	6.250	165	-5			
▲		4.900	49	5.024	5.125	5.450	5.750	150	-4			
▲		3.900	39	4.024	4.125	4.450	4.750	120	-3			
▲		3.400	34	3.524	3.625	3.950	4.250	105	-2			
▲	.235	2.900	29	3.024	3.125	3.450	3.750	90	532786-1			
				X	F	E	D	C	B	A	NO. OF POSITIONS	PART NO



UNLESS OTHERWISE SPECIFIED DIMENSIONS ARE IN INCHES. TOLERANCES ON: DECIMALS ± .010 ANGLES ±	CONTRACT NO DR IRSHAFFNER 5-31-83		AMP AMP INCORPORATED Harrisburg, Pa. 17105		
	MATERIAL				
FINISH	CHK E.A. McDougle 6-2-83		NAME RECEPTACLE ASSEMBLY, .100C, 3 ROW WITH MOUNTING EARS, BOX CONTACT, .010 X .020 POST		
	APPD E.P. Ponsino 6-2-83				
OTHER APPD		DSGN APPD	SIZE C	FSCM NO 00779	DRAWING NO 532786
			SCALE	SHEET 2 OF 2	