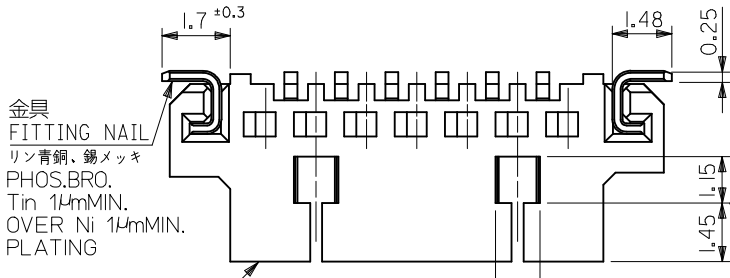


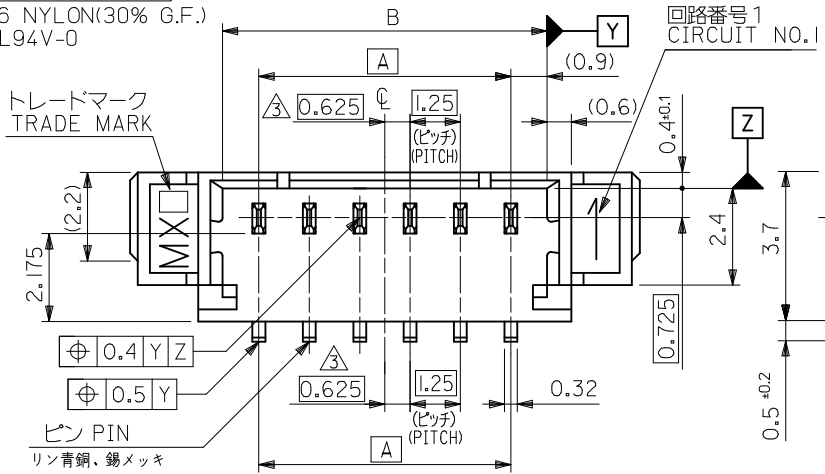
注記 NOTES

- 嵌合相手: 51021シリーズ MATE WITH: 51021 SERIES
- 水平面上においての、ウエハー底面 **W** とソルダーテール及びフィッティングネイル底面とのズレ量を示す。  
MISALIGNMENT OF SOLDER TAIL & FITTING NAIL FROM **W**
- 偶数極にのみ適用。APPLY EVEN CIRCUIT PRODUCTS.
- ロック窓は、2、3極は1ヶ所、4極以上は2ヶ所とする。  
LOCKING WINDOW: ONE PLACE FOR 2&3 CKTS. TWO PLACES FOR MORE THAN 4 CKTS.
- ソルダーテール及び金具の平坦度は0.1以下。  
SOLDER TAIL & FITTING NAIL COPLANARITY TO BE 0.1 MAX.
- ELV及びRoHS適合品  
ELV AND RoHS COMPLIANT.



金具  
FITTING NAIL  
リン青銅、錫メッキ  
PHOS.BRO.  
Tin 14μMIN.  
OVER Ni 14μMIN.  
PLATING

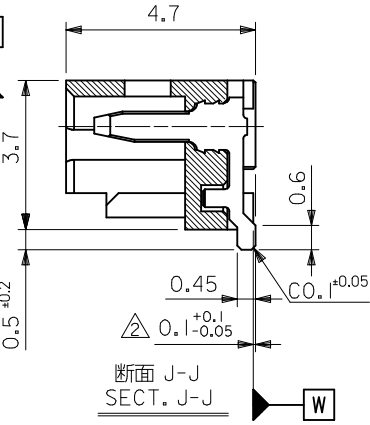
ウエハー  
WAFER  
46 NYLON(30% G.F.)  
UL94V-0



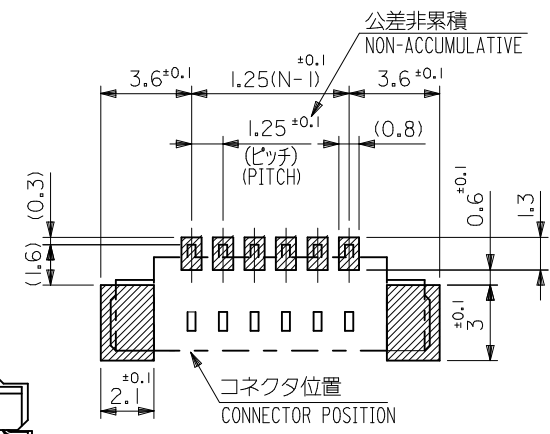
トレードマーク  
TRADE MARK

ピン PIN  
リン青銅、錫メッキ  
PHOS.BRO.  
Tin 14μMIN.  
OVER Ni 14μMIN.  
PLATING

回路番号 1  
CIRCUIT NO.1



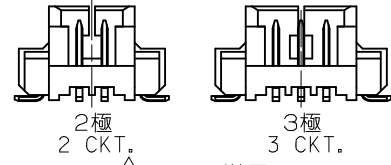
断面 J-J  
SECT. J-J



公差非累積  
NON-ACCUMULATIVE

コネクタ位置  
CONNECTOR POSITION

参考基板レイアウト  
RECOMMENDED P.C.BOARD PATTERN DIM.(REF.)



2極 2 CKT.  
3極 3 CKT.

ロック形状図  
LOCK CONFIGURATION

23.9	23.5	20.5	18.6	19.3	17.5	53398-154*	53398-*159	15
22.65	22.25	19.25	17.35	18.05	16.25	-144*	-*149	14
21.4	21	18	16.1	16.8	15	-134*	-*139	13
20.15	19.75	16.75	14.85	15.55	13.75	-124*	-*129	12
18.9	18.5	15.5	13.6	14.3	12.5	-114*	-*119	11
17.65	17.25	14.25	12.35	13.05	11.25	-104*	-*109	10
16.4	16	13	11.1	11.8	10	-094*	-*099	9
15.15	14.75	11.75	9.85	10.55	8.75	-084*	-*089	8
13.9	13.5	10.5	8.6	9.3	7.5	-074*	-*079	7
12.65	12.25	9.25	7.35	8.05	6.25	-064*	-*069	6
11.4	11	8	6.1	6.8	5	-054*	-*059	5
10.15	9.75	6.75	4.85	5.55	3.75	-044*	-*049	4
8.9	8.5	5.5	3.6	4.3	2.5	-034*	-*039	3
7.65	7.25	4.25	2.35	3.05	1.25	53398-024*	53398-*029	2
F	E	D	C	B	A	MATERIAL NO.	MATERIAL NO.	極数 NO. OF CKTS.
						MODEL NO. 53398-***4	MODEL NO. 53398-***9	
						3: 黄 YELLOW 4: 青(紫) BLUE(PURPLE) 6: 緑 GREEN	8: 黒 BLACK 9: 赤 RED	

REVISED EC NO: J2017-0403 DRWNS: S0BARA01 CHK: DAIDA APPR: KANEKO	2017/01/26	2017/01/31	2017/02/01	GENERAL TOLERANCES (UNLESS SPECIFIED)	DIMENSION STYLE MM ONLY	SCALE 8:1	DESIGN UNITS METRIC	THIRD ANGLE PROJECTION	
	DESCRIPTION	0.25 UNDER	UNDER	±0.03	DRAWN BY M.UMEDA	DATE 2005/02/17	TITLE PICOBLADE 125 HEADER ASSY SMT ST TYPE	DOCUMENT NO. SD-53398-038	
		0.25 OVER	0.5 UNDER	±0.05	CHECKED BY K.TOYODA	DATE 2005/02/17	molex		
		0.5 OVER	1.0 UNDER	±0.1	APPROVED BY N.UKITA	DATE 2005/02/17			SHEET NO. 1 OF 1
		1.0 OVER	10 UNDER	±0.2	MATERIAL NO.	SEE CHART			
	10 OVER	30 UNDER	±0.25	SIZE A3	THIS DRAWING CONTAINS INFORMATION THAT IS PROPRIETARY TO MOLEX ELECTRONIC TECHNOLOGIES, LLC AND SHOULD NOT BE USED WITHOUT WRITTEN PERMISSION				
	30 OVER		±0.3						
	ANGULAR	±3 °		DRAFT WHERE APPLICABLE MUST REMAIN WITHIN DIMENSIONS					