

THIS DRAWING IS UNPUBLISHED.

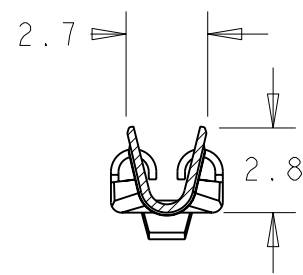
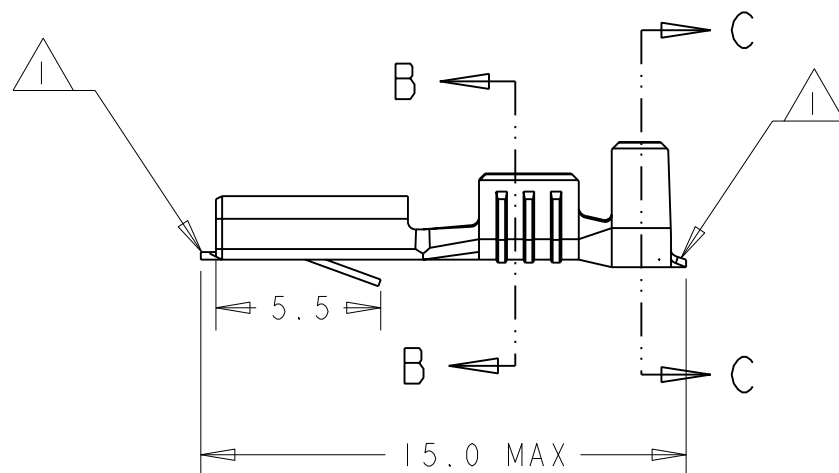
RELEASED FOR PUBLICATION

20

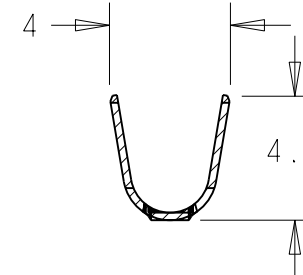
© COPYRIGHT 20

ALL RIGHTS RESERVED.

LOC	DIST	REVISIONS			
P	LTR	DESCRIPTION	DATE	DWN	APVD
B	E	B	FIRST ISSUE	19/08/08	MJG -
		B1	REVISED PER ECO-10-000444	09JAN10	KK AEG
		B2	ECR-10-022530	17JUN2011	KK HMR



SECTION B-B



SECTION C-C

NOTES:

- 1 MAX CUT OFF TAB 0.5mm
- 2. WIRE SIZE 0.5 - 1.5mm²
- 3. FOR FURTHER INFORMATION REFER TO DRAWING NO 160655
- 4. FOR USE WITH 0.8mm TAB
- 5 OBSOLETE PARTS: OBSOLETE CIS STREAMLINING PER D.RENAUD/D.SINISI

	TIN ELECTROPLATE	BRASS	160668-6
	SILVER ELECTROPLATE	BRASS	160668-5
OBSOLETE	PRE-TINNED (HOT DIPPED)	PHOSPHOR BRONZE	160668-4
		PHOSPHOR BRONZE	160668-3
	PRE-TINNED (HOT DIPPED)	BRASS	160668-2
5 OBSOLETE		BRASS	160668-1
	FINISH	MATERIAL	PART NO

THIS DRAWING IS A CONTROLLED DOCUMENT.		DWN M. GREENER 19AUG2008	TE Connectivity				
DIMENSIONS: mm		CHK J. AMBROSE 19AUG2008					
TOLERANCES UNLESS OTHERWISE SPECIFIED:		APVD J. AMBROSE 19AUG2008	NAME .110 SERIES FASTIN FASTON RECEPTACLE (LOOSE PIECE)				
0 PLC ±0.5 1 PLC ±0.5 2 PLC ±0.5 3 PLC ±0.5 4 PLC ±0.5 ANGLES ±0.5		PRODUCT SPEC 108-20020					
MATERIAL SEE TABLE		APPLICATION SPEC 114-3118	SIZE A3	CAGE CODE 00779	DRAWING NO C-160668	RESTRICTED TO -	
		WEIGHT -	CUSTOMER DRAWING		SCALE 4:1	SHEET 1 OF 1	REV B2