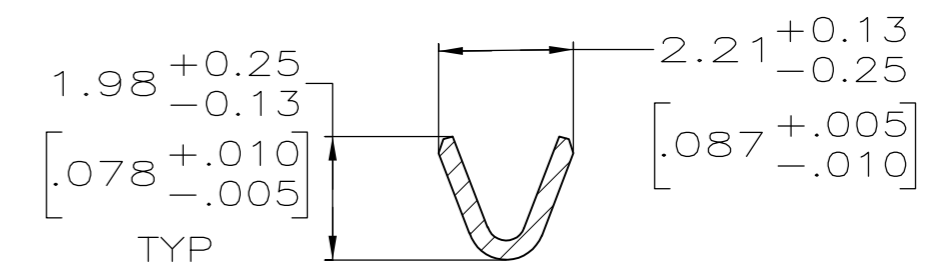
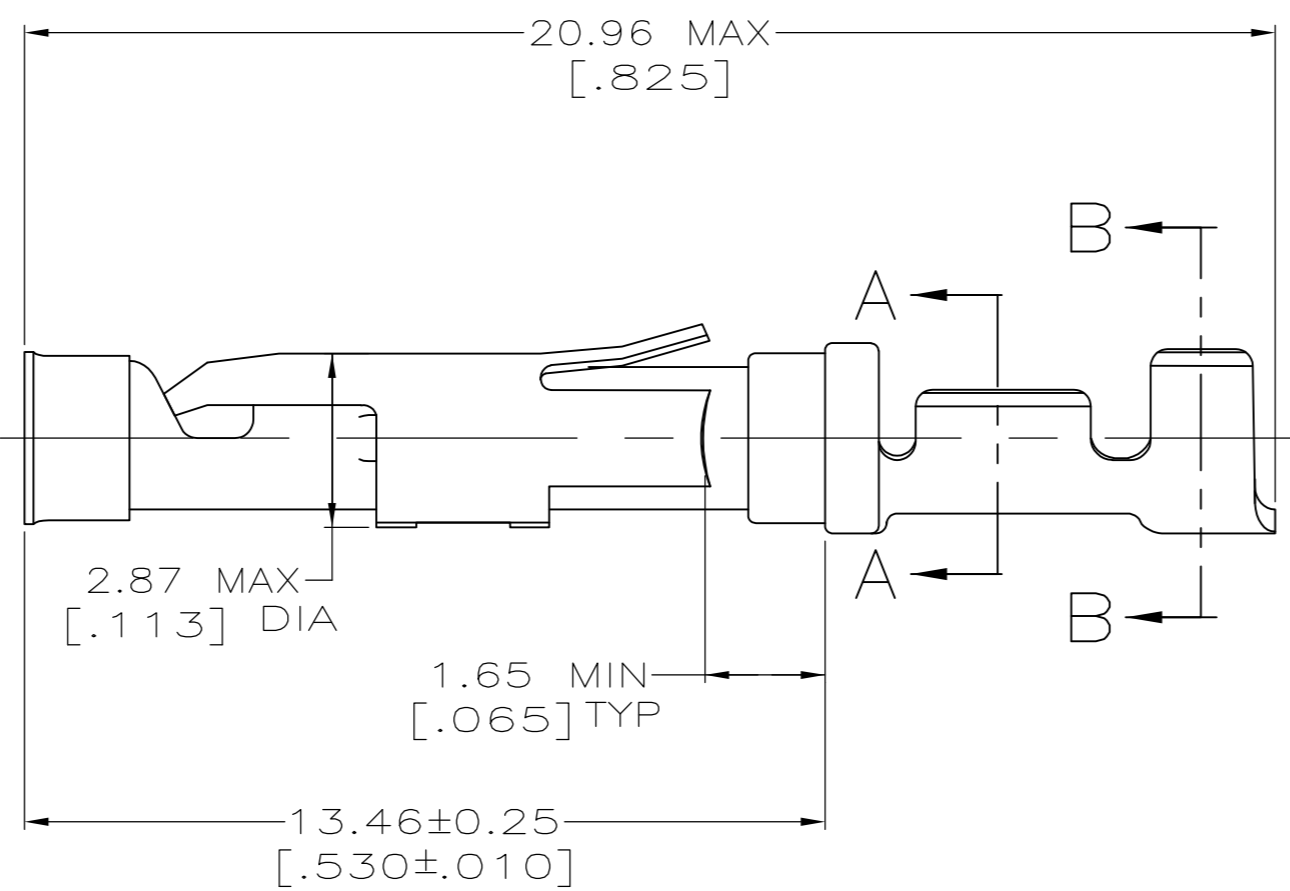
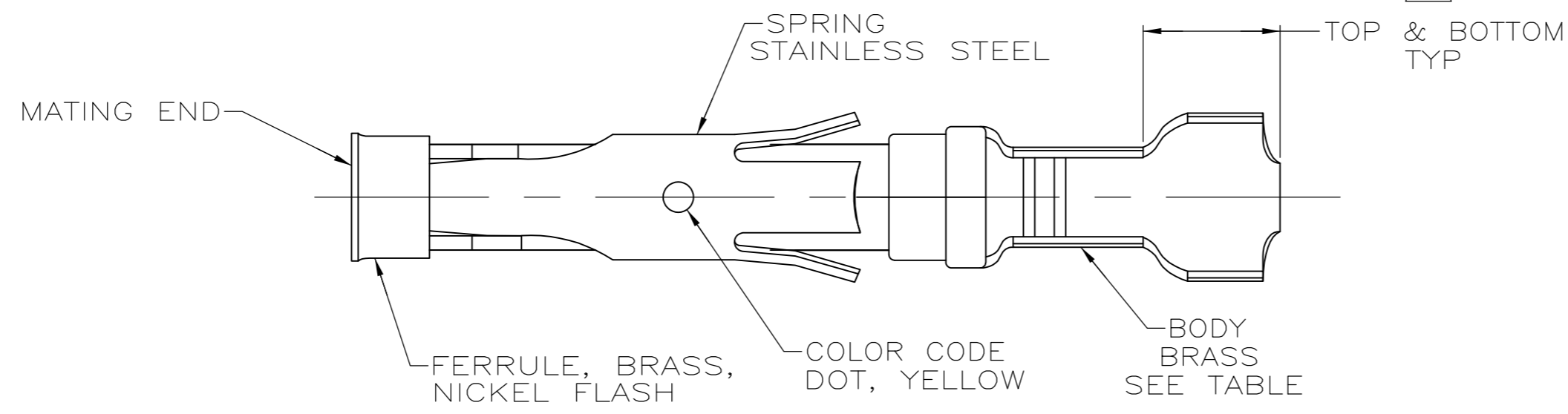
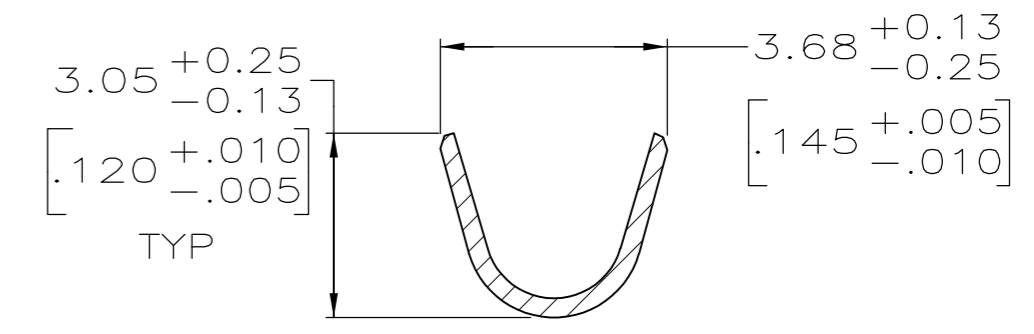


THIS DRAWING IS UNPUBLISHED. RELEASED FOR PUBLICATION
 © COPYRIGHT - By - ALL RIGHTS RESERVED.

| LOC | DIST | REVISIONS | | | | | |
|-----|------|-----------|-----|---------------------------|---------|-----|------|
| FT | 47 | P | LTR | DESCRIPTION | DATE | DWN | APVD |
| | | P | | REVISED PER ECO-12-012320 | 05JUL12 | KH | MZ |



SECTION A-A



SECTION B-B

- ① 0.76µm [.000030] MIN GOLD PER MIL-G-45204 ON MATING END FOR A LENGTH OF 5.08 [.200] MIN WITH 1.27µm [.000050] MIN MATTE TIN PLATE IN WIRE CRIMP AREA, BOTH OVER 0.76µm [.000030] MIN NICKEL PER QQ-N-290.
- ② 0.76µm [.000030] MIN GOLD PER MIL-G-45204 ON MATING END FOR A LENGTH OF 5.08 [.200] MIN WITH A UNIFORM GRADIENT TO 0.25µm [.000010] MIN GOLD PER MIL-G-45204 ON THE REMAINDER OVER 0.76µm [.000030] MIN NICKEL PER QQ-N-290.
- ③ 0.38µm [.000015] MIN GOLD PER MIL-G-45204 ON MATING END FOR A LENGTH OF 5.08 [.200] MIN WITH 1.27µm [.000050] MIN MATTE TIN PLATE IN WIRE CRIMP AREA, BOTH OVER 0.76µm [.000030] MIN NICKEL PER QQ-N-290.
- ④ 1.27µm [.000050] MIN TIN-LEAD PER MIL-T-10727 OVER 0.76µm [.000030] MIN NICKEL PER QQ-N-290.
- ⑤ GOLD PLATING NEED NOT APPEAR IN THIS AREA.
- ⑥ WIRE RANGE 24-20 AWG. INSULATION RANGE 2.03 [.080]-2.54 [.100].
- ⑦ 0.38µm [.000015] MIN GOLD PER MIL-G-45204 ON MATING END FOR A LENGTH OF 5.08 [.200] MIN, 1.27µm [.000050] MIN TIN-LEAD PER MIL-T-10727 FOR A LENGTH OF 5.69 [.224] MIN ON OPPOSITE END, BOTH OVER 1.27µm [.000050] MIN NICKEL PER QQ-N-290 ON ENTIRE CONTACT.
- ⑧ 1.27µm [.000050] MIN TIN PER MIL-T-10727 OVER 0.76µm [.000030] MIN NICKEL PER QQ-N-290.
- ⑨ OBSOLETE PARTS: OBSOLETE CIS STREAMLINING PER D.RENAUD/D.SINISI

| PACKAGING TYPE | BODY FINISH | STRIP P/N REF | PART NO |
|-----------------------|-------------|---------------|-----------|
| SMALL PACK | ⑧ | 1-66399-0 | 1-66399-1 |
| STANDARD | ⑧ | 1-66331-4 | 1-66399-0 |
| SMALL PACK | ① | 66331-4 | 66399-9 |
| ⑨ OBSOLETE SMALL PACK | ③ | 66331-7 | 66399-8 |
| ⑨ OBSOLETE SMALL PACK | ② | 66331-2 | 66399-7 |
| SMALL PACK | ④ | 66331-1 | 66399-6 |
| OBSOLETE STANDARD | ⑦ | 1-66331-2 | 66399-5 |
| STANDARD | ① | 66331-4 | 66399-4 |
| STANDARD | ③ | 66331-7 | 66399-3 |
| STANDARD | ② | 66331-2 | 66399-2 |
| STANDARD | ④ | 66331-1 | 66399-1 |

THIS DRAWING IS A CONTROLLED DOCUMENT.

| | | | | |
|-----------------------|---------------------|--|-----------------|--------------------|
| DWN R.SHIREY 7-30-91 | | TE Connectivity | | |
| CHK R.STONE 9-19-91 | | NAME SOCKET ASSEMBLY, LOOSE PIECE, TYPE III+ | | |
| APVD J.ESTMAN 9-20-91 | | SIZE A2 | CAGE CODE 00779 | DRAWING NO C=66399 |
| PRODUCT SPEC | | RESTRICTED TO | - | |
| MATERIAL SEE CALLOUTS | FINISH SEE CALLOUTS | WEIGHT - | SCALE 8:1 | |
| CUSTOMER DRAWING | | SHEET 1 OF 1 | REV P | |