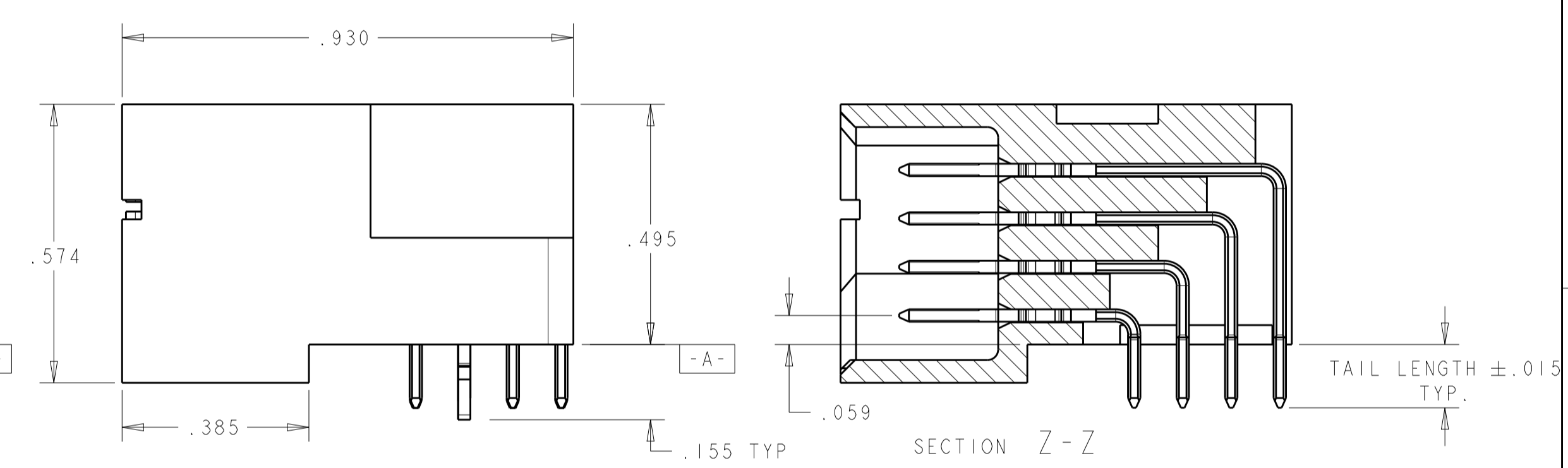
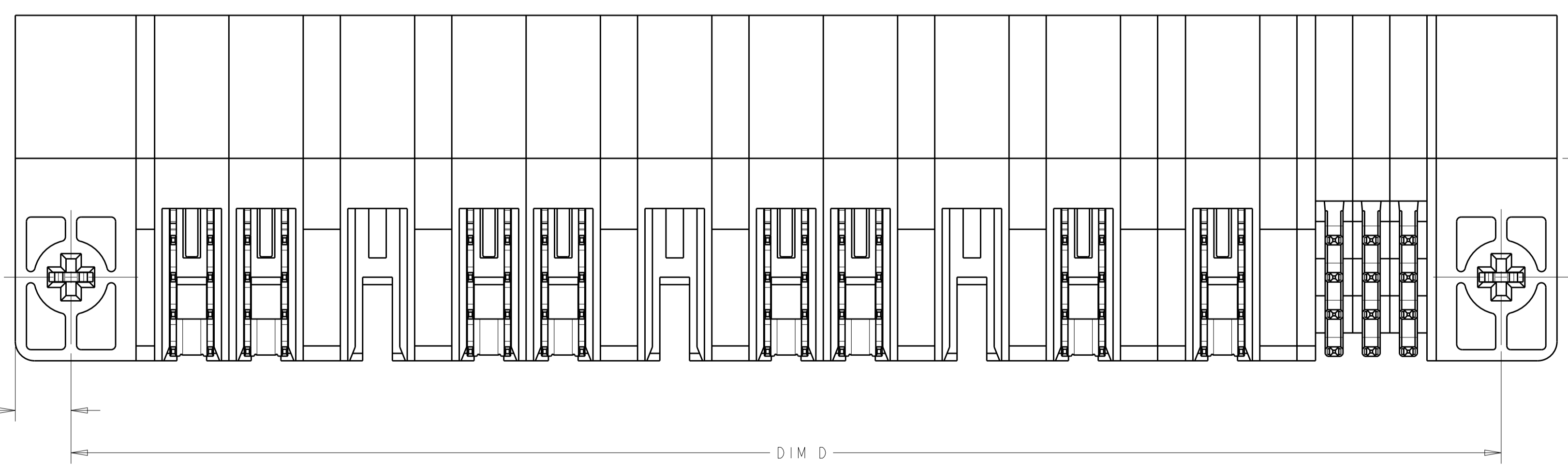
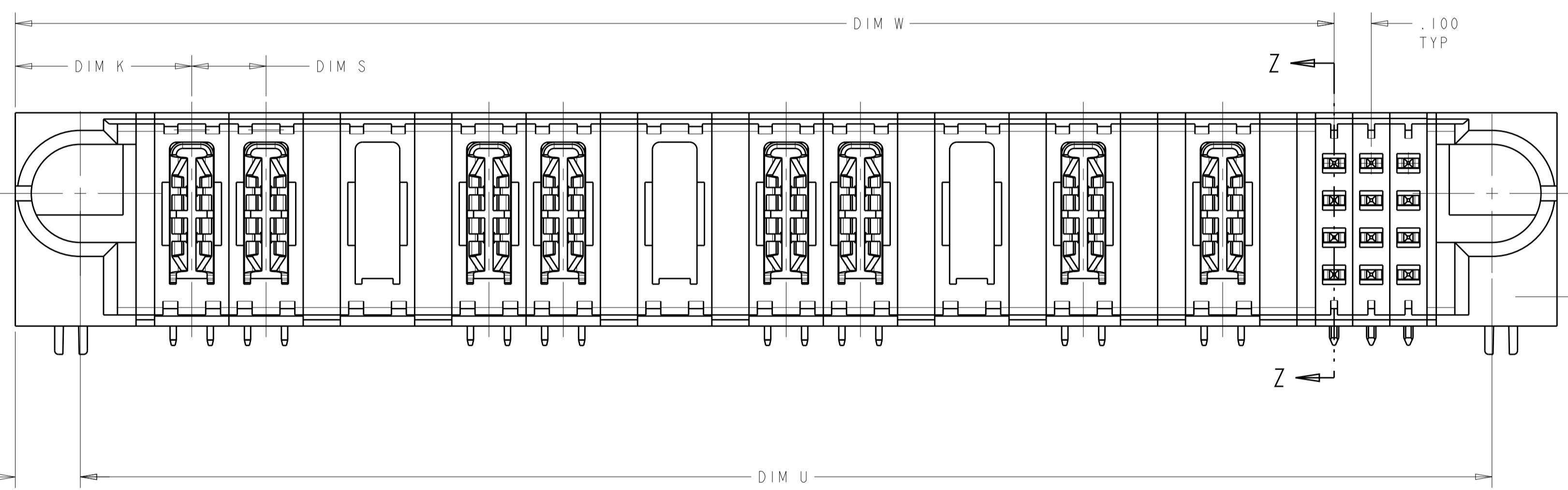
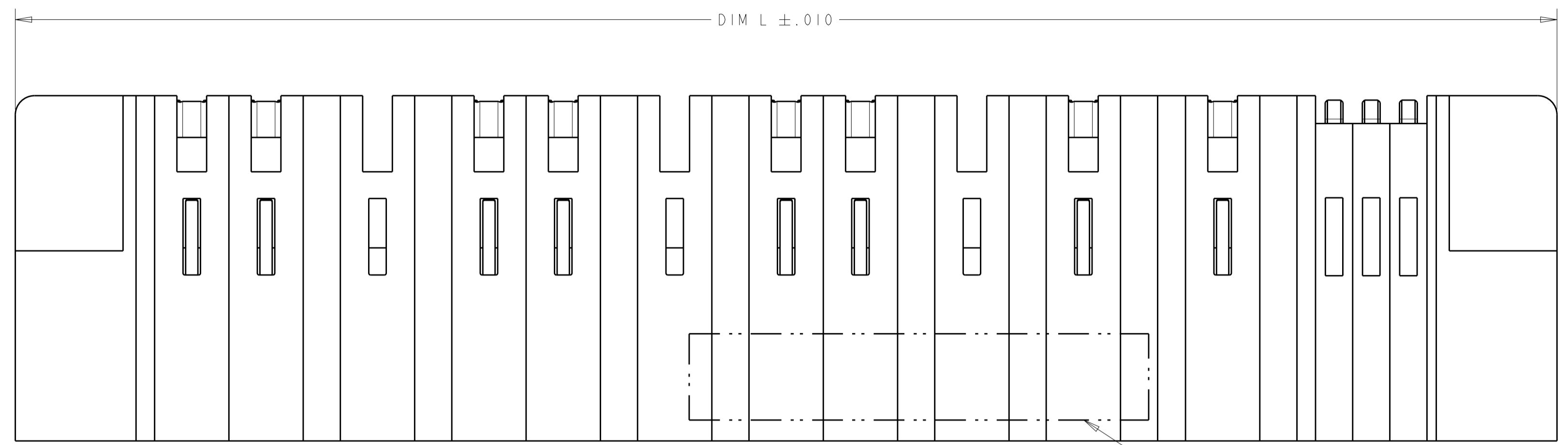


LOC		DIST		REVISIONS			
GP	00	P	LTH	DESCRIPTION	DATE	DMN	APVD
		E8		RELEASE 2-3	10AUG2014	CZ	SZ
		E9		ADD NEW DASH NUMBER 3-0	19AUG2014	CZ	SZ

- 1 "AMP" TRADEMARK, PART NUMBER, AND DATE CODE TO BE MARKED IN AREA SHOWN
- 2 MATERIAL:
HOUSING - GLASS FILLED HIGH TEMP THERMO PLASTIC, UL94 V-0
SIGNAL CONTACT - COPPER ALLOY
POWER CONTACT - HIGH CONDUCTIVITY COPPER ALLOY
- 3 CONTACT PLATING: NOBLE METAL PLATING ON CONTACT FUNCTIONAL AREA OF POWER AND SIGNAL CONTACTS.
- 4 MECHANICAL CONNECTOR KEEP OUT ZONE.
- 5 DATUM AND BASIC DIMENSIONS ESTABLISHED BY CUSTOMER.
- 6 PCB - ALL HOLES DIAMETERS ARE FINISHED HOLE SIZES.
- 7 PCB - $.0453 \pm .0010$ DRILLED HOLES PLATED WITH $.0003$ MIN. Sn OVER $.001$ TO $.003$ CU PLATING TO ACHIEVE A $.040 \pm .003$ DIA HOLE.
- 8 NOT RELEASED FOR PRODUCTION
- 9 VARIABLE DIMENSIONS SHOWN ON VIEW (SHEET 2)



THIS DRAWING IS A CONTROLLED DOCUMENT. DWN: R.GRZYBOWSKI 02FEB05
 CHK: M.PERCHEKKE 02FEB05

STE TE Connectivity

NAME: RIGHT ANGLE HEADER ASSY W/GUIDES MULTI-BEAM XL

PRODUCT SPEC: 108-1973
 APPLICATION SPEC: 114-13038

SIZE: A1 00779 C=6450122
 CAGE CODE: 6450122

MATERIAL: FINISH:

CUSTOMER DRAWING


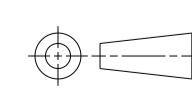
SCALE: 4:1 SHEET 1 OF 10 REV: E9

THIS DRAWING IS UNPUBLISHED. RELEASED FOR PUBLICATION 20
 © COPYRIGHT 20 BY - ALL RIGHTS RESERVED.

LOC		DIST		REVISIONS			
P	LYN	DATE	OWN	APVD	DESCRIPTION		
-	-	-	-	-	SEE SHEET 1		

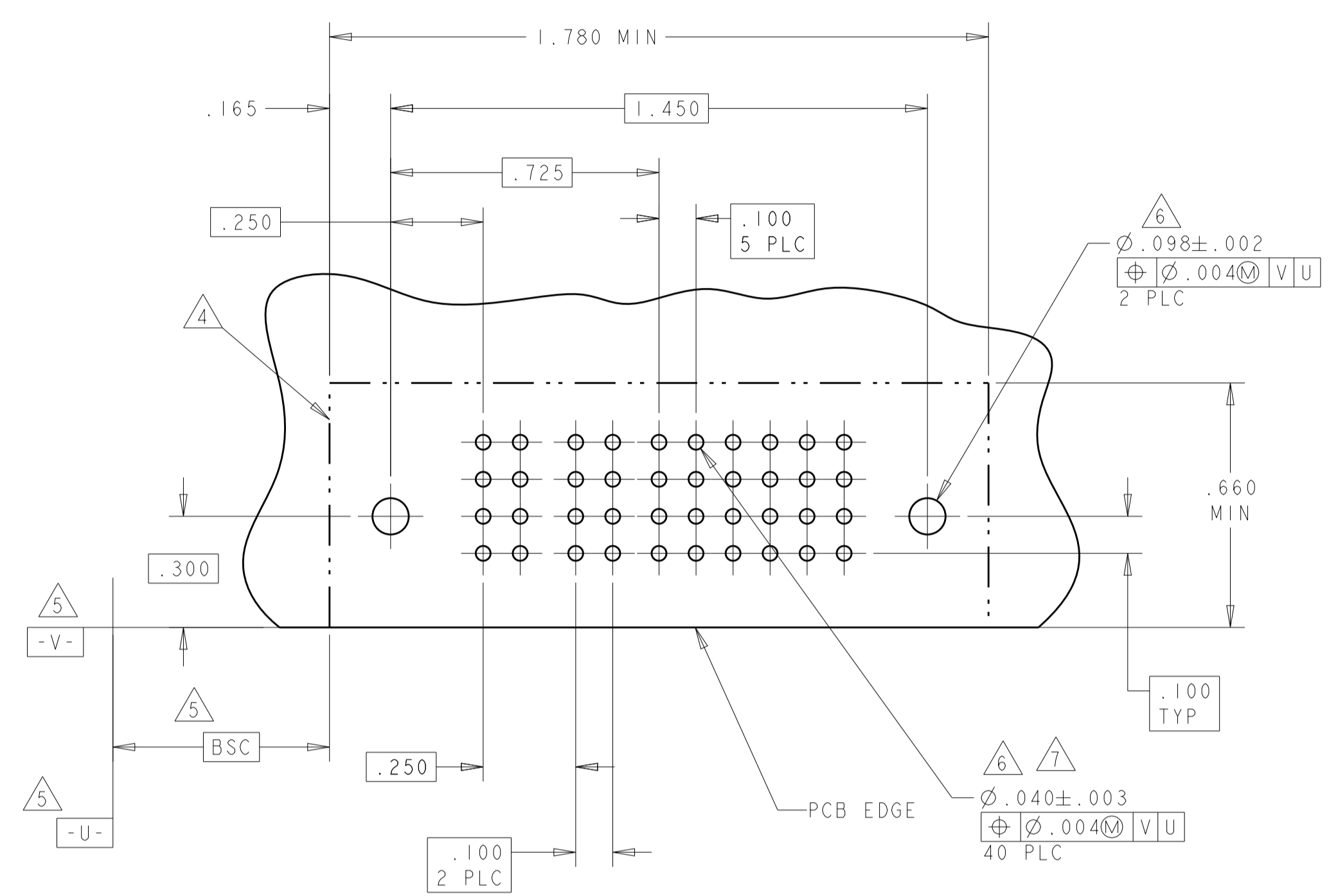
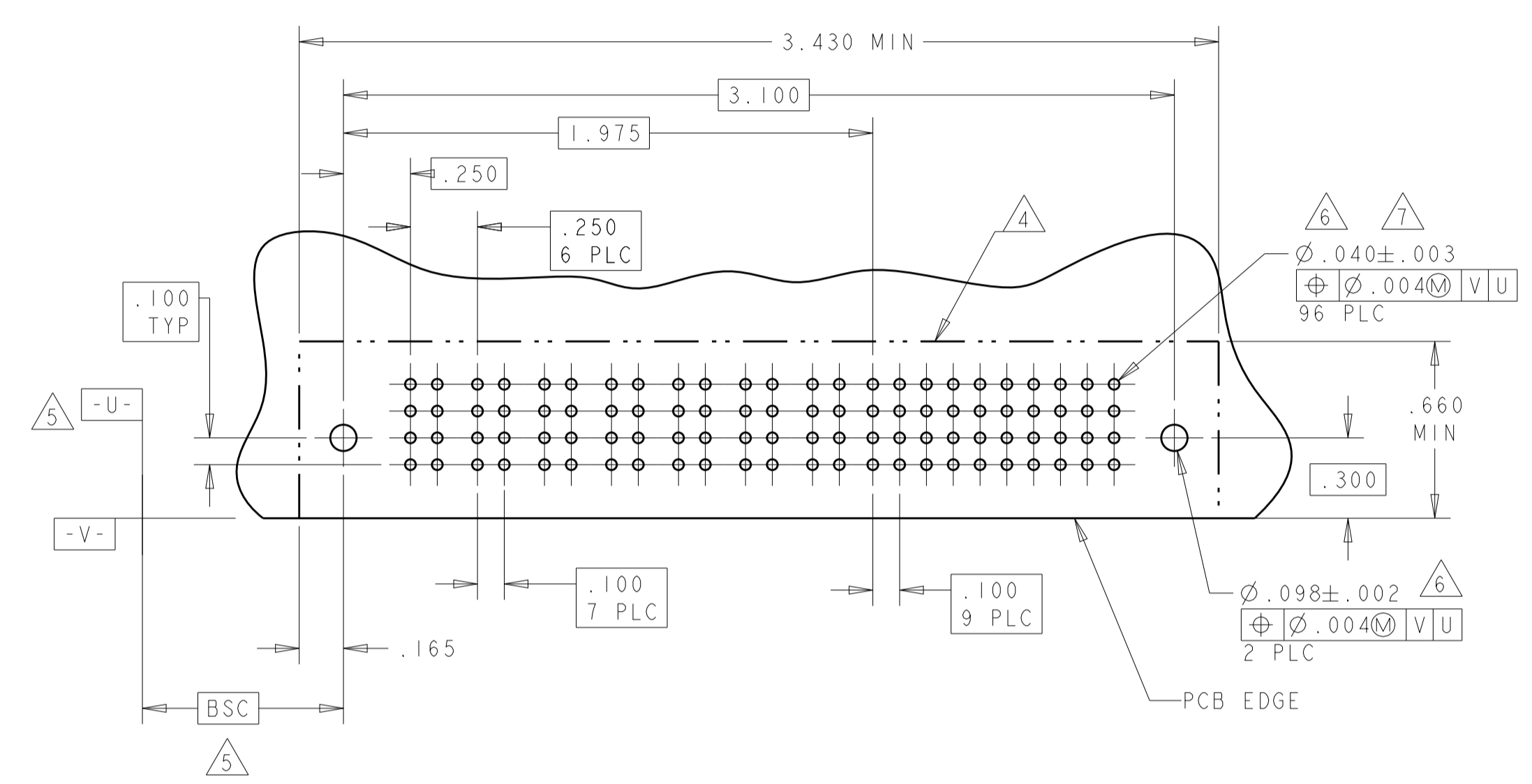
E9	1.700	.250	1.375	1.750	.450	2.050	4P + 16S	3-6450122-0
	2.400	.250	1.875	2.450	.450	2.750	6P + 24S	2-6450122-9
	1.300	.250	1.175	1.350	.450	1.650	3P + 8S	2-6450122-8
	2.050	.250	1.925	2.100	.450	2.400	6P + 8S	2-6450122-7
	4.425	.200	2.200	4.475	.450	4.775	9P + 92S	2-6450122-6
	2.900	.250	2.375	2.950	.450	3.250	8P + 24S	2-6450122-5
	2.700	.250	.875	2.750	.450	3.050	2P + 76S	2-6450122-4
	2.300	.250	1.875	2.350	.450	2.650	6P + 20S	2-6450122-3
	3.200	.250	2.875	3.250	.450	3.550	10P + 16S	2-6450122-2
	1.650	.200	1.225	1.700	.450	2.000	4P + 20S	2-6450122-1
	2.950	.200	2.425	3.000	.450	3.300	10P + 24S	2-6450122-0
	1.800	.250	1.375	1.850	.450	2.150	4P + 20S	1-6450122-9
	2.250	.250	1.975	2.300	.475	2.600	6P + 12S	1-6450122-7
	1.000	.250	.875	1.050	.450	1.350	2P + 8S	1-6450122-6
	1.850	.300	1.325	1.900	.475	2.200	3ACP + 24S	1-6450122-2
	5.900	.250	5.375	5.950	.450	6.250	20P + 24S	1-6450122-1
	1.400	.250	.875	1.450	.450	1.750	2P + 24S	1-6450122-0
	3.050	.250	2.125	3.100	.450	3.400	7P + 40S	6450122-8
	4.425	.250	3.875	4.475	.450	4.775	14P + 24S	6450122-6
	3.800	.250	3.550	3.850	.475	4.150	11P + 12S	6450122-3
	4.600	.250	3.875	4.650	.450	4.950	14P + 32S	6450122-2
	3.800	.250	3.550	3.850	.475	4.150	11P + 12S	6450122-1
	DIM U	DIM S	DIM W	DIM D	DIM K	DIM L	DESCRIPTION	PART NUMBER

E9
8
8
8
8
8

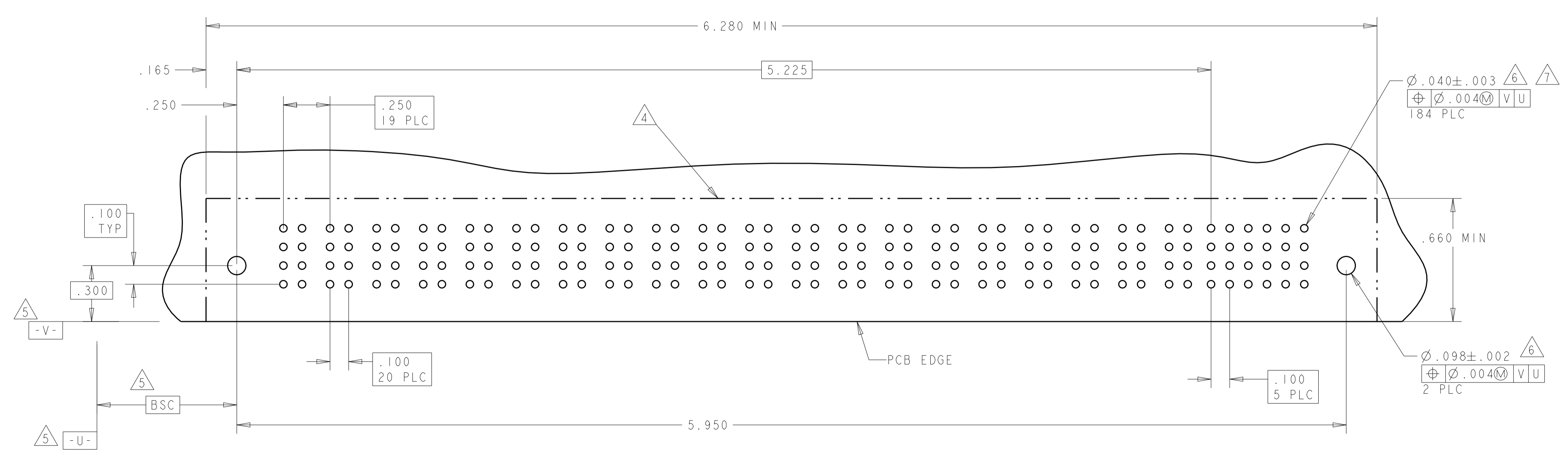
THIS DRAWING IS A CONTROLLED DOCUMENT.		DWN R. GRZYBOWSKI 02FEB05 CHK M. PERCHERKE 02FEB05		 TE Connectivity	
DIMENSIONS: INCHES		TOLERANCES UNLESS OTHERWISE SPECIFIED:			
		0 PLC ±. 1 PLC ±.01 2 PLC ±.01 3 PLC ±.005 4 PLC ±.0020 ANGLES ±.2		NAME: RIGHT ANGLE HEADER ASSY W/GUIDES MULTI-BEAM XL PRODUCT SPEC: 108-1973 APPLICATION SPEC: 114-13038 WEIGHT: - FINISH: -	
MATERIAL: -		FINISH: -		SIZE: A100779 CAGE CODE: C=6450122 DRAWING NO: 6450122 RESTRICTED TO: - CUSTOMER DRAWING SCALE: 4:1 SHEET 2 OF 10 REV: E9	

PART NUMBER	ROWS	POWER							SIGNAL									
		P1	P2	P3	P4	P5	P6	P7	1	2	3	4	5	6	7	8	9	10
6450122-8	D C B A	PM	PM	PM	PM	PM	PM	PM	J	J	J	J	J	J	J	J	J	J
									K	K	K	K	K	K	K	K	K	K
									N	N	N	N	N	N	N	N	N	N
									S	S	S	S	S	S	S	S	S	S
7P + 40S																		

PART NUMBER	ROWS	POWER		SIGNAL					
		P1	P2	1	2	3	4	5	6
1-6450122-0	D C B A	PM	PM	J	J	J	J	J	J
				K	K	K	K	K	K
				N	N	N	N	N	N
				S	S	S	S	S	S
2P + 24S									



PART NUMBER	ROWS	POWER																				SIGNAL					
		P1	P2	P3	P4	P5	P6	P7	P8	P9	P10	P11	P12	P13	P14	P15	P16	P17	P18	P19	P20	1	2	3	4	5	6
1-6450122-1	D C B A	PM	PM	PM	PM	PM	PM	PM	PM	PM	PM	PM	PM	PM	PM	PM	PM	PM	PM	PM	PM	J	J	J	J	J	J
																						K	K	K	K	K	K
																						N	N	N	N	N	N
																						S	S	S	S	S	S
20P + 24S																											



THIS DRAWING IS A CONTROLLED DOCUMENT.

DIMENSIONS:	TOLERANCES UNLESS OTHERWISE SPECIFIED:	OWN: R. GRZYBOWSKI	02FEB05
INCHES	0 PLC ± .01	CHK: M. PERCHERKE	02FEB05
	1 PLC ± .01	APVD: M. PERCHERKE	
	2 PLC ± .01	PRODUCT SPEC	
	3 PLC ± .01	APPLICATION SPEC	
	4 PLC ± .0020	114-13038	
	ANGLES ± .2	WEIGHT	
MATERIAL:	FINISH:	CUSTOMER DRAWING	

STE TE Connectivity

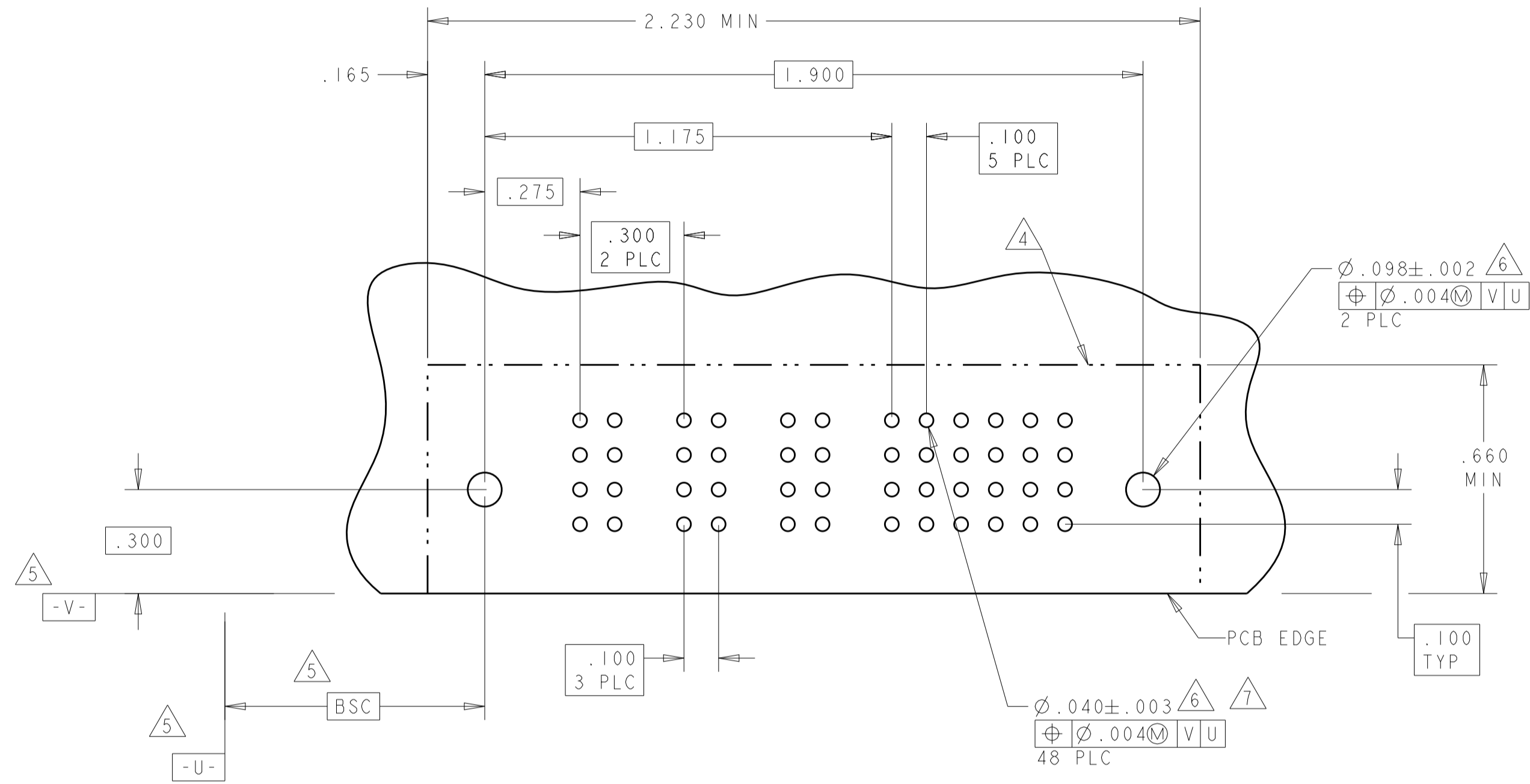
RIGHT ANGLE HEADER ASSY W/GUIDES MULTI-BEAM XL

SIZE: A100779 CAGE CODE: 6450122 DRAWING NO: 108-1973 SHEET 4 OF 10

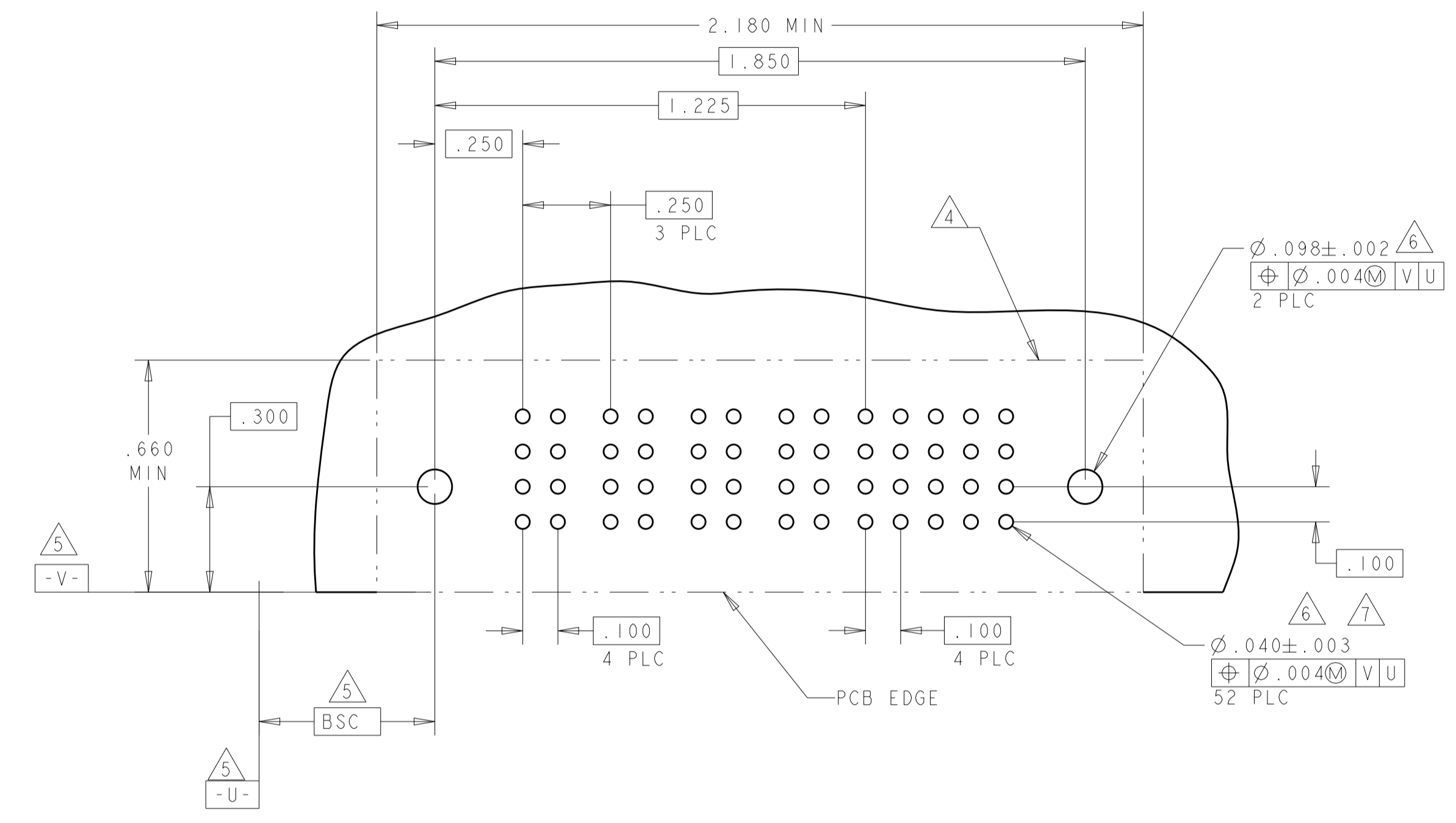
RESTRICTED TO: REV E9

LOC	DIST	REVISIONS					
GP	00	P	LTN	DESCRIPTION	DATE	DMN	APVD
		-		SEE SHEET 1			

PART NUMBER	ROWS	POWER			SIGNAL						
		P1	P2	P3	1	2	3	4	5	6	
1-6450122-2	D	PM	PM	PM	J	J	J	J	J	J	
	C				K	K	K	K	K	K	
	B				N	N	N	N	N	N	
	A				S	S	S	S	S	S	
3ACP + 24S											

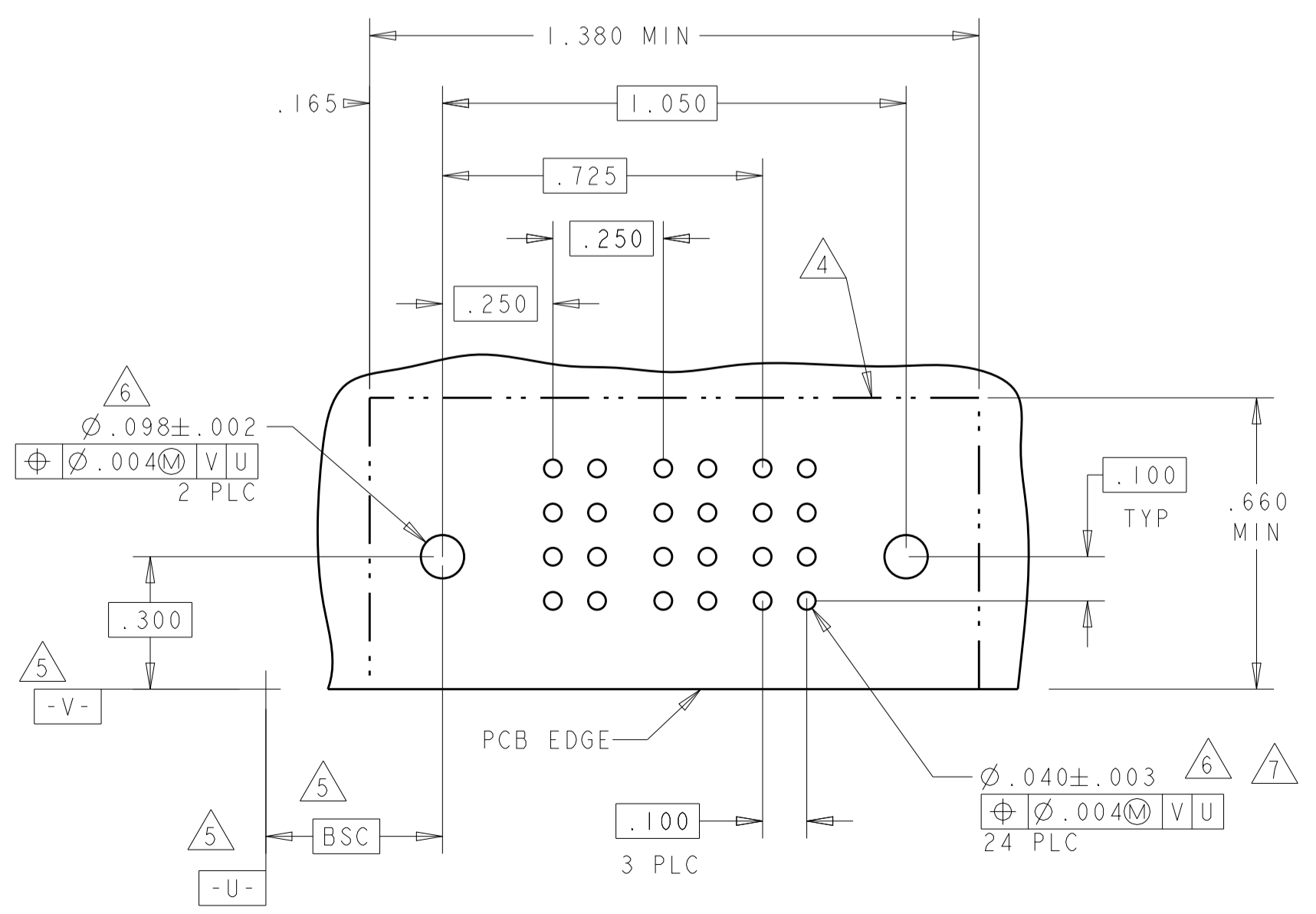


PART NUMBER	ROWS	POWER				SIGNAL					
		P1	P2	P3	P4	1	2	3	4	5	
1-6450122-9	D	PM	PM	PM	PM	J	J	J	J	J	
	C					K	K	K	K	K	
	B					N	N	N	N	N	
	A					S	S	S	S	S	
4P + 20S											

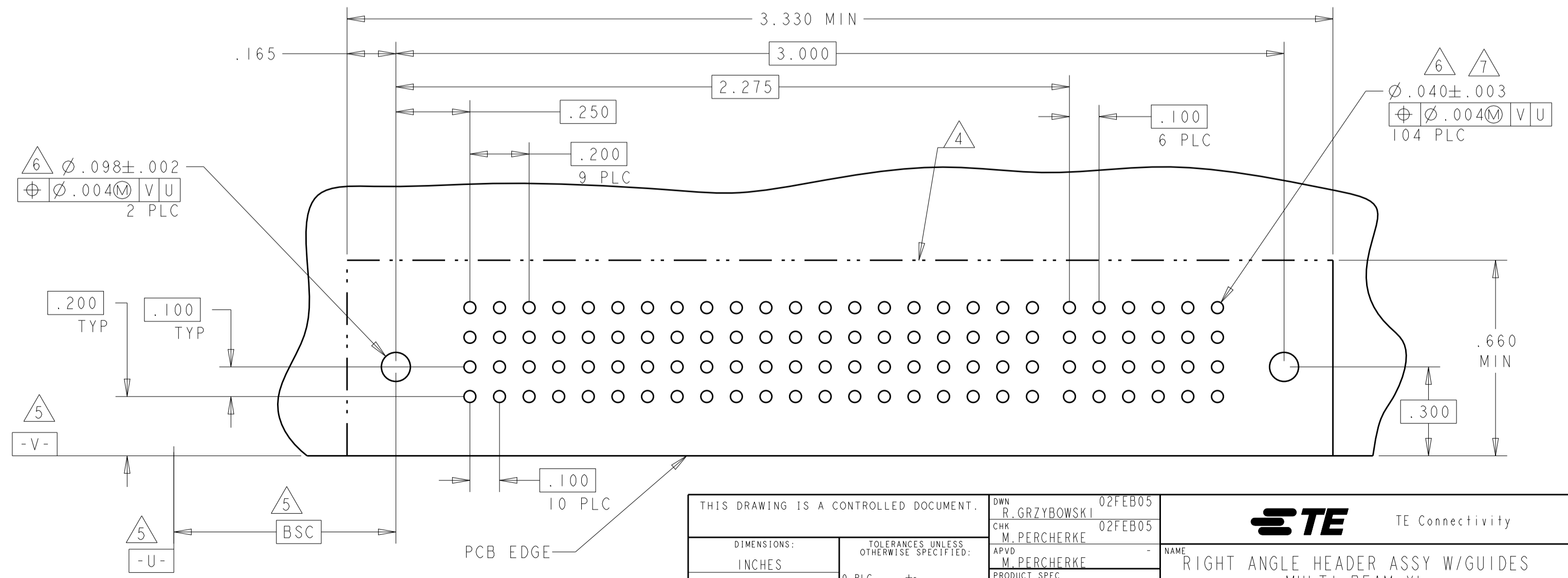


NO CONTACTS LOADED

PART NUMBER	ROWS	POWER		SIGNAL	
		P1	P2	1	2
1-6450122-6	D	PM	PM	J	J
	C			K	K
	B			N	N
	A			S	S
2P + 8S					



PART NUMBER	ROWS	POWER										SIGNAL					
		P1	P2	P3	P4	P5	P6	P7	P8	P9	P10	1	2	3	4	5	6
2-6450122-0	D	PM	PM	PM	PM	PM	PM	PM	PM	PM	PM	J	J	J	J	J	J
	C											K	K	K	K	K	K
	B											N	N	N	N	N	N
	A											S	S	S	S	S	S
10P + 24S																	



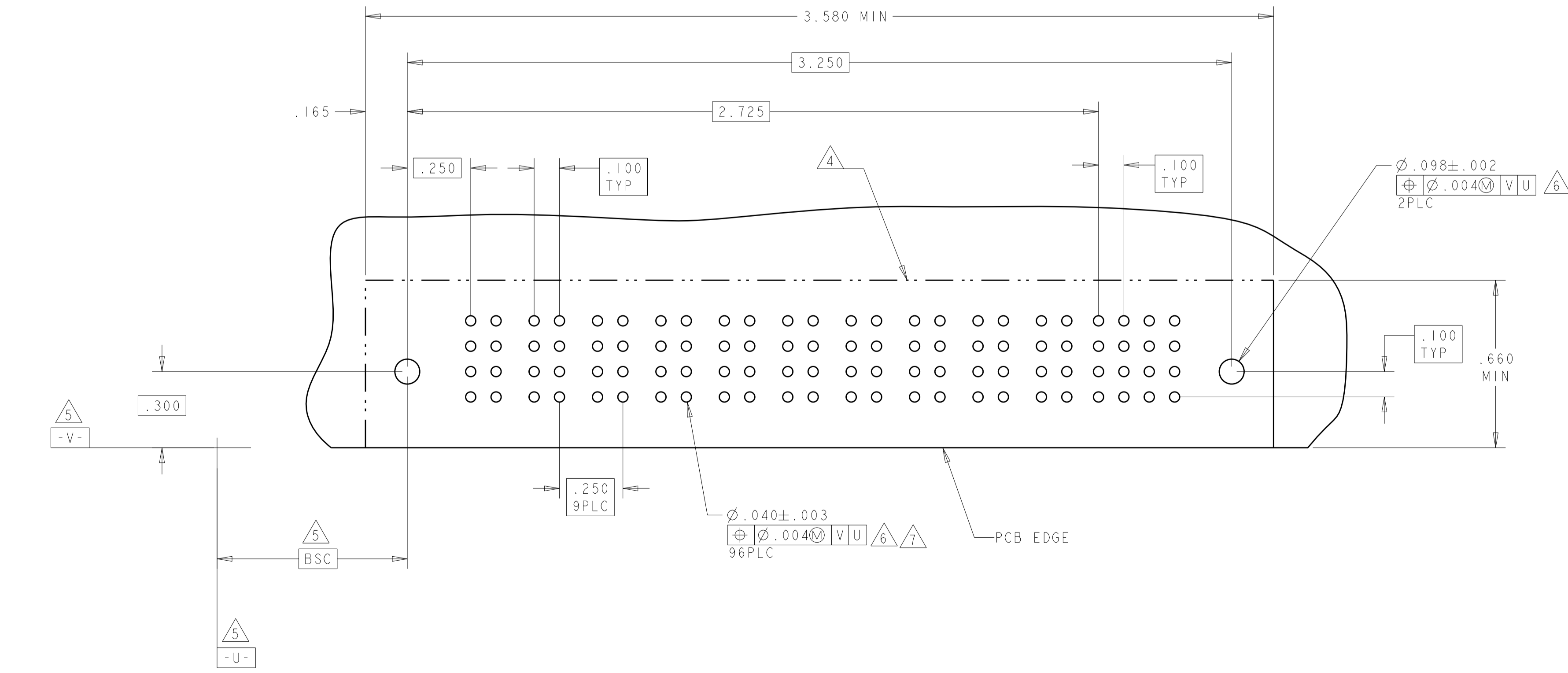
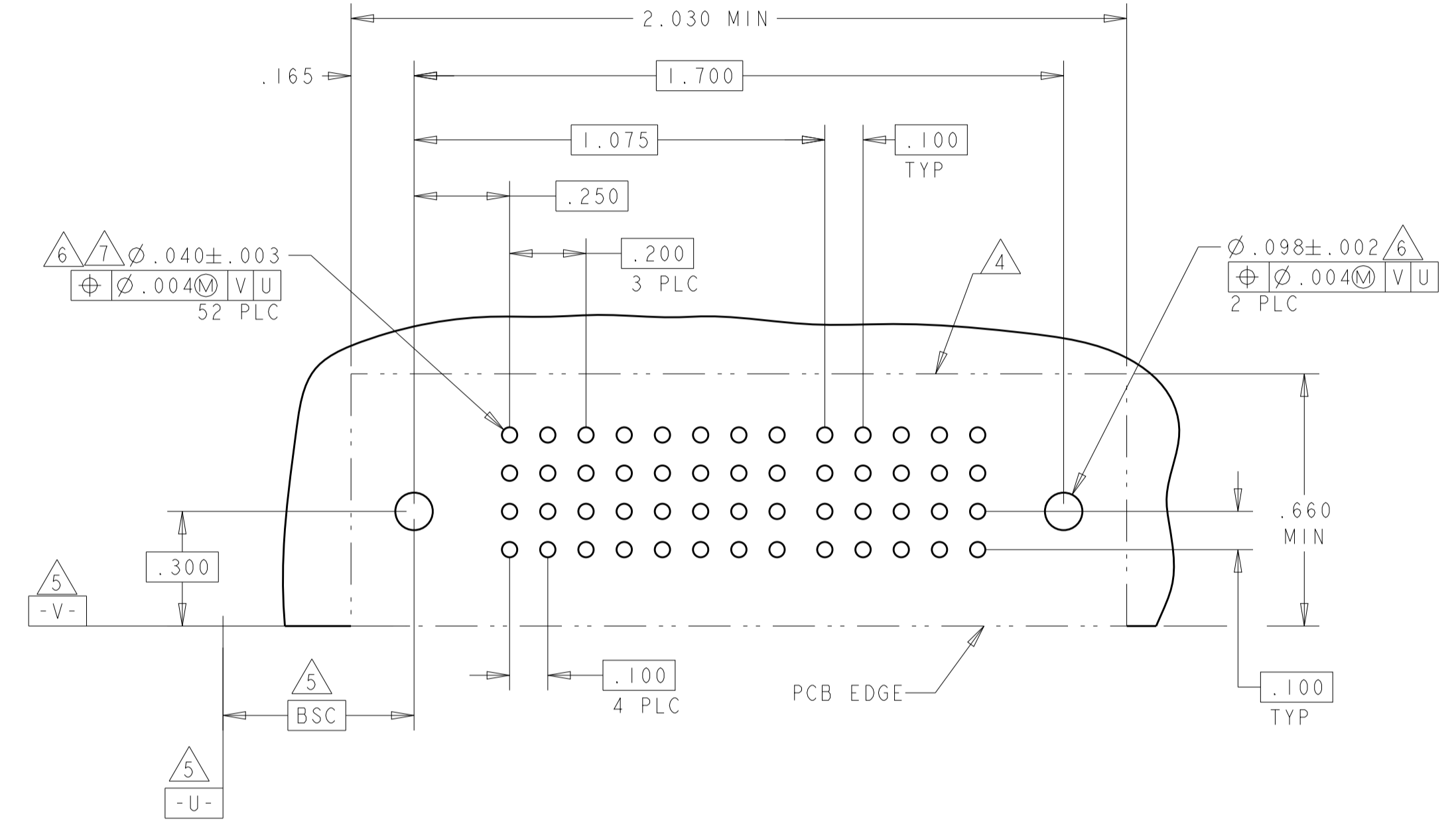
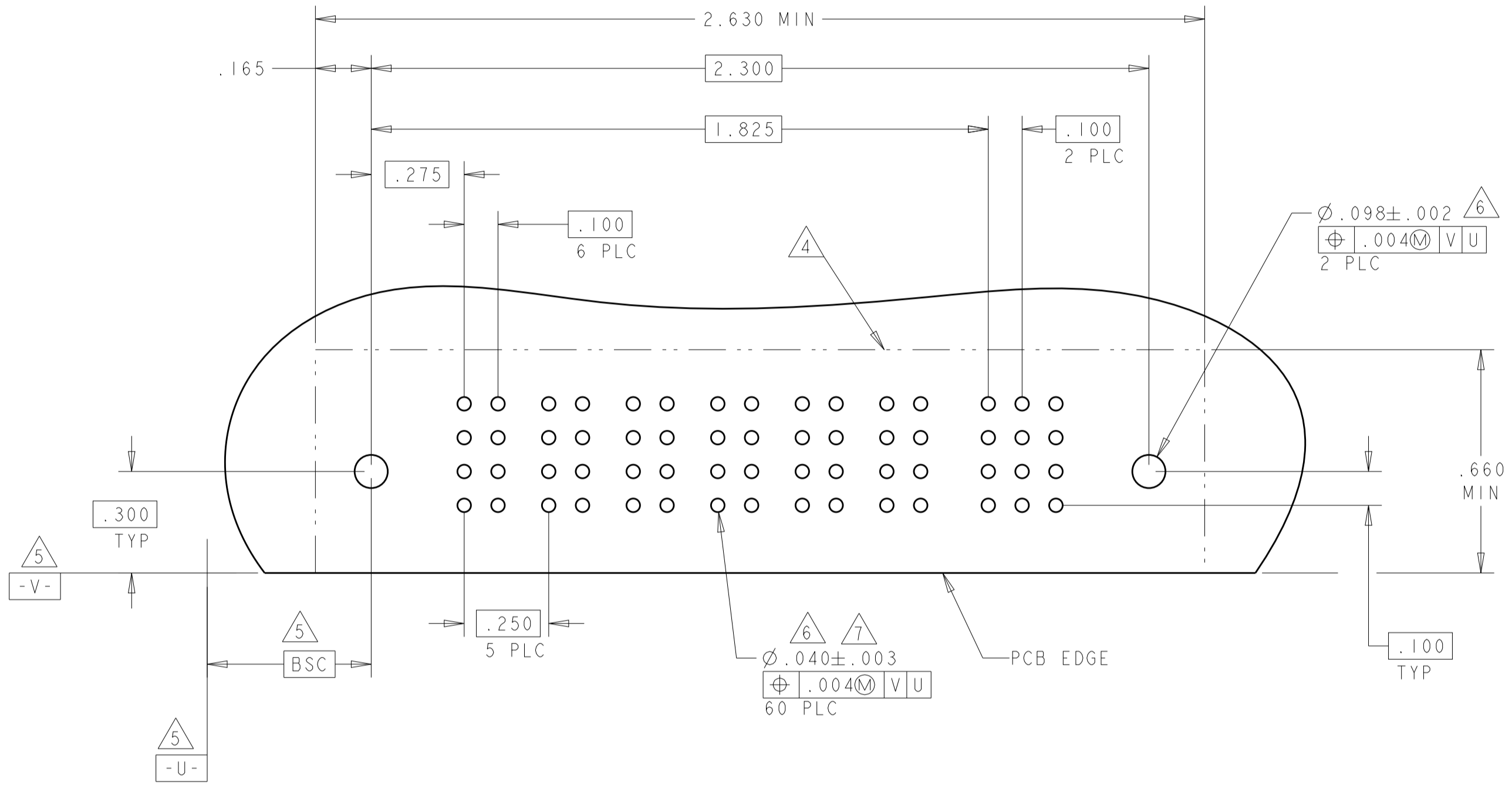
THIS DRAWING IS A CONTROLLED DOCUMENT.

DIMENSIONS:	TOLERANCES UNLESS OTHERWISE SPECIFIED:	DMN: R. GRZYBOWSKI 02FEB05	CHK: M. PERCHERKE 02FEB05	APVD: M. PERCHERKE	NAME: RIGHT ANGLE HEADER ASSY W/GUIDES MULTI-BEAM XL
INCHES	0 PLC ±.01 1 PLC ±.01 2 PLC ±.01 3 PLC ±.005 4 PLC ±.002 ANGLES ±.002	PRODUCT SPEC	APPLICATION SPEC	SIZE: 108-1973	RESTRICTED TO
MATERIAL:	FINISH:	114-13038	WEIGHT:	SCALE: 4:1	SHEET 5 OF 10
CUSTOMER DRAWING		A100779		REV E9	

LOC		DIST		REVISIONS			
GP	00	P	LTN	DESCRIPTION	DATE	DMN	APVD
				SEE SHEET 1			

PART NUMBER	ROWS	POWER						SIGNAL		
		P1	P2	P3	P4	P5	P6	1	2	3
1-6450122-7	D	PM	PM	PM	PM	PM	PM	J	J	J
	C							K	K	K
	B							N	N	N
	A							S	S	S
6P + 12S		HD		HD						

PART NUMBER	ROWS	POWER				SIGNAL				
		P1	P2	P3	P4	1	2	3	4	5
2-6450122-1	D	PM	PM	PM	PM	J	J	J	J	J
	C					K	K	K	K	
	B					N	N	N	N	
	A					H	H	H	H	
4P + 20S		HD		HD						



PART NUMBER	ROWS	POWER										SIGNAL			
		P1	P2	P3	P4	P5	P6	P7	P8	P9	P10	1	2	3	4
2-6450122-2	D	PM	PM	PM	PM	PM	PM	PM	PM	PM	PM	J	J	J	J
	C											K	K	K	K
	B											N	N	N	N
	A											S	S	S	S
10P + 16S		HD		HD											

THIS DRAWING IS A CONTROLLED DOCUMENT. DIMENSIONS: INCHES. TOLERANCES UNLESS OTHERWISE SPECIFIED: 0 PLC ±.01, 1 PLC ±.01, 2 PLC ±.01, 3 PLC ±.005, 4 PLC ±.0020, ANGLES ±.2. MATERIAL: FINISH: .

OWN: R. GRZYBOWSKI 02FEB05, CHK: M. PERCHERKE 02FEB05, APVD: M. PERCHERKE. PRODUCT SPEC: 108-1973, APPLICATION SPEC: 114-13038, WEIGHT: .

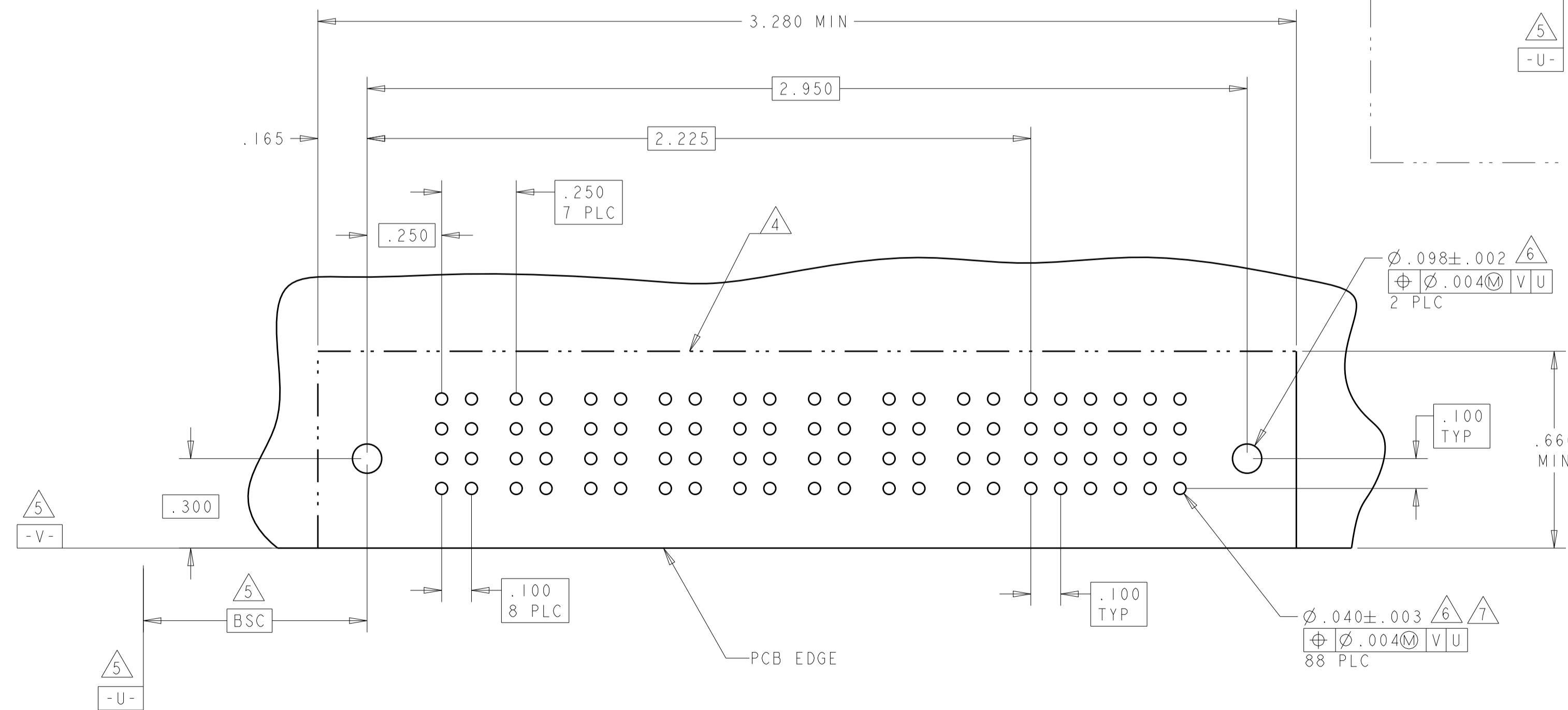
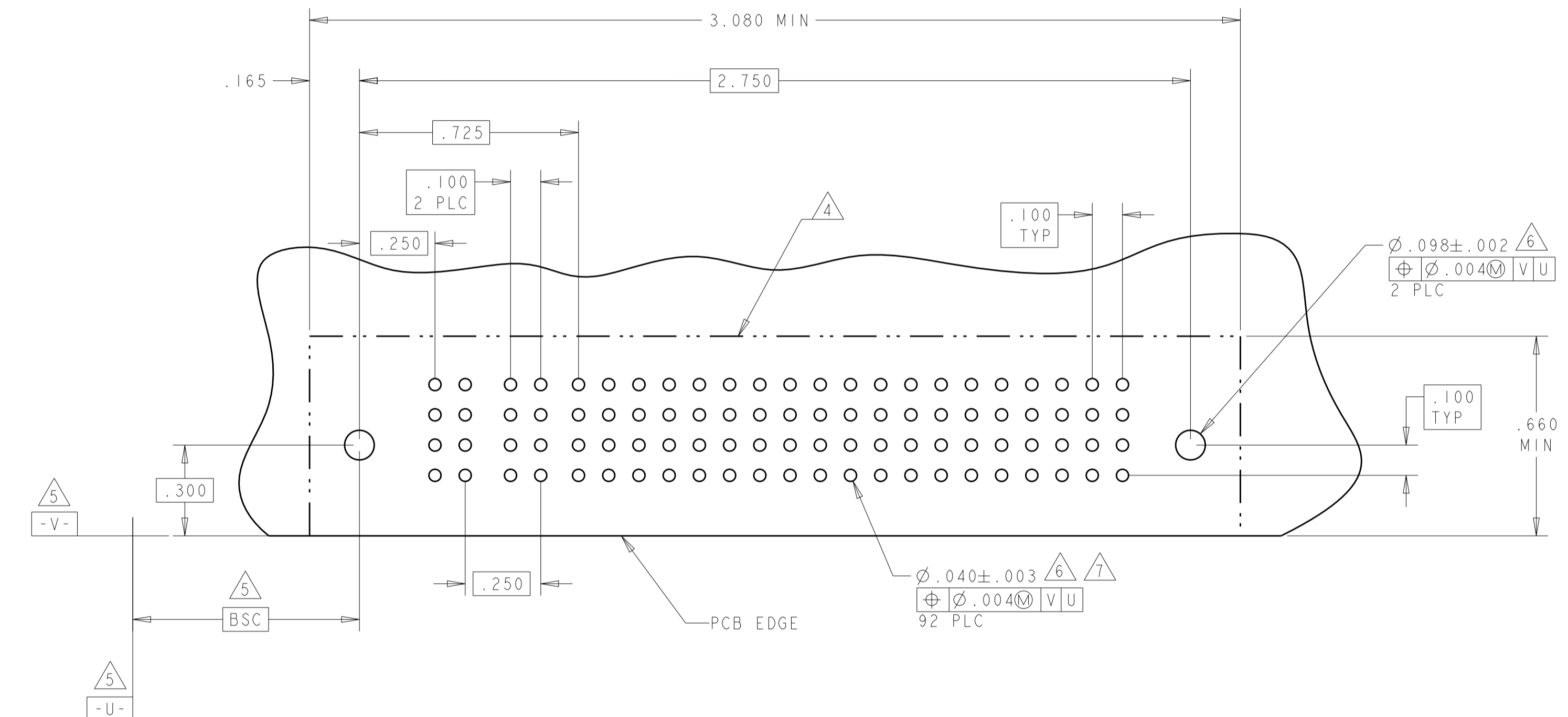
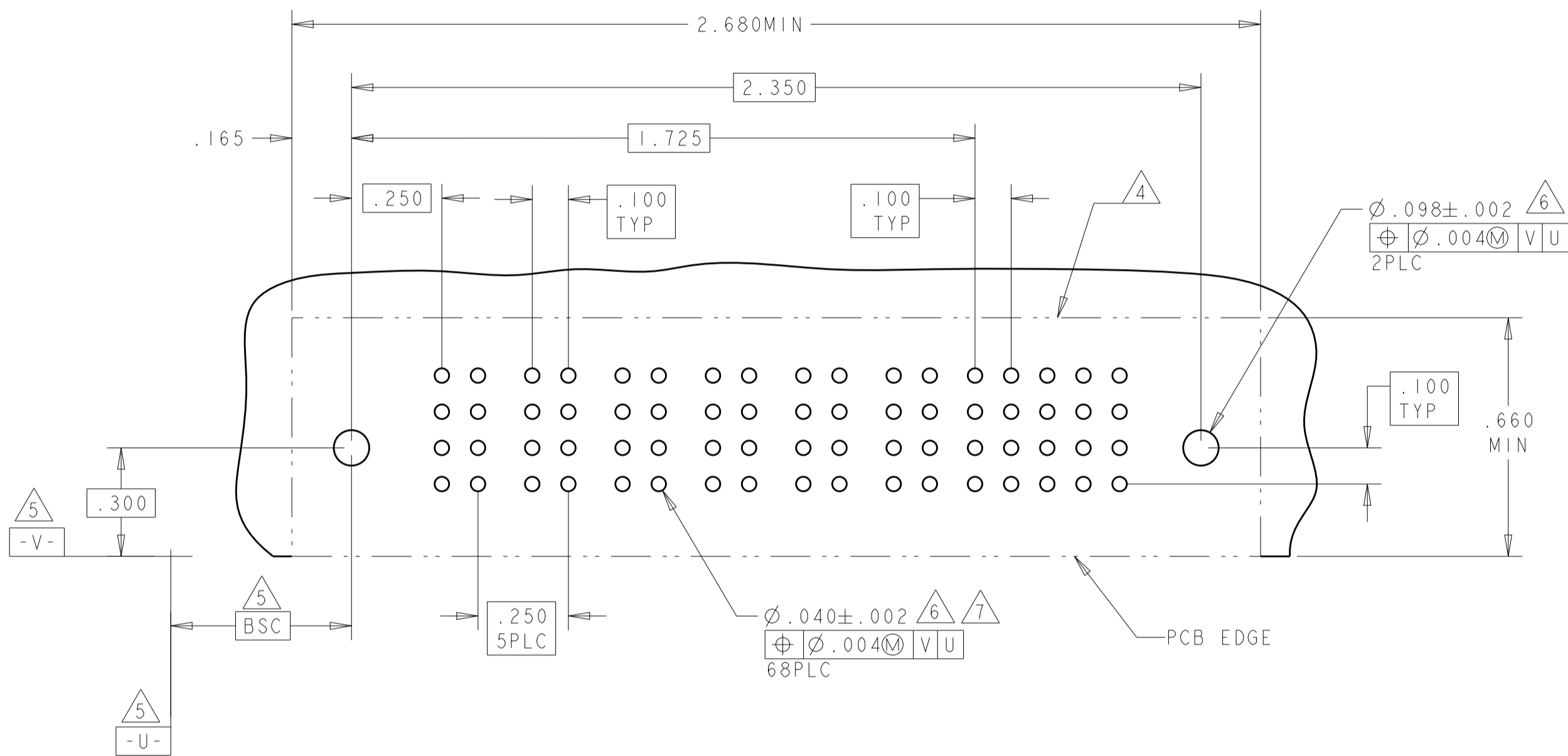
NAME: RIGHT ANGLE HEADER ASSY W/GUIDES MULTI-BEAM XL. SIZE: CAGE CODE: DRAWING NO: A100779, DRAWING NO: C=6450122. RESTRICTED TO: .

CUSTOMER DRAWING. SCALE: 4:1. SHEET: 6 OF 10. REV: E9.

LOC	DIST	REVISIONS			
GP	00	REV	DATE	BY	APPV
		1	SEE SHEET 1		

PART NUMBER	ROWS	POWER						SIGNAL				
		P1	P2	P3	P4	P5	P6	1	2	3	4	5
2-6450122-3	D C B A	PM	PM	PM	PM	PM	PM	J	J	J	J	J
								K	K	K	K	K
								N	N	N	N	N
6P + 20S								S	S	S	S	S

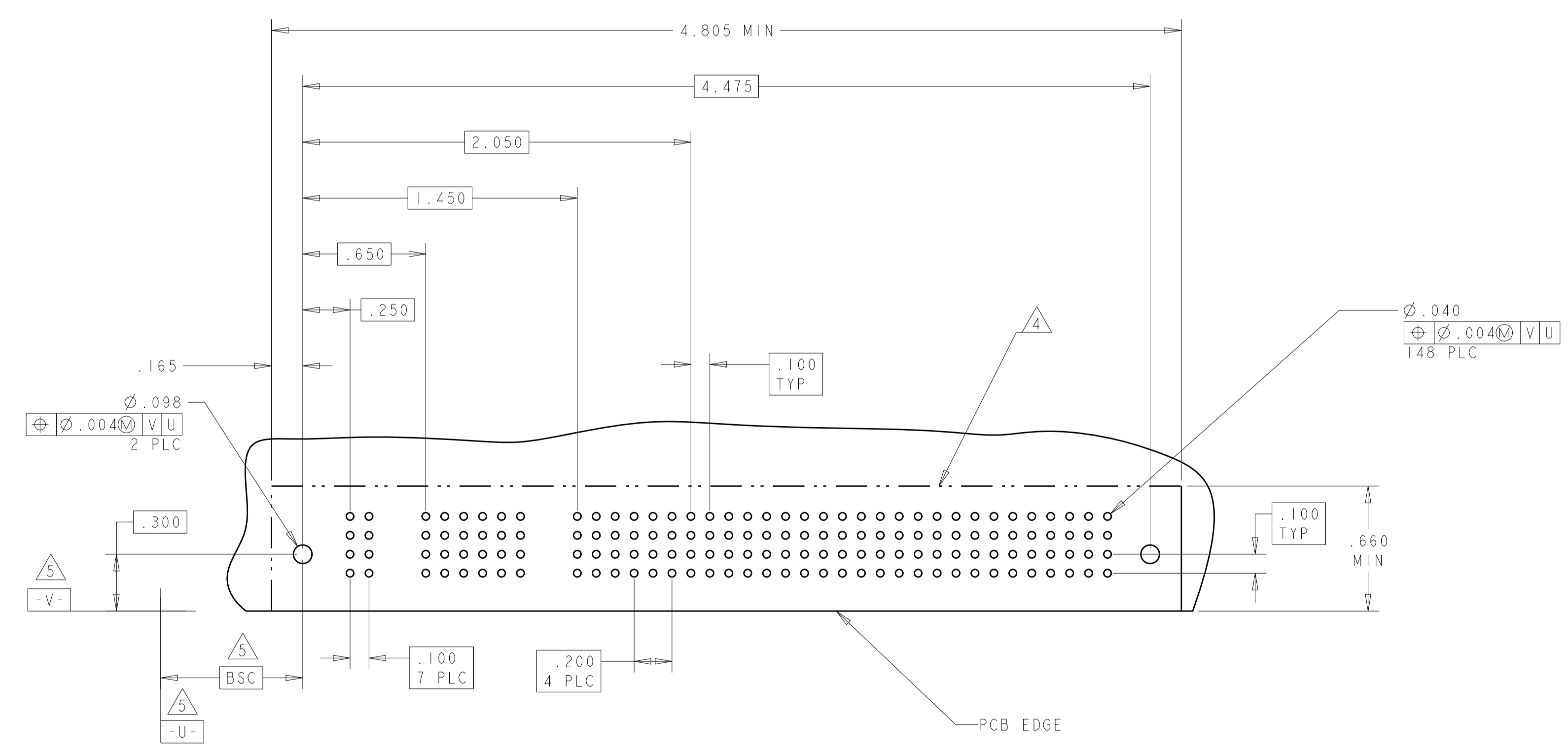
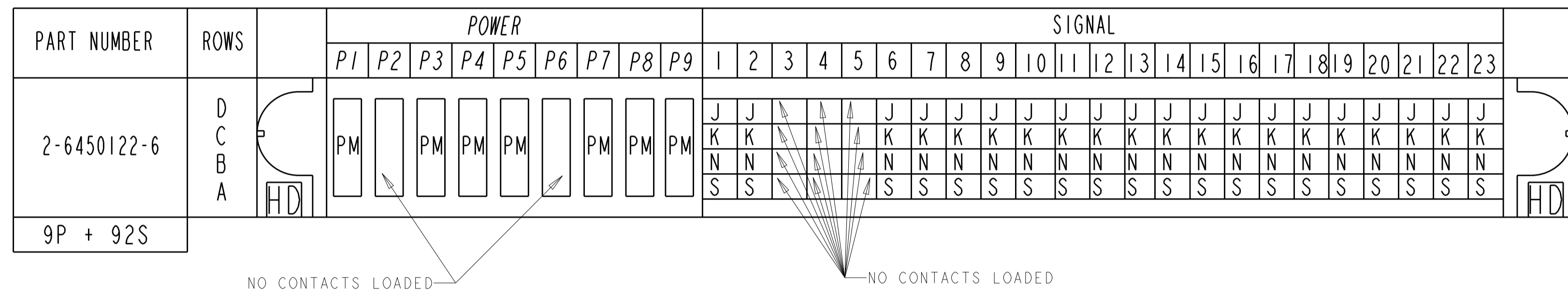
PART NUMBER	ROWS	POWER		SIGNAL																					
		P1	P2	1	2	3	4	5	6	7	8	9	10	11	12	13	14	15	16	17	18	19			
2-6450122-4	D C B A	PA	PA	Z	Z	Z	Z	Z	Z	Z	Z	Z	Z	Z	Z	Z	Z	Z	Z	Z	Z	Z	Z		
				Y	Y	Y	Y	Y	Y	Y	Y	Y	Y	Y	Y	Y	Y	Y	Y	Y	Y	Y	Y	Y	Y
				R	R	R	R	R	R	R	R	R	R	R	R	R	R	R	R	R	R	R	R	R	R
2P + 76S				O	O	O	O	O	O	O	O	O	O	O	O	O	O	O	O	O	O	O	O	O	



PART NUMBER	ROWS	POWER								SIGNAL					
		P1	P2	P3	P4	P5	P6	P7	P8	1	2	3	4	5	6
2-6450122-5	D C B A	PM	PM	PM	PM	PM	PM	PM	PM	J	J	J	J	J	J
										K	K	K	K	K	K
										N	N	N	N	N	N
8P + 24S										S	S	S	S	S	S

THIS DRAWING IS A CONTROLLED DOCUMENT.		OWN: R. GRZYBOWSKI 02FEB05	 TE Connectivity
DIMENSIONS: INCHES		CHK: M. PERCHERKE 02FEB05	
TOLERANCES UNLESS OTHERWISE SPECIFIED:		APVD: M. PERCHERKE	NAME: RIGHT ANGLE HEADER ASSY W/GUIDES MULTI-BEAM XL
0 PLC ±.01 2 PLC ±.01 3 PLC ±.01 4 PLC ±.005 5 PLC ±.005 6 PLC ±.0020 ANGLES ±.020		PRODUCT SPEC: 108-1973	SIZE: A1
MATERIAL: FINISH:		APPLICATION SPEC: 114-13038	CAGE CODE: 6450122
		WEIGHT:	REV: E9
		CUSTOMER DRAWING	SCALE: 4:1 SHEET 7 OF 10

LOC	DIST	REVISIONS			
P	LTN	DESCRIPTION	DATE	DMN	APVD
-	-	SEE SHEET 1	-	-	-

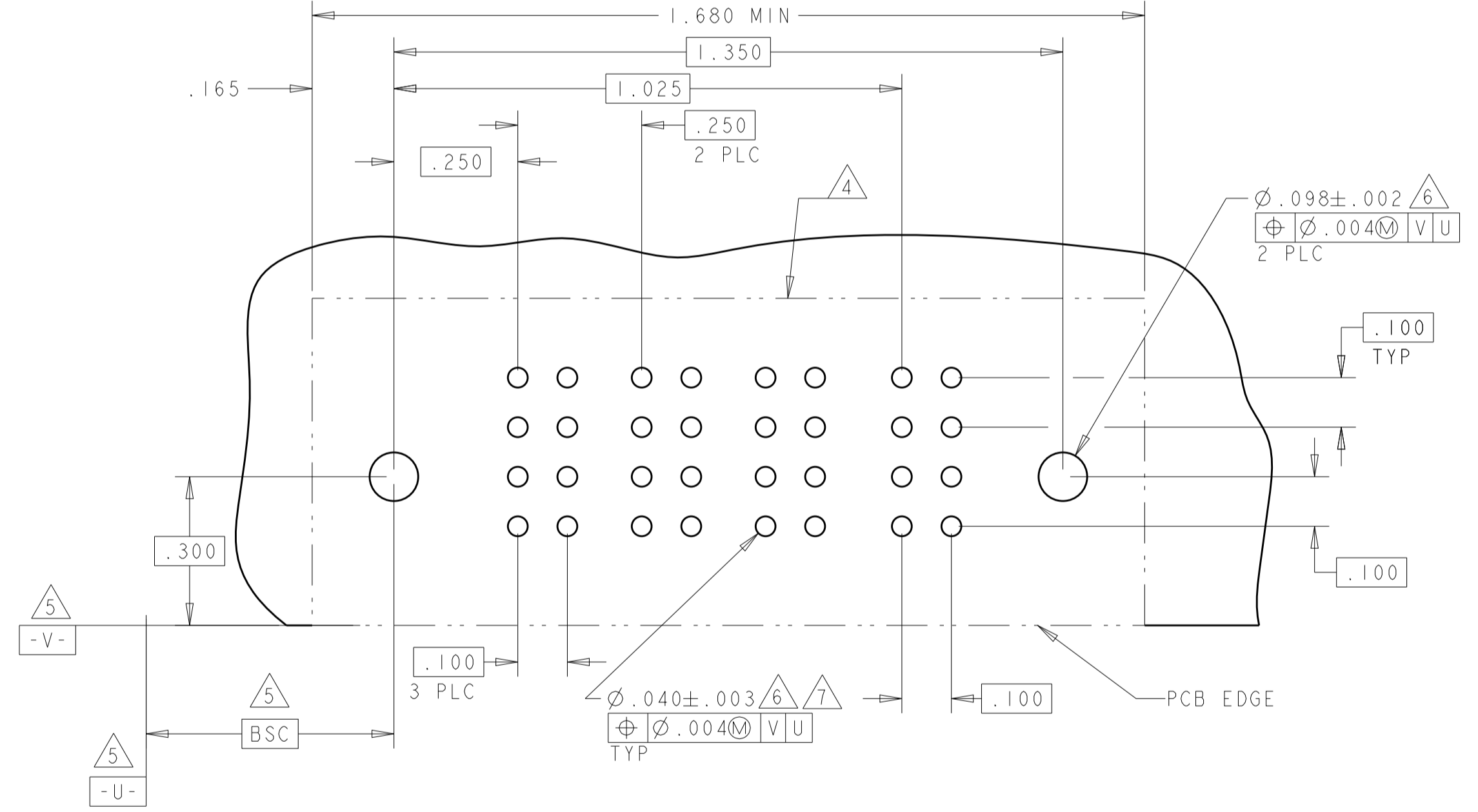
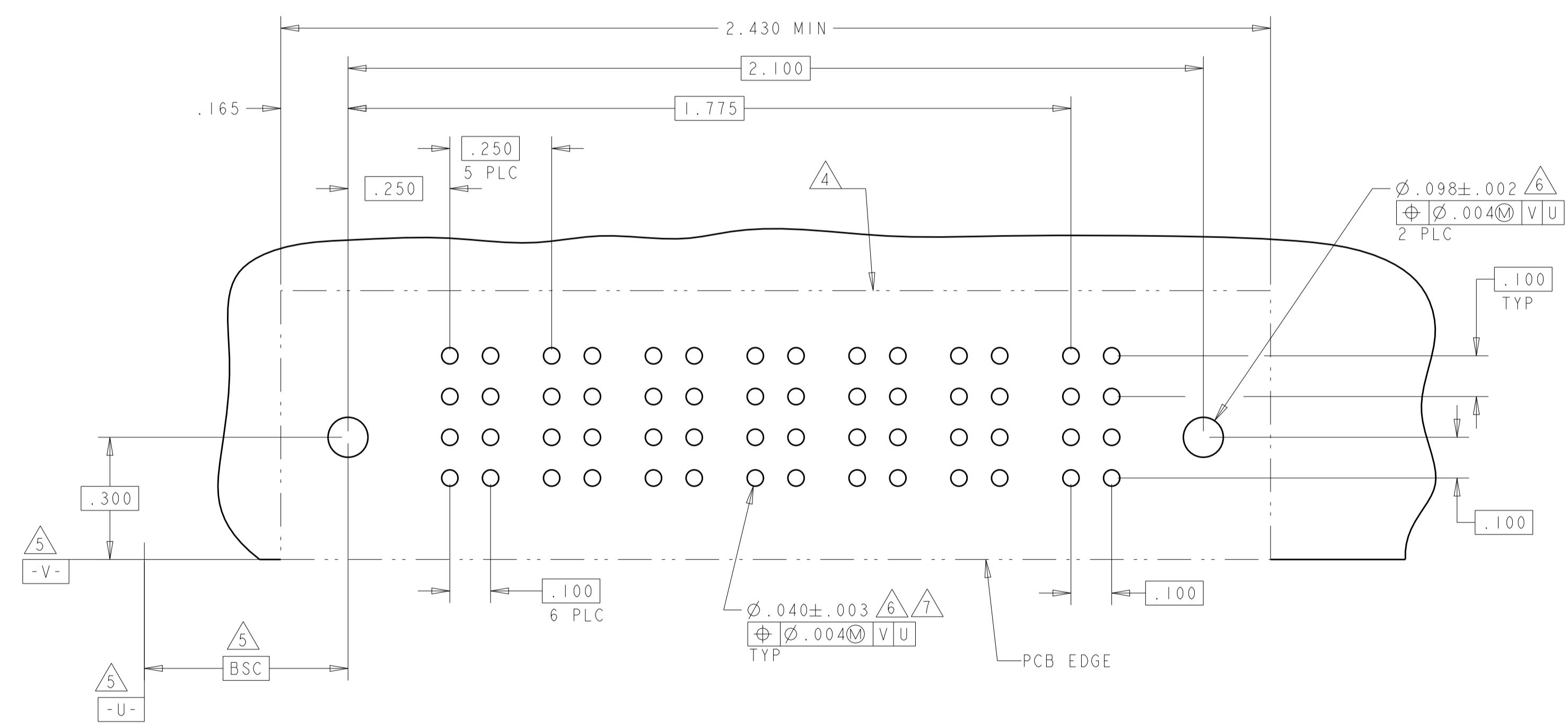


THIS DRAWING IS A CONTROLLED DOCUMENT.		DMN: R. GRZYBOWSKI 02FEB05	TE Connectivity
DIMENSIONS: INCHES		CHK: M. PERCHERKE 02FEB05	
TOLERANCES UNLESS OTHERWISE SPECIFIED: 0 PLC ±. 1 PLC ±.01 2 PLC ±.01 3 PLC ±.005 4 PLC ±.0020 ANGLES ±.2		APVD: M. PERCHERKE	NAME: RIGHT ANGLE HEADER ASSY W/GUIDES MULTI-BEAM XL
MATERIAL: -		PRODUCT SPEC: 108-1973	SIZE: 114-13038
FINISH: -		APPLICATION SPEC: -	RESTRICTED TO: -
CUSTOMER DRAWING		WEIGHT: -	SCALE: 4:1 SHEET 8 OF 10 REV: E9

LOC		DIST		REVISONS			
GP	00	P	LYR	DESCRIPTION	DATE	DMN	APVD
				SEE SHEET 1			

PART NUMBER	ROWS	POWER	SIGNAL							
			P1	P2	P3	P4	P5	P6	1	2
2-6450122-7	D C B A	PM PM PM PM PM PM	J	J						
			K	K						
			N	N						
			S	S						
6P + 8S										

PART NUMBER	ROWS	POWER	SIGNAL				
			P1	P2	P3	1	2
2-6450122-8	D C B A	PM PM PM	J	J			
			K	K			
			N	N			
			S	S			
3P + 8S							



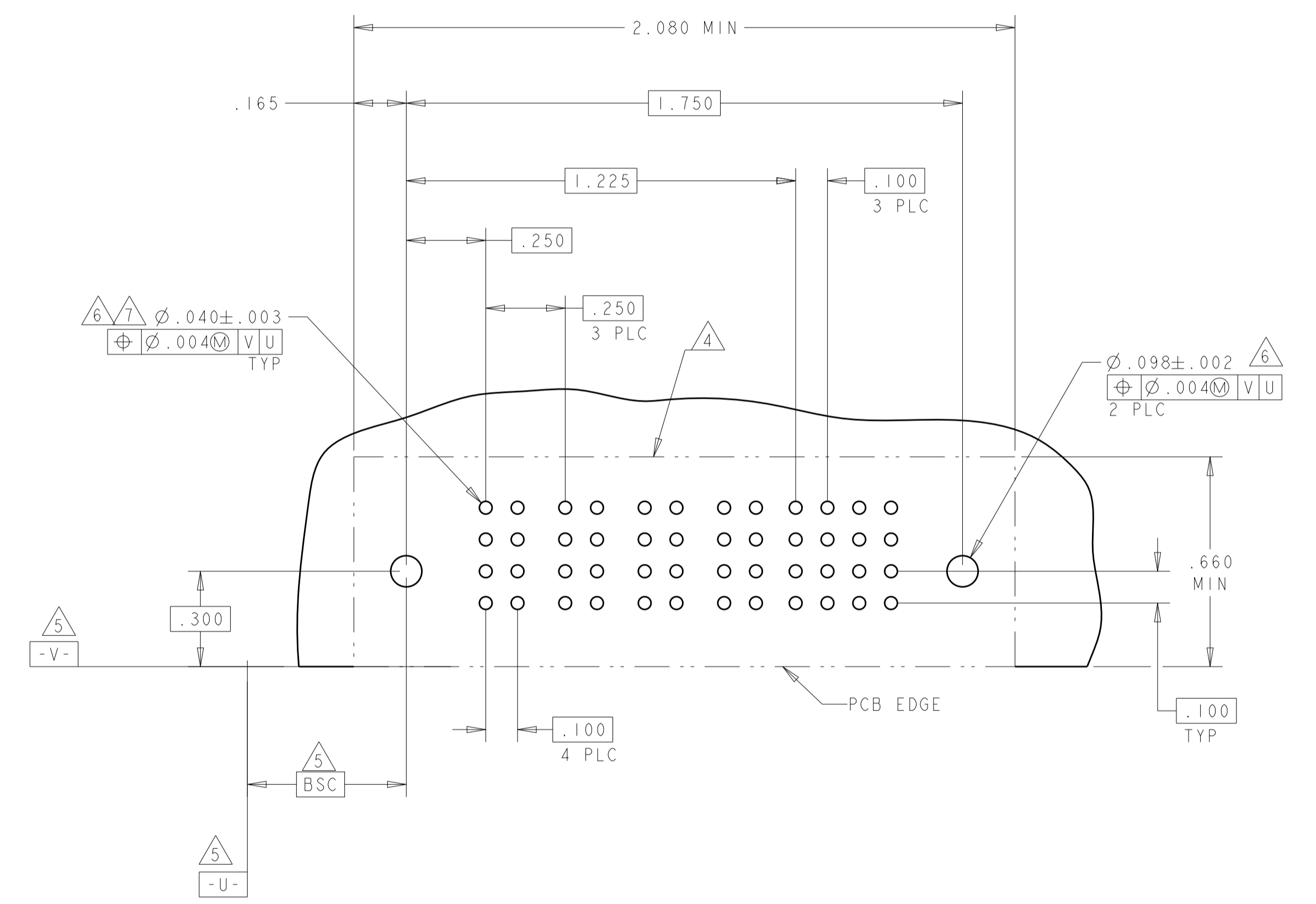
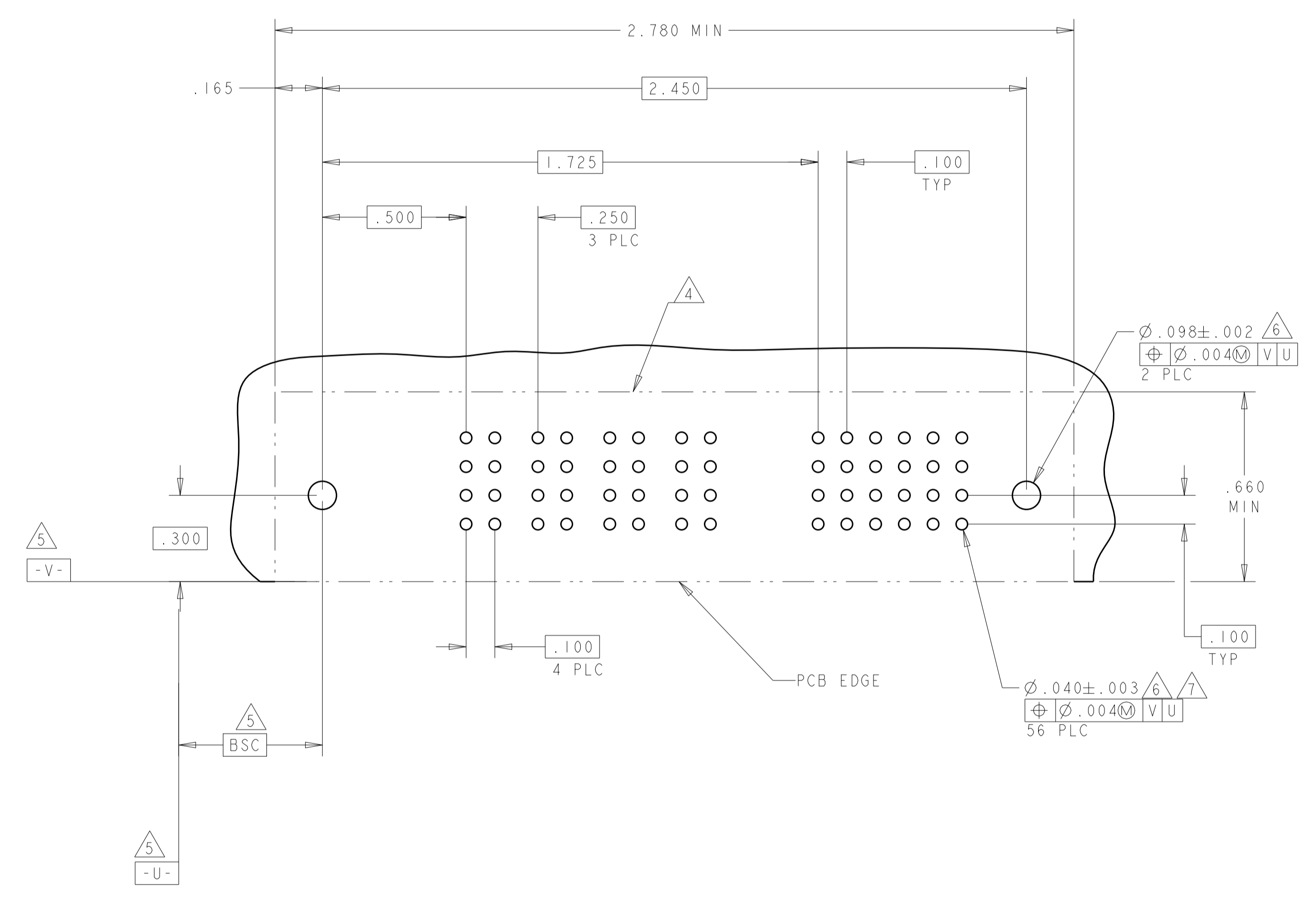
THIS DRAWING IS A CONTROLLED DOCUMENT.		DMN: R. GRZYBOWSKI 02FEB05	TE Connectivity
DIMENSIONS: INCHES		CHK: M. PERCHERKE 02FEB05	
TOLERANCES UNLESS OTHERWISE SPECIFIED:		APVD: M. PERCHERKE	NAME: RIGHT ANGLE HEADER ASSY W/GUIDES MULTI-BEAM XL
0 PLC ±.01		PRODUCT SPEC: 108-1973	SIZE: 114-13038
1 PLC ±.01		APPLICATION SPEC: 114-13038	RESTRICTED TO: A100779
2 PLC ±.01		WEIGHT: -	SCALE: 4:1
3 PLC ±.005		CUSTOMER DRAWING	SHEET 9 OF 10
4 PLC ±.0020			REV: E9
ANGLES ±.2			
FINISH: -			

LOC	DIST	REV	DATE	BY	APPV
GP	00				
REVISIONS					

PART NUMBER	ROWS	POWER						SIGNAL					
		P1	P2	P3	P4	P5	P6	1	2	3	4	5	6
2-6450122-9	D							J	J	J	J	J	J
	C							K	K	K	K	K	K
	B							N	N	N	N	N	N
A								S	S	S	S	S	S
6P + 24S													

NO CONTACTS LOADED

PART NUMBER	ROWS	POWER				SIGNAL			
		P1	P2	P3	P4	1	2	3	4
3-6450122-0	D					J	J	J	J
	C					K	K	K	K
	B					N	N	N	N
A						S	S	S	S
4P + 16S									



THIS DRAWING IS A CONTROLLED DOCUMENT.		OWN: R. GRZYBOWSKI 02FEB05	 TE Connectivity
DIMENSIONS: INCHES		CHK: M. PERCHERKE 02FEB05	
TOLERANCES UNLESS OTHERWISE SPECIFIED:		APVD: M. PERCHERKE	NAME: RIGHT ANGLE HEADER ASSY W/GUIDES MULTI-BEAM XL
0 PLC ±.01		PRODUCT SPEC: 108-1973	SIZE: A100779
1 PLC ±.01		APPLICATION SPEC: 114-13038	CAGE CODE: C=6450122
2 PLC ±.01		WEIGHT: -	RESTRICTED TO: -
3 PLC ±.005		CUSTOMER DRAWING	SCALE: 4:1
4 PLC ±.0020			SHEET 10 OF 10
ANGLES ±.2			REV: E9