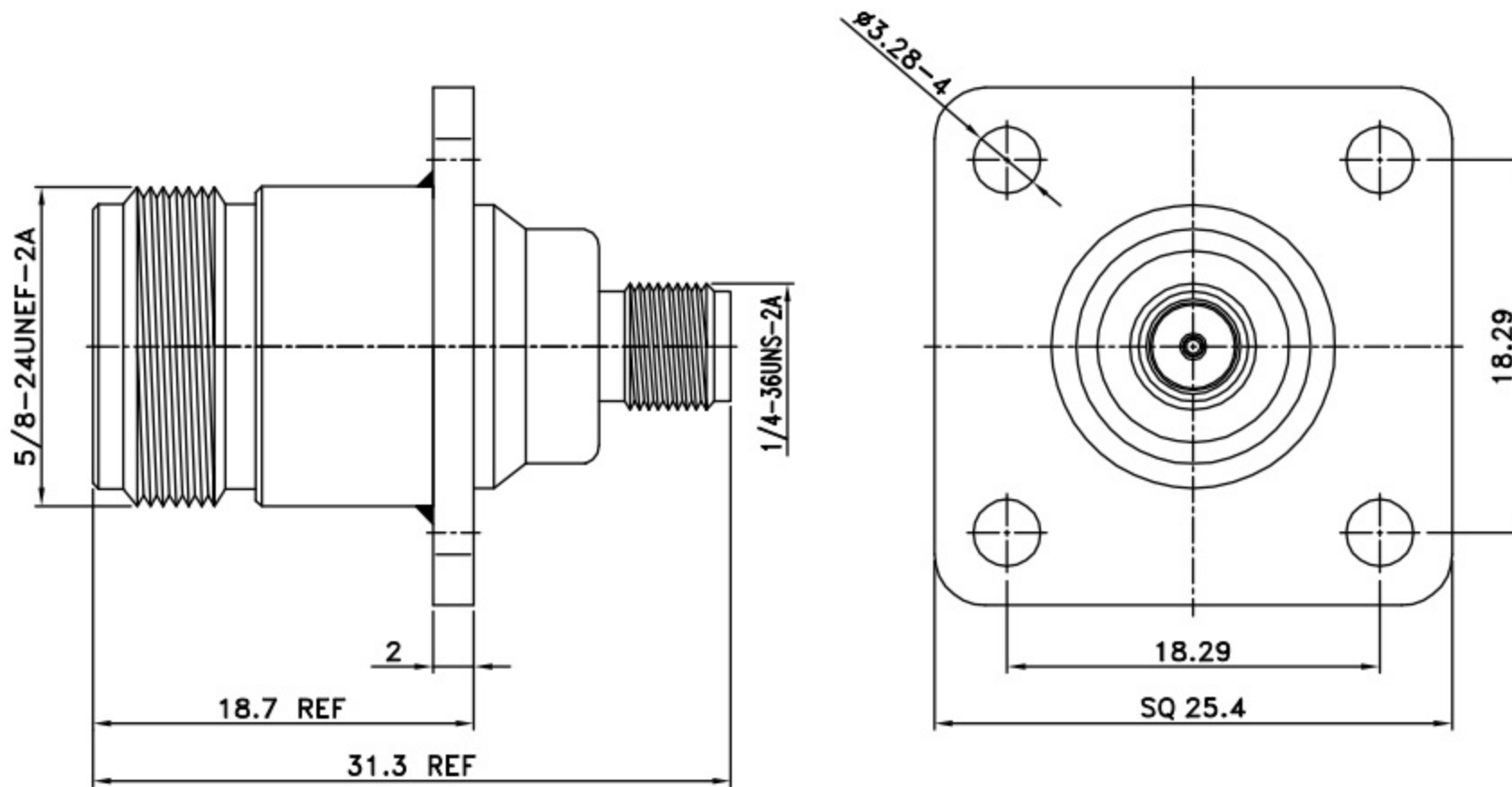


REV	DESCRIPTION\PER REQUEST	DRAWN	DATE



6	Dielectric	1	Teflon	None
5	Dielectric	1	Teflon	None
4	Pin	1	Phos Bronze	Gold
3	Pin	1	Phos Bronze	Gold
2	Body	1	Brass	Nickel
1	Assembly	1	Brass	Nickel
<i>NO</i>	<i>Description</i>	<i>Q'ty</i>	<i>Material</i>	<i>Finish</i>

PART NO.	132P9505
APPROVED	DATE 10/29/12
CHECKED	DATE 10/29/12
DRAWN	DATE 10/29/12
	Wen

* MAJOR DIMENSION
UNLESS OTHERWISE NOTED TOLERANCES
0.5-6=±0.2
6-30=±0.4
30-120=±0.6
120-315=±1.0
ANGLES=±1°
SCALE 5/2 UNIT mm

Bomar Interconnect Products, Inc	
TITLE N PANEL JACK TO SMA JACK ADAPTER	
DRAWING NO.	ASN-11220-1-TGN
REV	A
FILE NO. W:\AS\ASN\ASN-11220-1-TGN Bomar->20121105	