

THIS DRAWING IS UNPUBLISHED. RELEASED FOR PUBLICATION 20  
 © COPYRIGHT 20 BY - ALL RIGHTS RESERVED.

LOC		DIST		REVISIONS			
P	LTR	DESCRIPTION	DATE	DWN	APVD		
AD	00	B3	REVIS PER ECO-11-005027	12MAR2011	RK	HMR	

1 MATERIAL:  
 CONTACT: BRASS  
 LATCH HOUSING, INSERT, COLLET, COLLET NUT:  
 UL 94V-0 RATED THERMOPLASTIC  
 COLOR:  
 COLLET AND INSERT: GRAY  
 LATCH HOUSING AND NUT: SEE TABLE

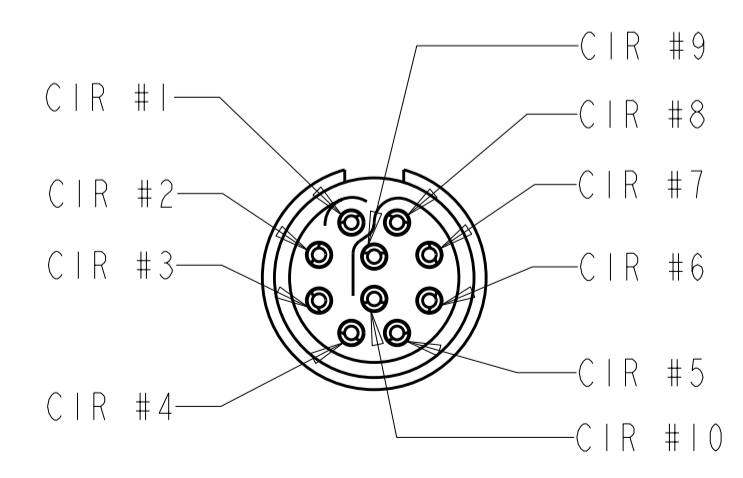
2 FINISH:  
 CONTACT, 0.75µm MIN. GOLD OVER NICKEL

3 SOLDER TERMINATION CONTACT, 28 AWG WIRE MAX.

4. PRODUCT IS SUPPLIED UNASSEMBLED.



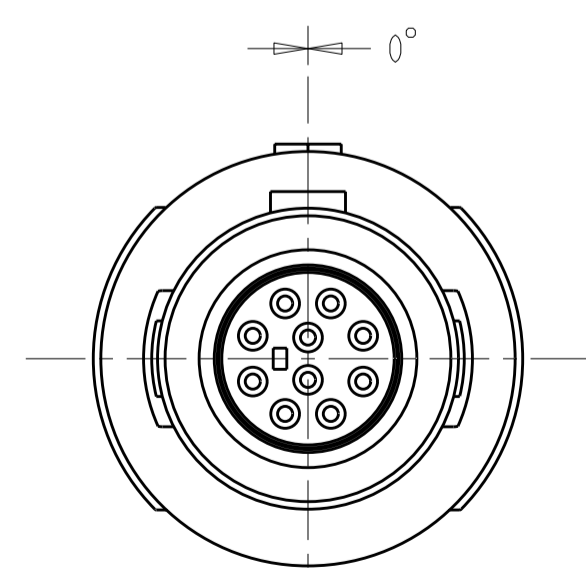
SCALE 3:1



INSERT SUB-ASSY  
 CIRCUIT DESIGNATION VIEW



80° KEYING  
 SCALE 4:1



0° KEYING  
 SCALE 4:1

SEE SHEET 2 FOR  
 PART NUMBER SELECTION

PART NO.

THIS DRAWING IS A CONTROLLED DOCUMENT.		DWN K. MILLER 09MAR2006	TE Connectivity	
		CHK L. BREKOSKY 09MAR2006		
DIMENSIONS: mm		TOLERANCES UNLESS OTHERWISE SPECIFIED:		NAME 10 POSITION, CABLE COLLET STRAIGHT PLUG ASSEMBLY 0 AND 80 DEGREE KEYING
		0 PLC ±	1 PLC ±0.13	PRODUCT SPEC 108-2249
		2 PLC ±0.08	3 PLC ±	APPLICATION SPEC 114-13184
		4 PLC ±	ANGLES ±1°	FINISH
MATERIAL		WEIGHT		SIZE A2
1		2		CAGE CODE 00779
CUSTOMER DRAWING		SCALE 4:1		DRAWING NO. 1877848
		SHEET 1 OF 3		RESTRICTED TO -
		REV B3		

THIS DRAWING IS UNPUBLISHED. RELEASED FOR PUBLICATION 20  
 © COPYRIGHT 20 BY ALL RIGHTS RESERVED.

LOC	DIST	REVISIONS					
AD	00	P	LTR	DESCRIPTION	DATE	DWN	APVD
		-		SEE SHEET 1			

∅2.7-∅3.9	BLUE	GRAY	80°	7-1877848-2
∅4.0-∅5.2	BLUE	GRAY	80°	7-1877848-1
∅5.3-∅6.5	BLUE	GRAY	80°	7-1877848-0
∅2.7-∅3.9	BLUE	GRAY	0°	6-1877848-9
∅4.0-∅5.2	BLUE	GRAY	0°	6-1877848-8
∅5.3-∅6.5	BLUE	GRAY	0°	6-1877848-7
∅2.7-∅3.9	BLUE	BLACK	80°	6-1877848-6
∅4.0-∅5.2	BLUE	BLACK	80°	6-1877848-5
∅5.3-∅6.5	BLUE	BLACK	80°	6-1877848-4
∅2.7-∅3.9	BLUE	BLACK	0°	6-1877848-3
∅4.0-∅5.2	BLUE	BLACK	0°	6-1877848-2
∅5.3-∅6.5	BLUE	BLACK	0°	6-1877848-1
∅2.7-∅3.9	GREEN	GRAY	80°	6-1877848-0
∅4.0-∅5.2	GREEN	GRAY	80°	5-1877848-9
∅5.3-∅6.5	GREEN	GRAY	80°	5-1877848-8
∅2.7-∅3.9	GREEN	GRAY	0°	5-1877848-7
∅4.0-∅5.2	GREEN	GRAY	0°	5-1877848-6
∅5.3-∅6.5	GREEN	GRAY	0°	5-1877848-5
∅2.7-∅3.9	GREEN	BLACK	80°	5-1877848-4
∅4.0-∅5.2	GREEN	BLACK	80°	5-1877848-3
∅5.3-∅6.5	GREEN	BLACK	80°	5-1877848-2
∅2.7-∅3.9	GREEN	BLACK	0°	5-1877848-1
∅4.0-∅5.2	GREEN	BLACK	0°	5-1877848-0
∅5.3-∅6.5	GREEN	BLACK	0°	4-1877848-9
∅2.7-∅3.9	YELLOW	GRAY	80°	4-1877848-8
∅4.0-∅5.2	YELLOW	GRAY	80°	4-1877848-7
∅5.3-∅6.5	YELLOW	GRAY	80°	4-1877848-6
∅2.7-∅3.9	YELLOW	GRAY	0°	4-1877848-5
∅4.0-∅5.2	YELLOW	GRAY	0°	4-1877848-4
∅5.3-∅6.5	YELLOW	GRAY	0°	4-1877848-3
∅2.7-∅3.9	YELLOW	BLACK	80°	4-1877848-2
∅4.0-∅5.2	YELLOW	BLACK	80°	4-1877848-1
∅5.3-∅6.5	YELLOW	BLACK	80°	4-1877848-0
∅2.7-∅3.9	YELLOW	BLACK	0°	3-1877848-9
∅4.0-∅5.2	YELLOW	BLACK	0°	3-1877848-8
∅5.3-∅6.5	YELLOW	BLACK	0°	3-1877848-7
CABLE RANGE	COLLET NUT COLOR	LATCH HOUSING COLOR	KEYING	PART NO.

PART NUMBERS 37 THRU 72

∅2.7-∅3.9	WHITE	GRAY	80°	3-1877848-6
∅4.0-∅5.2	WHITE	GRAY	80°	3-1877848-5
∅5.3-∅6.5	WHITE	GRAY	80°	3-1877848-4
∅2.7-∅3.9	WHITE	GRAY	0°	3-1877848-3
∅4.0-∅5.2	WHITE	GRAY	0°	3-1877848-2
∅5.3-∅6.5	WHITE	GRAY	0°	3-1877848-1
∅2.7-∅3.9	WHITE	BLACK	80°	3-1877848-0
∅4.0-∅5.2	WHITE	BLACK	80°	2-1877848-9
∅5.3-∅6.5	WHITE	BLACK	80°	2-1877848-8
∅2.7-∅3.9	WHITE	BLACK	0°	2-1877848-7
∅4.0-∅5.2	WHITE	BLACK	0°	2-1877848-6
∅5.3-∅6.5	WHITE	BLACK	0°	2-1877848-5
∅2.7-∅3.9	RED	GRAY	80°	2-1877848-4
∅4.0-∅5.2	RED	GRAY	80°	2-1877848-3
∅5.3-∅6.5	RED	GRAY	80°	2-1877848-2
∅2.7-∅3.9	RED	GRAY	0°	2-1877848-1
∅4.0-∅5.2	RED	GRAY	0°	2-1877848-0
∅5.3-∅6.5	RED	GRAY	0°	1-1877848-9
∅2.7-∅3.9	RED	BLACK	80°	1-1877848-8
∅4.0-∅5.2	RED	BLACK	80°	1-1877848-7
∅5.3-∅6.5	RED	BLACK	80°	1-1877848-6
∅2.7-∅3.9	RED	BLACK	0°	1-1877848-5
∅4.0-∅5.2	RED	BLACK	0°	1-1877848-4
∅5.3-∅6.5	RED	BLACK	0°	1-1877848-3
∅2.7-∅3.9	GRAY	GRAY	80°	1-1877848-2
∅4.0-∅5.2	GRAY	GRAY	80°	1-1877848-1
∅5.3-∅6.5	GRAY	GRAY	80°	1-1877848-0
∅2.7-∅3.9	GRAY	GRAY	0°	1877848-9
∅4.0-∅5.2	GRAY	GRAY	0°	1877848-8
∅5.3-∅6.5	GRAY	GRAY	0°	1877848-7
∅2.7-∅3.9	BLACK	BLACK	80°	1877848-6
∅4.0-∅5.2	BLACK	BLACK	80°	1877848-5
∅5.3-∅6.5	BLACK	BLACK	80°	1877848-4
∅2.7-∅3.9	BLACK	BLACK	0°	1877848-3
∅4.0-∅5.2	BLACK	BLACK	0°	1877848-2
∅5.3-∅6.5	BLACK	BLACK	0°	1877848-1
CABLE RANGE	COLLET NUT COLOR	LATCH HOUSING COLOR	KEYING	PART NO.

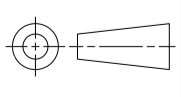
PART NUMBERS 1 THRU 36

THIS DRAWING IS A CONTROLLED DOCUMENT.		DWN K. MILLER 09MAR2006	 TE Connectivity		
		CHK L. BREKOSKY 09MAR2006			
DIMENSIONS: mm		TOLERANCES UNLESS OTHERWISE SPECIFIED: 0 PLC ± 1 PLC ±0.13 2 PLC ±0.08 3 PLC ± 4 PLC ± ANGLES ±1° FINISH		NAME 10 POSITION, CABLE COLLET STRAIGHT PLUG ASSEMBLY 0 AND 80 DEGREE KEYING	
		PRODUCT SPEC 108-2249 APPLICATION SPEC 114-13184		SIZE A2 CAGE CODE 00779 DRAWING NO. 1877848 RESTRICTED TO -	
MATERIAL		WEIGHT		SCALE 4:1 SHEET 2 OF 3 REV B3	
		CUSTOMER DRAWING			

THIS DRAWING IS UNPUBLISHED.      RELEASED FOR PUBLICATION      20  
 © COPYRIGHT 20      BY      ALL RIGHTS RESERVED.

LOC	DIST	REVISIONS					
		P	LTR	DESCRIPTION	DATE	DWN	APVD
AD	00	-		SEE SHEET 1	-	-	-

∅ 2.7-∅ 3.9	BLACK	GRAY	80°	8-1877848-4
∅ 4.0-∅ 5.2	BLACK	GRAY	80°	8-1877848-3
∅ 5.3-∅ 6.5	BLACK	GRAY	80°	8-1877848-2
∅ 2.7-∅ 3.9	BLACK	GRAY	0°	8-1877848-1
∅ 4.0-∅ 5.2	BLACK	GRAY	0°	8-1877848-0
∅ 5.3-∅ 6.5	BLACK	GRAY	0°	7-1877848-9
∅ 2.7-∅ 3.9	GRAY	BLACK	80°	7-1877848-8
∅ 4.0-∅ 5.2	GRAY	BLACK	80°	7-1877848-7
∅ 5.3-∅ 6.5	GRAY	BLACK	80°	7-1877848-6
∅ 2.7-∅ 3.9	GRAY	BLACK	0°	7-1877848-5
∅ 4.0-∅ 5.2	GRAY	BLACK	0°	7-1877848-4
∅ 5.3-∅ 6.5	GRAY	BLACK	0°	7-1877848-3
CABLE RANGE	COLLET NUT COLOR	LATCH HOUSING COLOR	KEYING	PART NO.
<b>PART NUMBERS 73 THRU 84</b>				

THIS DRAWING IS A CONTROLLED DOCUMENT.		DWN K. MILLER 09MAR2006	<b>STE</b> TE Connectivity	
		CHK L. BREKOSKY 09MAR2006		
DIMENSIONS: mm	TOLERANCES UNLESS OTHERWISE SPECIFIED:	APVD -	NAME 10 POSITION, CABLE COLLET STRAIGHT PLUG ASSEMBLY 0 AND 80 DEGREE KEYING	
	0 PLC ±-	PRODUCT SPEC 108-2249	SIZE A2	
	1 PLC ±0.13	APPLICATION SPEC 114-13184	CAGE CODE 00779	DRAWING NO 1877848
MATERIAL	FINISH	WEIGHT -	RESTRICTED TO -	
CUSTOMER DRAWING			SCALE 4:1	SHEET 3 OF 3
			REV B.3	