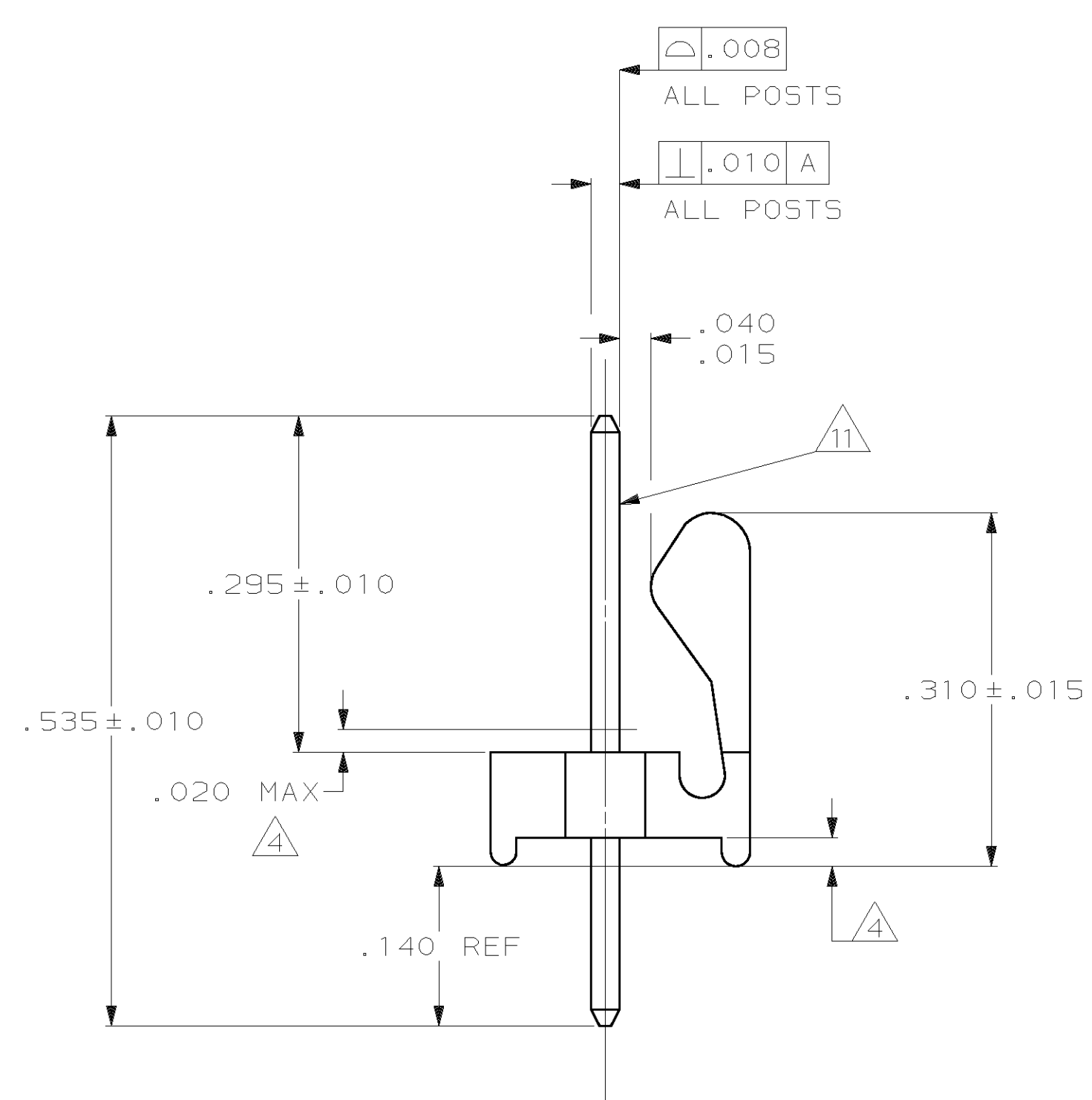
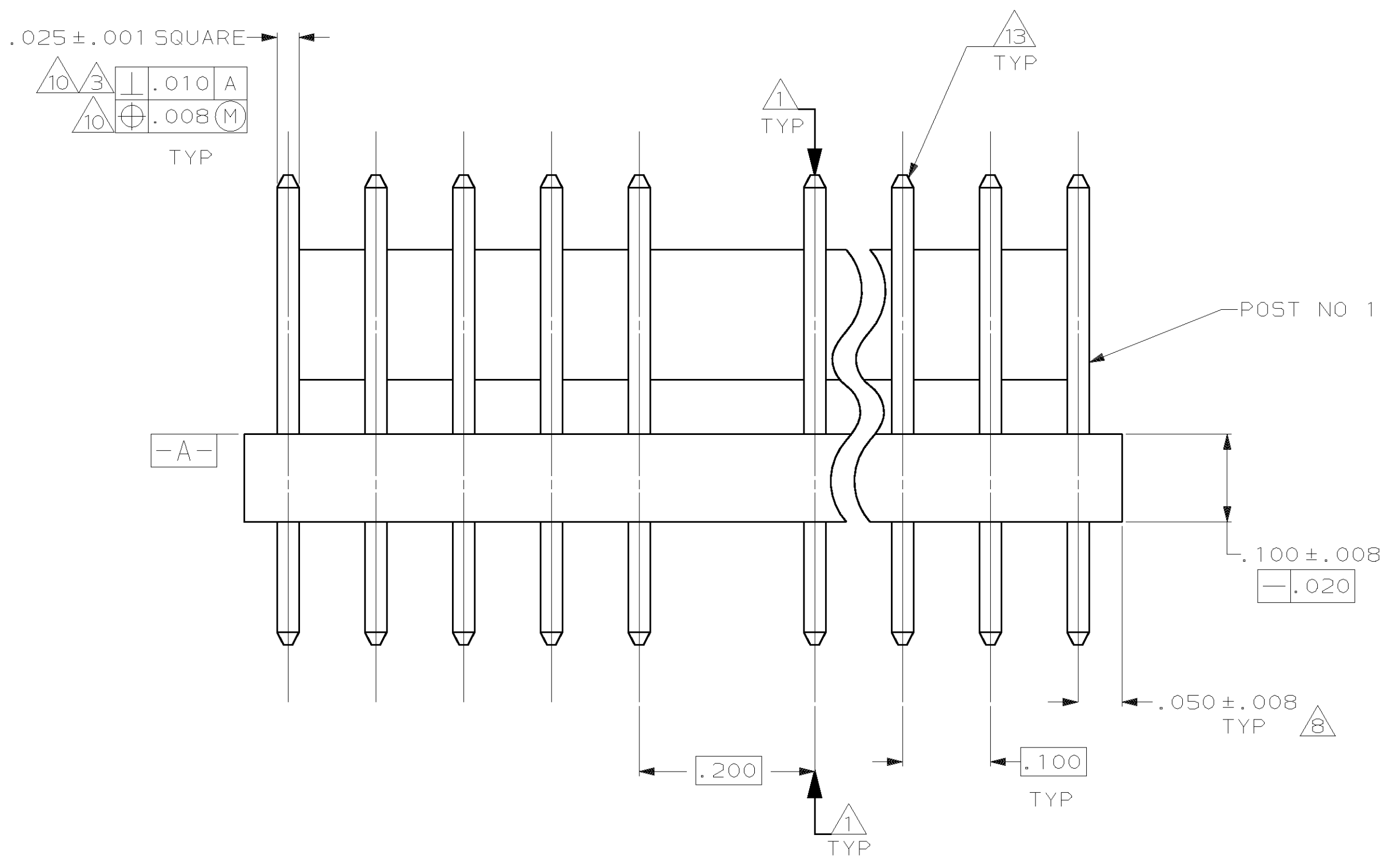
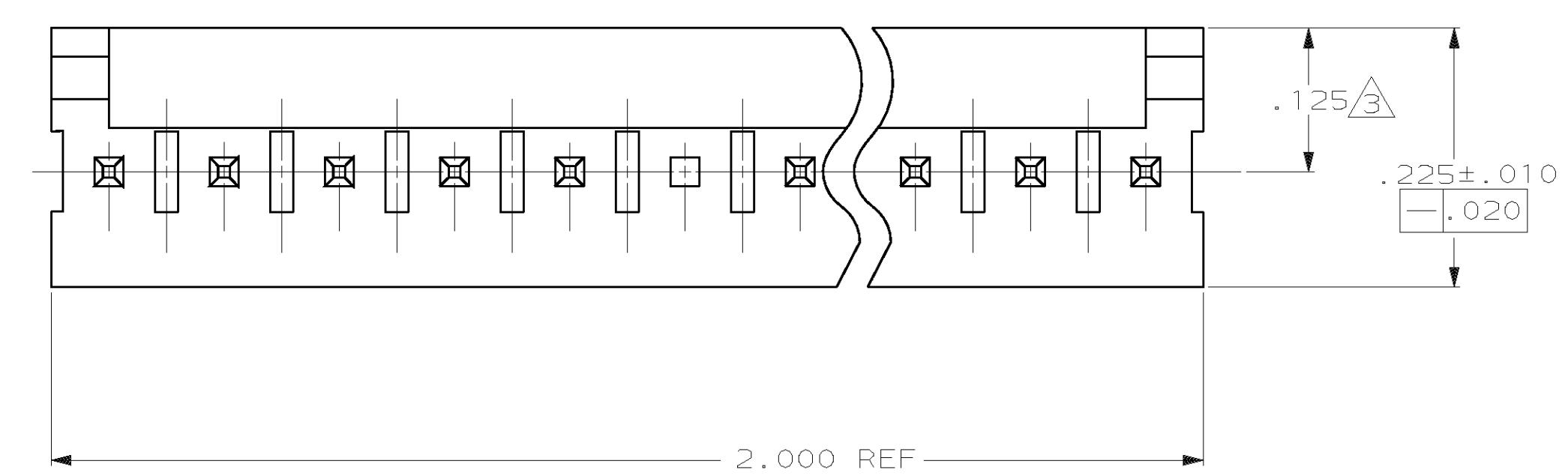
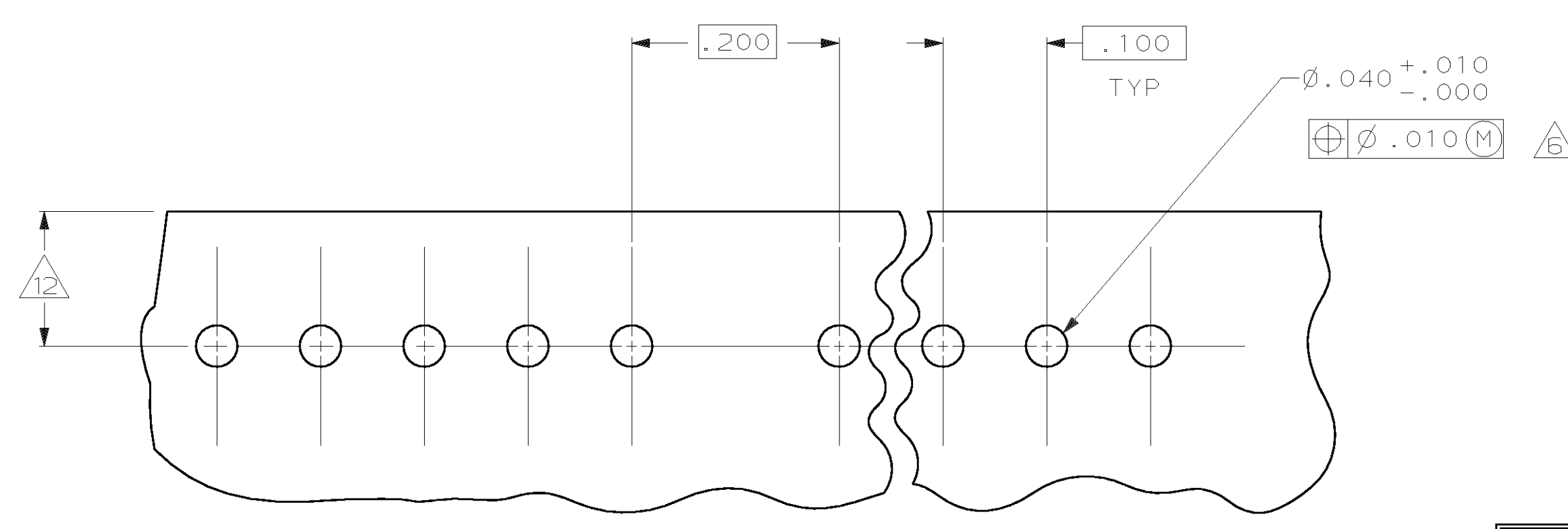


LOC		DIST		P		ZONE		LTR		REVISIONS		DATE	APPD	
CM	54										DESCRIPTION	01-JUL-99	KW	
											E	REV PER EC 0G3B-0018-99		DB



- 1 POST TO WITHSTAND 13 NEWTONS (3 LBS) MIN. AXIAL FORCE IN BOTH DIRECTIONS SHOWN WITHOUT DISLODGING.
- 2 TOLERANCES APPLY TO SOLDER SIDE OF BOARD.
- 3 MEASURED AT SURFACE -A-
- 4 PLASTIC FLASH PERMITTED IN THIS AREA.
- 5 PARTS COMPLY WITH AMP SOLDERABILITY SPEC. NO. 109-11-2.
- 6 ONE HOLE MAY BE UNDERSIZED (.032-.035 DIA) FOR ASSEMBLY RETENTION DURING WAVE SOLDERING.
- 7 MATERIAL: HEADER-THERMOPLASTIC POLYESTER UL94V-0 (NATURAL) POST-COPPER ALLOY (TIN-PLATED)
- 8 COORDINATE DIMENSION APPLIES FROM CENTER OF ACTUAL FEATURE.
- 9 PLASTIC BURRS CAUSED BY CUT-OFF TOOLING ARE PERMITTED WITHIN THE MAXIMUM TOLERANCE ENVELOPE.
- 10 POSTS TO BE MEASURED WHEN STRIP IS HELD FLAT.
- 11 POSTS MUSTS WITHSTAND TWO 90° BENDS AGAINST EXTRUSION WITHOUT BREAKING.
- 12 DIMENSION SHOULD BE .130 MIN WHEN MATING WITH A MTA 100 CONNECTOR ASSEMBLY OR A CST 100 CONNECTOR.
- 13 PIN BURR OF .005 MAX. VERTICAL AND .003 MAX. HORIZONTAL PERMITTED AT POST TIPS ON BOTH ENDS.



RECOMMENDED MOUNTING HOLE PATTERN FOR .063 THICK P.C. BOARD

**METRIC**

THIS DRAWING IS A CONTROLLED DOCUMENT FOR AMP INCORPORATED. IT IS SUBJECT TO CHANGE AND THE CONTROLLING ENGINEERING ORGANIZATION SHOULD BE CONTACTED FOR THE LATEST REVISION.

644296-1 SHOWN

3	644296-4
17	644296-3
4	644296-2
15	644296-1
POST NUMBER OMITTED	PART NUMBER

IN	MM	IN	MM
.050	1.27		
.040	1.02		
.035	0.89	2.000	50.80
.032	0.81	.535	13.59
.025	0.64	.310	7.87
.020	0.51	.295	7.49
.015	0.38	.225	5.72
.010	0.25	.200	5.08
.008	0.20	.140	3.56
.005	0.13	.130	3.30
.003	0.08	.125	3.18
.001	0.03	.100	2.54
.000	0.00	.063	1.60
IN	MM	IN	MM

POST NO. OMITTED		PART NO	
DO NOT SCALE PRINT. UNLESS SPECIFIED DIMENSIONS IN mm [INCHES]		DR 3-10-95 J. HUFFMAN	
TOLERANCES ON:		CHK 3-10-95 R. SWING	
2 PLC DEC ±		APPD 3-10-95 B. GENTRY	
3 PLC DEC ± .005		APPD 3-10-95 B. GENTRY	
ANGLES ± 0°30'		PRODUCT SPEC -	
MATERIAL		APPLICATION SPEC -	
FINISH		WEIGHT -	
NAME		SIZE	CAGE CODE
MTA-100 HEADER ASSEMBLY, FRICTION LOCK, NOTCHED, .025 SQUARE STRAIGHT POST, TIN PLATED, 20 POSITION, OMITTED POST		D	00779
DRAWING NO		DRAWING NO	
C-644296		C-644296	
SCALE		SHEET	
8:1		1 OF 1	