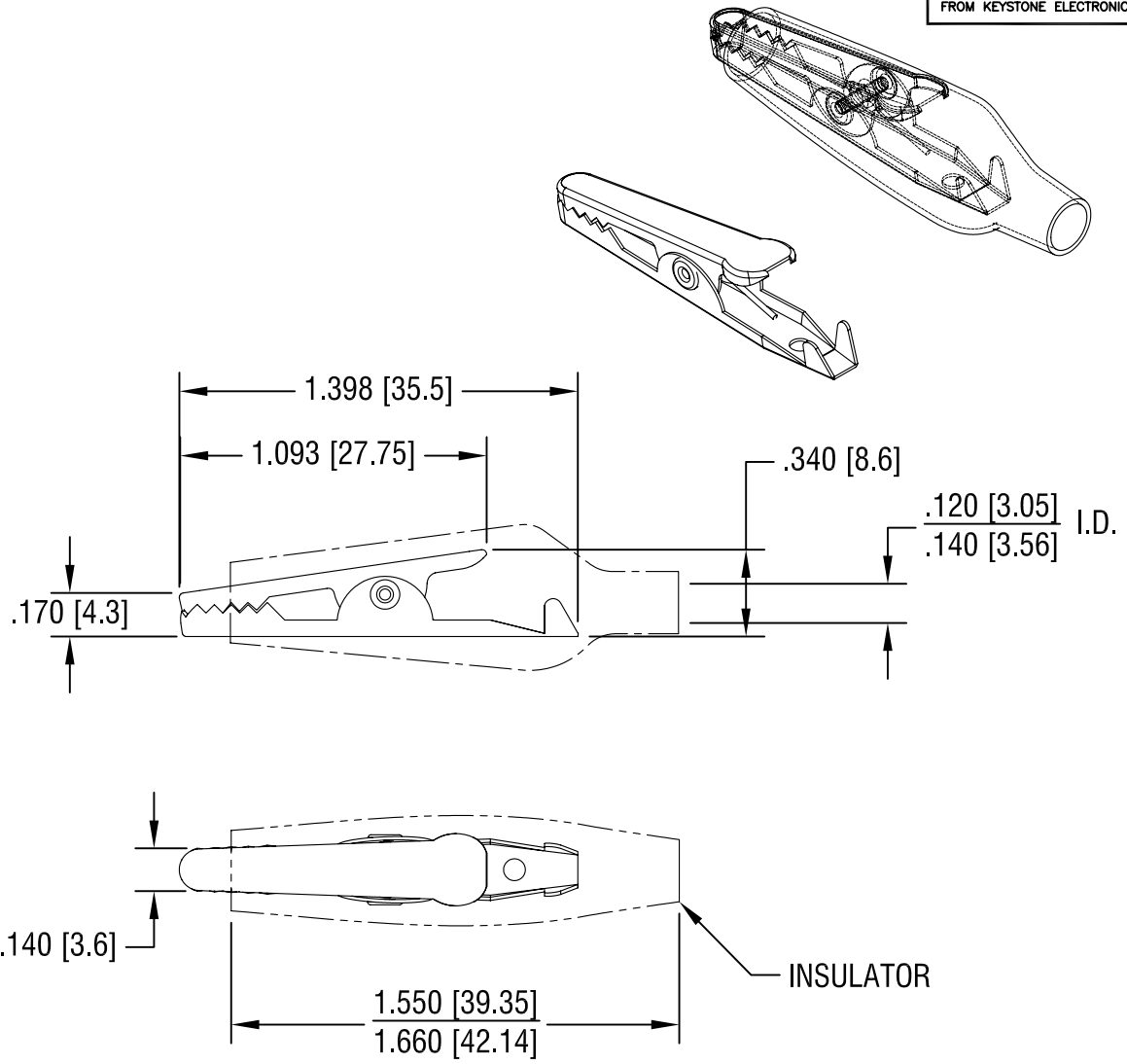


THIS DOCUMENT IS THE PROPERTY OF
KEYSTONE ELECTRONICS CORP. AND
SHALL NOT BE REPRODUCED, DISTRIBUTED
OR USED AS A BASIS FOR MANUFACTURE
WITHOUT PRIOR WRITTEN PERMISSION
FROM KEYSTONE ELECTRONICS CORP.



| | |
|-------------|-----------------------|
| PART NUMBER | VINYL INSULATOR COLOR |
| 5038 | NO INSULATION |
| 5039 | RED |
| 5040 | BLACK |

| | | | |
|---|-----------------|----------------|------------------|
| KEYSTONE ELECTRONICS CORP. | | | |
| www.keyelco.com • ASTORIA, N.Y. 11105-2017 • Tel (718) 956-8900 | | | |
| PART NAME | | ALLIGATOR CLIP | |
| MATERIAL | | STEEL | |
| FINISH | | DRN BY | DATE |
| NICKEL PLATE | | NT | 8.29.08 |
| | | APP'D | SCALE |
| | | LN | 1.5X |
| TOLERANCES | INCH [MM] | CODE | DWG NO. |
| DECIMAL | ± .020 [± 0.50] | C/M | 5038-5040 |
| ANGULAR | ± 1° | | |
| UNLESS OTHERWISE SPECIFIED | | | |

| | | |
|------|-------------|------|
| DATE | DESCRIPTION | REV. |
|------|-------------|------|