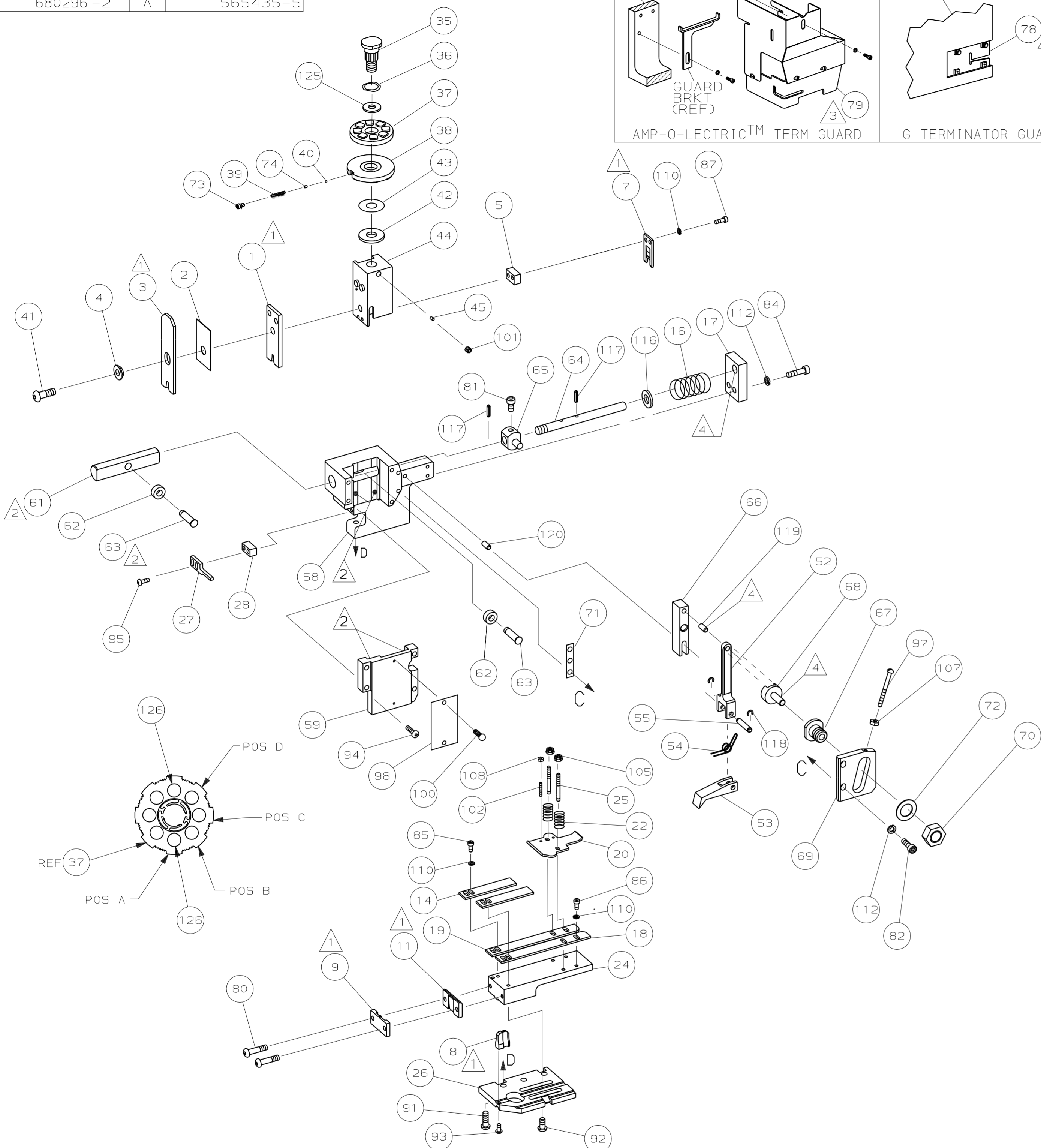
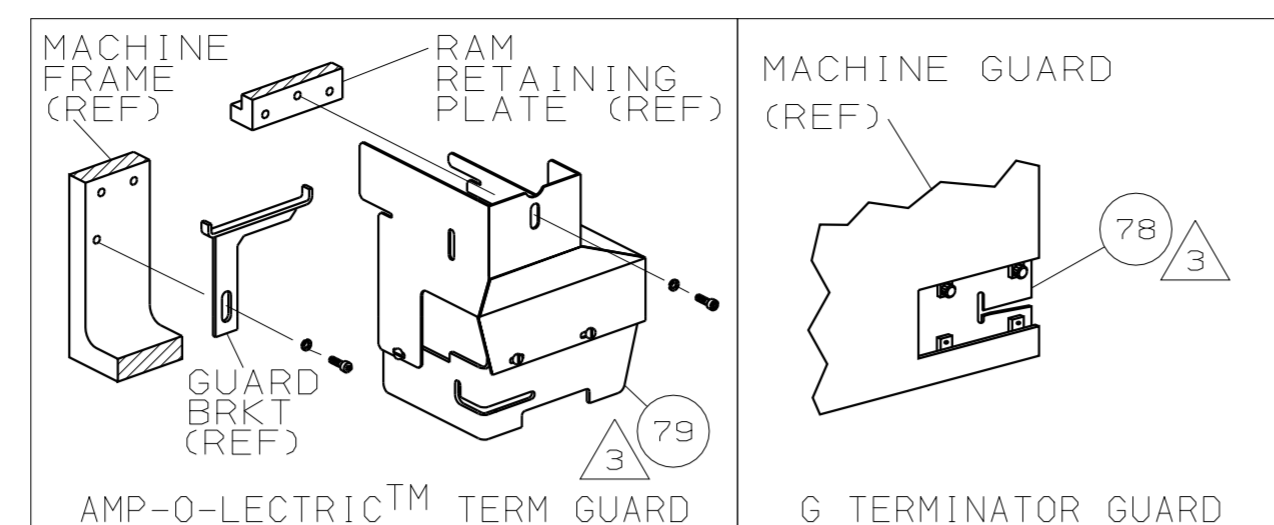


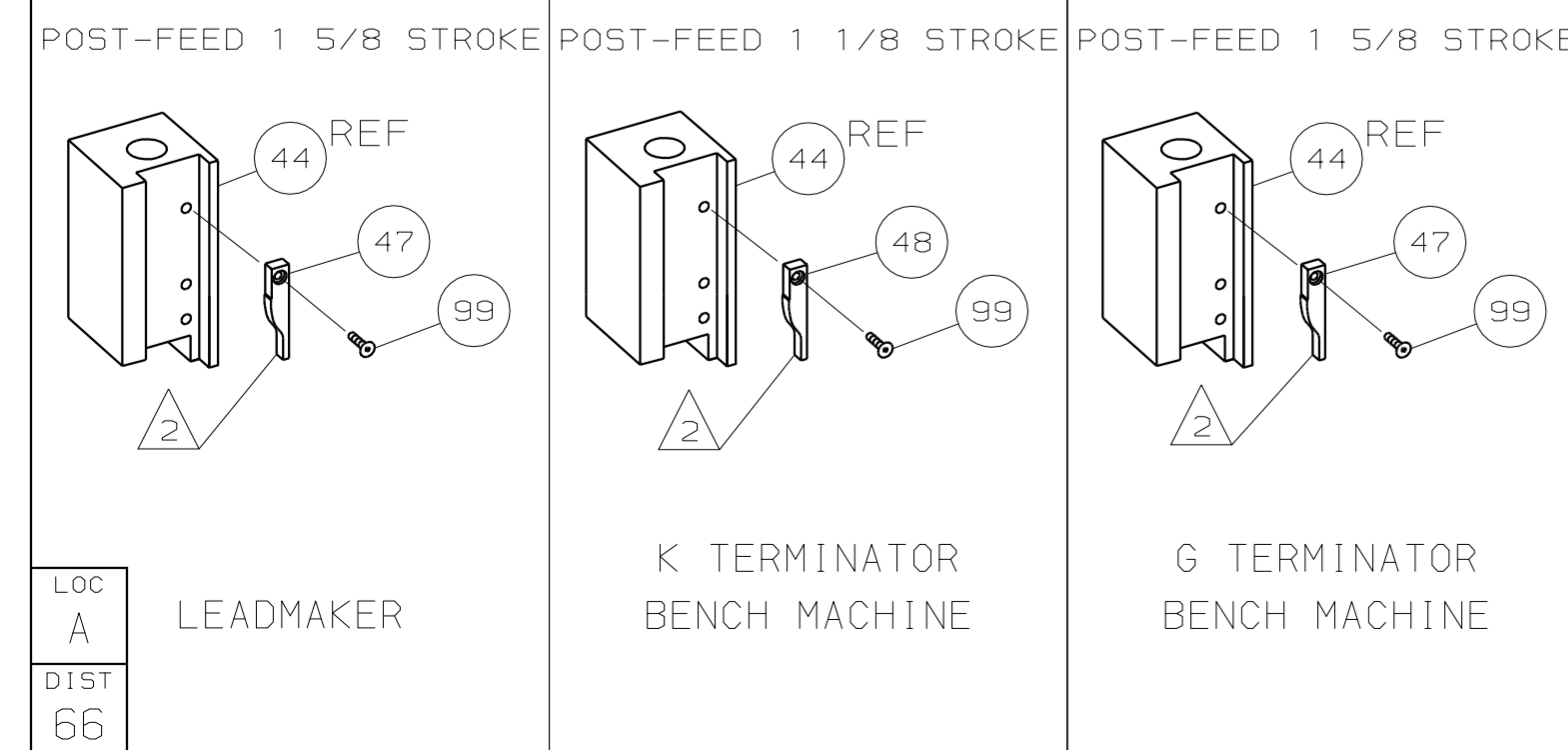
PART NUMBER	REV	FIRST USED
680296-1	A	122500-1
680296-2	A	565435-5



TERMINAL NAME: RING SPECIAL		61743		CRIMPING DATA	
PAD LTR	CRIMP HEIGHT	WIRE SIZE			
A	.027 ±.002 [0.69 ±0.05mm]	26			
B	NOT	USED			
C	NOT	USED			
D	NOT	USED			
CRIMP	SIZE	TYPE	RANGE		
WIRE	.074 [1.88mm]	F	26		
INSUL	.080 [2.03mm]	0	φ.040-.070		
WIRE STRIP LENGTH	TERM APPL SPEC	FEED	APPL INSTRUCTION	SET UP GAGE	LAYOUT
-	114-2084	.450	408-8039	458638-1	L1237

-1 LEADMAKER & BENCH MODEL G		MECH POST FEED				
-2 BENCH MODEL K		MECH POST FEED				
1	1	-	A	22594-8	NUT, HEX	70
1	1	-	B	240628-1	PLATE, ADJ	69
1	1	-	B	240626-1	SHAFT, PIVOT	68
1	1	-	B	240633-1	BUSHING	67
1	1	-	A	455680-1	LEVER, INTERMEDIATE	66
1	1	-	B	240629-1	BLOCK, PIVOT	65
1	1	-	A	240632-2	SCR, ADJ	64
1	1	-	B	240659-3	PIN, CAM ROLLER	63
1	1	-	B	240658-1	CAM, ROLLER	62
1	1	-	B	454398-1	ROD, FEED	61
1	1	-	C	454220-1	CAP, RAM	59
1	1	-	D	453736-1	HOUSING	58
1	1	-				57
1	1	-				56
1	1	-	B	240624-1	PIN, FEED FINGER	55
1	1	-	B	691499-1	SPRING, FEED FINGER	54
1	1	-	B	694921-8	FINGER, FEED	53
1	1	-	B	240634-1	LEVER, TERMINAL	52
1	1	-				51
1	1	-				50
1	1	-				49
1	-	-	B	690501-3	CAM, POST FEED 1 1/8 ST	48
-	1	-	B	690501-4	CAM, POST-FEED 1 5/8 ST	47
1	1	-	A	690191-1	PLUG, NYLON	45
1	1	-	C	455674-2	RAM	44
1	1	-	A	690125-1	WASHER, LAMINATED	43
1	1	-	A	690124-1	WASHER, RAM	42
1	1	-	A	7-21002-9	BOLT, CRIMPER (5/16-24x1.00)	41
1	1	-	A	23241-6	BALL, STEEL	40
1	1	-	A	690170-1	SPRING, COMPRESSION	39
1	1	-	C	690142-1	DISC, INSULATION	38
1	1	-	D	354777-1	WIRE DISC, PLASTIC	37
1	1	-	A	22480-5	WASHER, SPRING	36
1	1	-	B	690212-1	POST, RAM	35
1	1	-				34
1	1	-				33
1	1	-				32
1	1	-				31
1	1	-				30
1	1	-				29
1	1	-	B	1-690451-1	SPACER, STRIPPER	28
1	1	-	A	240639-1	STRIPPER	27
1	1	-	C	455676-1	PLATE, BASE	26
2	2	-	A	22354-8	DRAG, STUD	25
1	1	-	B	455678-1	PLATE, STRIP GUIDE	24
2	2	-	A	4-22281-1	SPRING, DRAG	22
1	1	-	A	454177-1	DRAG, STOCK	20
1	1	-	B	458030-8	GUIDE, STRIP (REAR)	19
1	1	-	C	458031-8	GUIDE, STRIP (FRONT)	18
1	1	-	A	454178-1	GUIDE, FEED ROD	17
1	1	-	A	4-22284-9	SPRING, FEED RETURN	16
2	2	-	B	463450-1	GUIDE, FEED FINGER	14
1	1	-	B	240644-1	PLATE, REAR SHEAR	11
1	1	-	B	2-690482-5	PLATE, FRONT SHEAR	9
1	1	-	D	7-240654-1	ANVIL	8
1	1	-	B	2-690474-9	BLADE, SLUG	7
1	1	-				6
1	1	-	C	4-240641-3	SPACER, SLUG BLADE	5
1	1	-	B	238009-8	SPACER, BLOCK CRIMPER	4
1	1	-	C	6-456135-5	CRIMPER, INSULATION	3
1	1	-	B	455888-1	SPACER, CRIMPER	2
1	1	-	C	1-568176-5	CRIMPER, WIRE	1

						129
						128
						127
2	2	-	C	6-354779-8	PIN, WIRE DISC (.3330)A	126
1	1	-	A	986950-1	WASHER, FLAT PRECISION	125
1	1	-	A	217238-1	DOCUMENTATION PACKAGE	124
1	1	-	-	4088039	EF APPL INST 408-8039	123
						122
						121
1	1	-	A	1-21030-7	PIN, DOWEL (φ.187x1.50)HSG	120
1	1	-	A	1-21030-1	PIN, DOWEL (φ.187x.50)LEVER	119
2	2	-	A	21045-3	RING, RET "C" (φ.187)FD PIN	118
2	2	-	A	5-21028-1	PIN, STD SPRING (φ.12)FD ADJ ROD	117
1	1	-	A	21899-4	WASHER, FLAT (φ5/16) SCR ADJ	116
						115
						114
						113
4	4	-	A	21024-5	WASHER, LOCK (NO.10)FD ROD GDE	112
						111
6	6	-	A	21024-4	WASHER, LOCK (NO.8) SHEAR BL	110
						109
2	2	-	A	21018-4	NUT, HEX (4-40) DRAG	108
1	1	-	A	21018-5	NUT, HEX (6-32)FD ADJ PL	107
						106
2	2	-	A	21022-2	NUT, HEX SL (8-32)DRAG STUD	105
						104
						103
2	2	-	A	2-21006-6	SCR, SKT SET (4-40x.62)DRAG	102
1	1	-	A	21009-2	SCR, SKT SET (1/4-20x.25)RAM	101
2	2	-	A	21017-2	SCR, DRIVE (#2x.19) ID PLATE	100
1	1	-	A	1-21002-7	SCR, BHC (6-32x.38)CAM	99
1	1	-	B	461264-1	PLATE, IDENTIFICATION	98
1	1	-	A	6-23715-5	SCR, PAN HD (6-32x1.50)FEED ADJ	97
						96
2	2	-	A	2-21002-2	SCR, BHC (8-32x.50)STRIPPER	95
4	4	-	A	2-21002-9	SCR, BHC (10-32x.75)HSG CAP	94
1	1	-	A	22733-8	SCR, BHC (8-32x.38 LW)ANVIL	93
4	4	-	A	3-21002-3	SCR, BHC (1/4-20x.50)ST GD PL	92
3	3	-	A	2-22733-8	SCR, BHC (1/4-20x.62)BASE PL	91
						90
						89
						88
2	2	-	A	7-21000-4	SCR, SHC (8-32x.31)SLUG BLADE	87
2	2	-	A	2-21000-6	SCR, SHC (8-32x.38)STRIP GUIDE	86
3	3	-	A	2-21000-7	SCR, SHC (8-32x.50)STRIP GUIDE	85
2	2	-	A	3-21000-7	SCR, SHC (10-32x.75)FEED ROD GDE	84
						83
2	2	-	A	3-21000-6	SCR, SHC (10-32x.62)FEED ADJ PL	82
1	1	-	A	3-21000-4	SCR, SHC (10-32x.38)PIVOT BLOCK	81
2	2	-	A	3-21002-0	SCR, BHC (10-32x.88)SHEAR PL	80
REF	-	-	A	455745-1	GUARD, WINDOW	79
-	REF	-	A	679532-1	INSERT, GUARD	78
						77
						76
						75
1	1	-	A	690603-1	SPRING, ASSIST	74
1	1	-	A	23030-1	SCR, SKT CAP (6-32x.25)CP DSC	73
1	1	-	A	458109-1	WASHER, FLAT (SPECIAL)	72
1	1	-	A	690517-1	SPACER	71



- 1 RECOMMENDED SPARE PARTS.
- 2 GREASE LIGHTLY.
- 3 GUARD MUST BE IN PLACE WHEN OPERATING APPLICATOR IN A BENCH MACHINE.
- 4 LUBRICATE DAILY USING NO. 20 MACHINE OIL.
- 5 ITEM 78 USED WITH G TERMINATOR ONLY.

QTY	REQD	PER	ASSY	U/M	DWG SIZE	PART NO	DESCRIPTION	ITEM NO
-2	-1							

QTY	REQD	PER	ASSY	U/M	DWG SIZE	PART NO	DESCRIPTION	ITEM NO
-2	-1							

THIS DRAWING IS A CONTROLLED DOCUMENT FOR AMP INCORPORATED. IT IS SUBJECT TO CHANGE AND THE CONTROLLING ENGINEERING ORGANIZATION SHOULD BE CONTACTED FOR THE LATEST REVISION.

THIS INFORMATION IS CONFIDENTIAL AND IS DISCLOSED TO YOU ON CONDITION THAT NO FURTHER DISCLOSURE IS MADE BY YOU TO OTHER THAN AMP PERSONNEL WITHOUT WRITTEN AUTHORIZATION FROM AMP INCORPORATED, HARRISBURG, PA.

C
D
C
B
A

DIMENSIONS IN INCHES. DO NOT SCALE PRINT. TOLERANCES UNLESS OTHERWISE SPECIFIED:
 2 PLC DEC ±
 3 PLC DEC ±
 4 PLC DEC ±
 ANGLES ±
 SURF TEXTURE: ✓
 REMOVE BURRS, BREAK SHARP EDGES R.015 MAX

MATL - HT TR - FIN -

DR M. OBRINE 4-2-96 APP T. ELBIN 4-2-96
 CHK 4-2-96 REL C. ERISMAN 4/9/96 B. MORGAN

AMP AMP Incorporated Harrisburg, PA 17105-3608

NAME: END FEED HDM APPLICATOR MACHINE REF: MINI APPL
 SCALE: - DWG NO: 680296 SHEET: 1 OF 1 REV: A