

THIS DRAWING IS UNPUBLISHED. RELEASED FOR PUBLICATION

© COPYRIGHT BY TYCO ELECTRONICS CORPORATION. ALL INTERNATIONAL RIGHTS RESERVED.

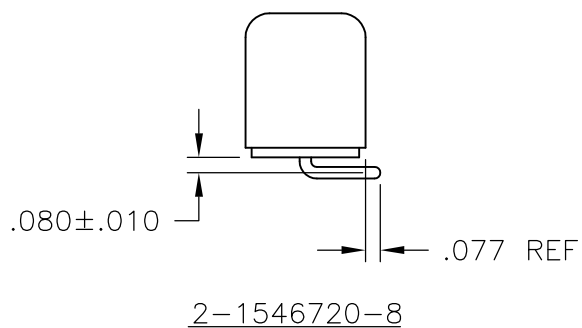
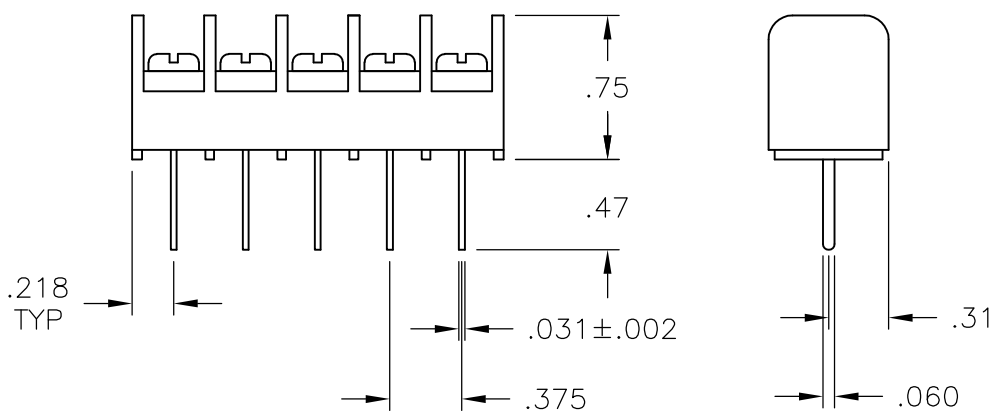
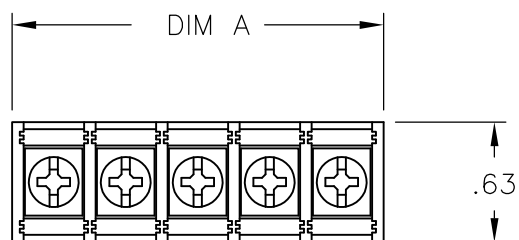
LOC FT	DIST 0	REVISIONS			
P	LTR	DESCRIPTION	DATE	DWN	APVD
	B	REVISED PER ECO-10-013617	26JUL10	HMR	CR

MATERIAL:  
 HOUSING: THERMOPLASTIC, UL94V-0, BLACK.  
 TERMINALS: TIN PLATED COPPER ALLOY.  
 QC TABS: TIN PLATED COPPER ALLOY.  
 SCREWS: 6-32, ZINC PLATED STEEL.

ELECTRICAL:  
 UL/CSA  
 CLASS C: 20A, 300V.  
 CLASS D: 5A, 600V.  
 WIRE RANGE: 12-22 AWG

MECHANICAL:  
 RECOMMENDED TORQUE: 7 IN-LB.  
 OPERATING TEMP.: 105°C MAX

1 PRELIMINARY PART NUMBER.



9.436	25	JC6-E107-25	2-1546720-5
9.061	24	JC6-E107-24	2-1546720-4
8.686	23	JC6-E107-23	2-1546720-3
8.311	22	JC6-E107-22	2-1546720-2
7.936	21	JC6-E107-21	2-1546720-1
7.561	20	JC6-E107-20	2-1546720-0
7.186	19	JC6-E107-19	1-1546720-9
6.811	18	JC6-E107-18	1-1546720-8
6.436	17	JC6-E107-17	1-1546720-7
6.061	16	JC6-E107-16	1-1546720-6
5.686	15	JC6-E107-15-182	2-1546720-7
5.686	15	JC6-E107-15	1-1546720-5
5.311	14	JC6-E107-14	1-1546720-4
4.936	13	JC6-E107-13	1-1546720-3
4.561	12	JC6-E107-12	1-1546720-2
4.186	11	JC6-E107-11	1-1546720-1
3.811	10	JC6-E107-10	1-1546720-0
3.436	9	JC6-E107-09	1546720-9
3.061	8	JC6-E107-08-242	2-1546720-9
3.061	8	JC6-E107-08	1546720-8
2.686	7	JC6-E107-07	1546720-7
2.311	6	JC6-E107-06	1546720-6
1.936	5	JC6-E107-05	1546720-5
1.561	4	JC6-E107-04	1546720-4
1.186	3	JC6-E107-03-221	2-1546720-8
1.186	3	JC6-E107-03-181	2-1546720-6
1.186	3	JC6-E107-03	1546720-3
.811	2	JC6-E107-02	1546720-2
DIM. A REF.	NO. OF POS.	CATALOG NUMBER	TE PART NO.

THIS DRAWING IS A CONTROLLED DOCUMENT.		DWN S. SCHLEGEL 12/8/04	Tyco Electronics Corporation Harrisburg, PA 17105-3608	
DIMENSIONS: INCHES		CHK S. YODER 12/8/04	NAME	
TOLERANCES UNLESS OTHERWISE SPECIFIED:		APVD S. YODER 12/8/04	JC6-E107-XX ASSEMBLY	
0 PLC ± -		PRODUCT SPEC	SIZE	
1 PLC ± -		APPLICATION SPEC	CAGE CODE	DRAWING NO
2 PLC ± .01		WEIGHT	A3	00779
3 PLC ± .005		CUSTOMER DRAWING	G	1546720
4 PLC ± -		SCALE	NTS	SHEET 1 OF 1
ANGLES ± -		RESTRICTED TO	REV B	
MATERIAL				
FINISH				