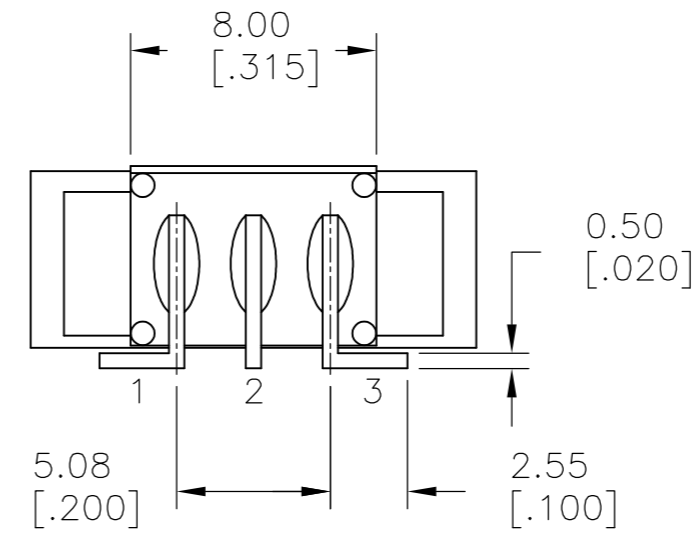
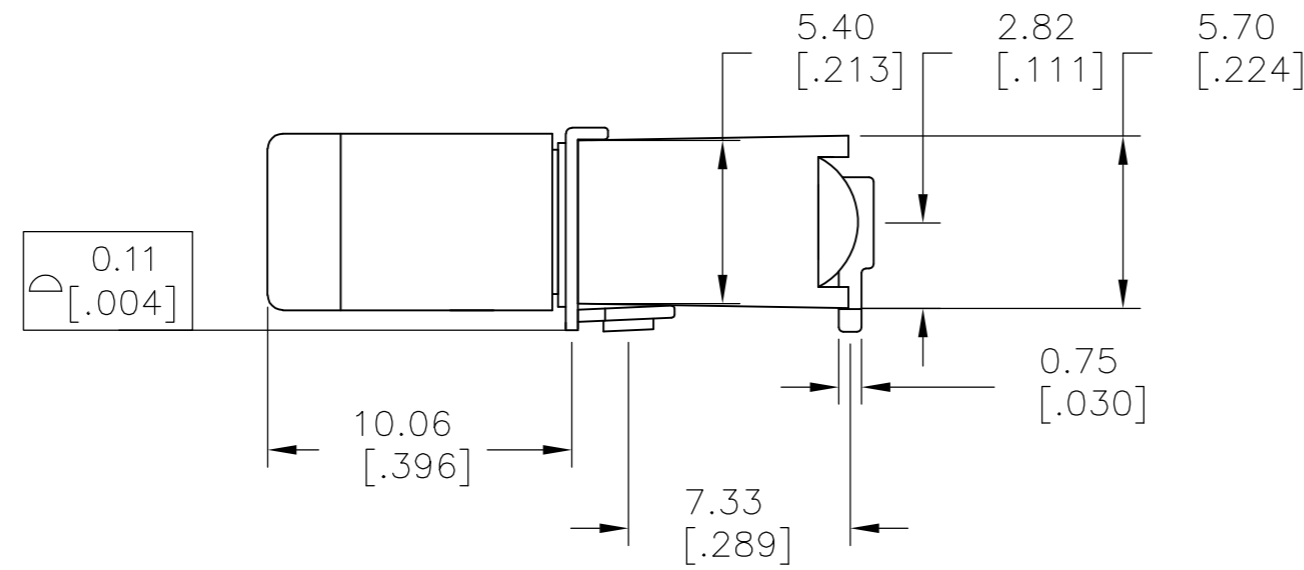
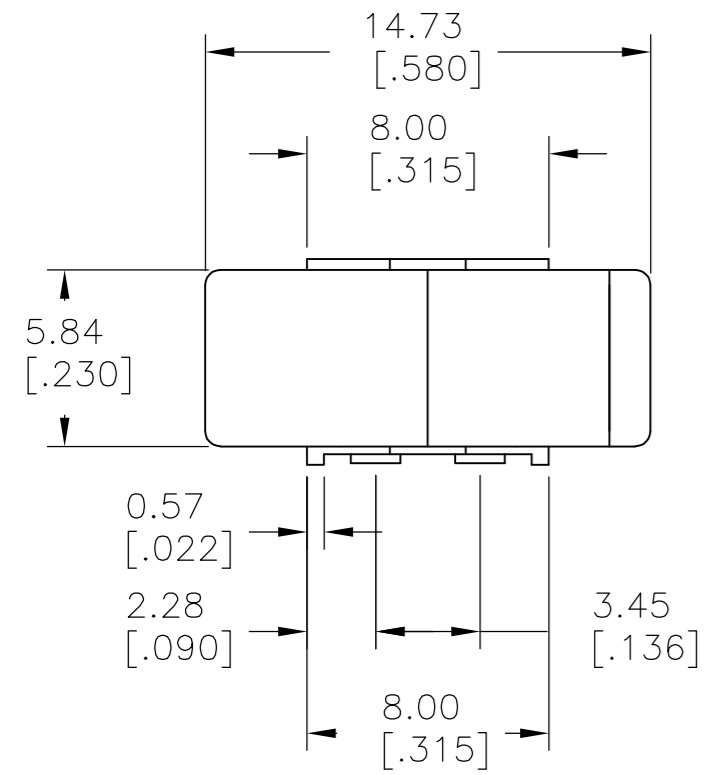


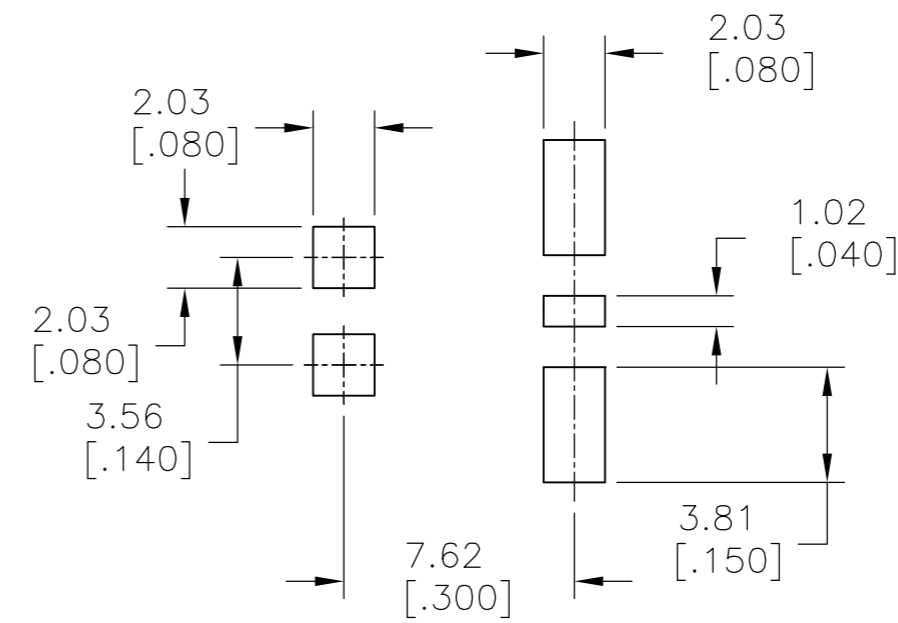
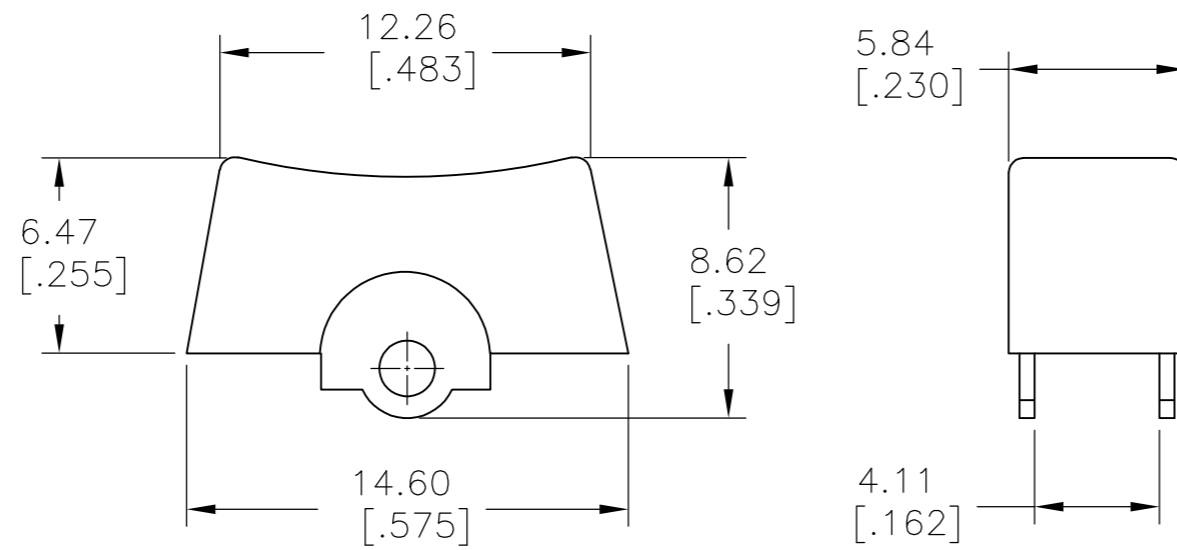
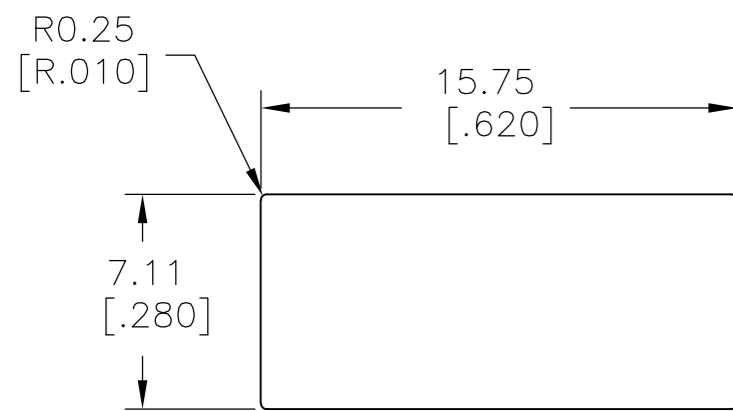
THIS DRAWING IS UNPUBLISHED. RELEASED FOR PUBLICATION
 © COPYRIGHT - By - ALL RIGHTS RESERVED.

LOC	DIST	REVISIONS			
P	LTR	DESCRIPTION	DATE	DWN	APVD
G	14				
	A	REVISED PER ECO-14-013095	27AUG2014	NK	RH



SPECIFICATIONS

MECHANICAL LIFE: 50,000 MAKE AND BREAK CYCLES.
 CONTACT RESISTANCE: 20mΩ MAX. INITIAL @ 2-4VDC
 100mA FOR GOLD PLATED CONTACTS.
 INSULATION RESISTANCE: 1,000MΩ MIN.
 DIELECTRIC STRENGTH: 1,000V RMS @SEA LEVEL.
 OPERATING TEMPERATURE: -30°C TO 85°C.
 CONTACT RATING: 0.4 VA MAX @ 20V MAX (AC OR DC)



P.C. MOUNTING

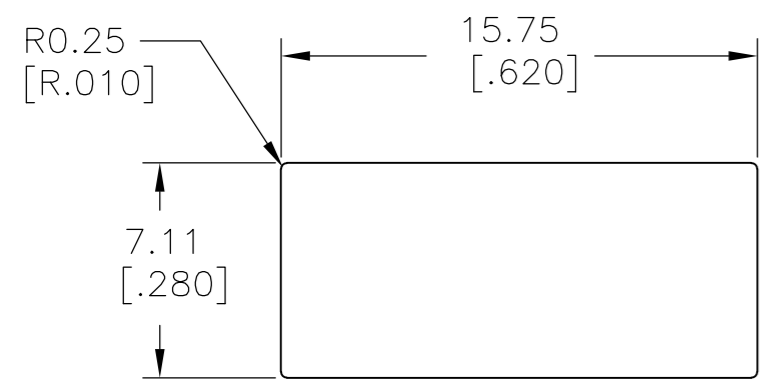
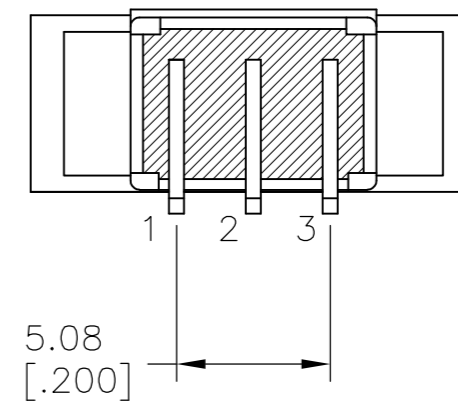
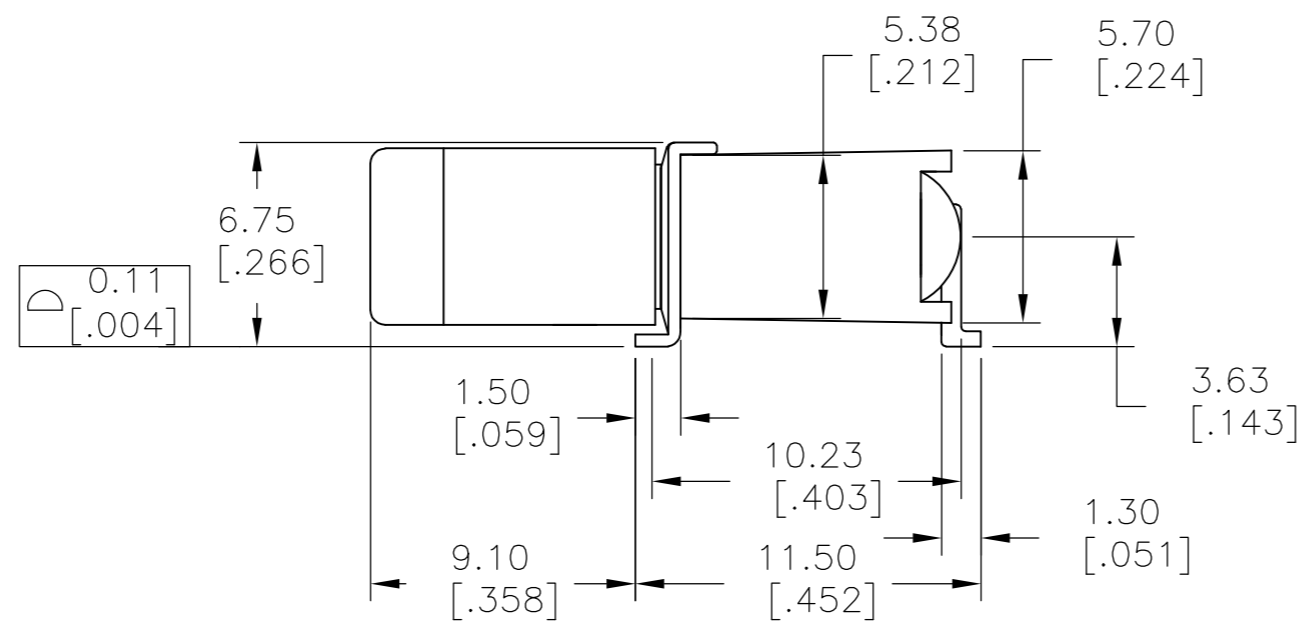
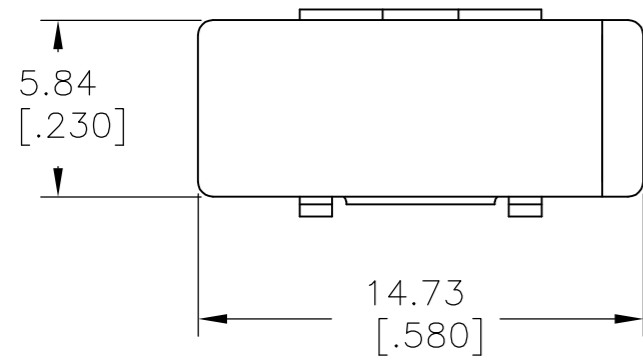
RIGHT ANGLE LAYOUT

RA STANDARD, SMT	2-1	2-3	ON-(ON)	2	1	RBS2R202MZRES	2267129-4
RIGHT ANGLE, SMT	2-1	2-3	ON-(ON)	2	1	RBS2R202MTRES	2267129-3
RA STANDARD, SMT	2-1	2-3	ON-ON	2	1	RBS1R202MZRES	2267129-2
RIGHT ANGLE, SMT	2-1	2-3	ON-ON	2	1	RBS1R202MTRES	2267129-1
TERMINATION	POS 2	POS 1	FUNCTION	THROWS	POLES	TE DESCRIPTIVE PART NUMBER	TE PART NUMBER

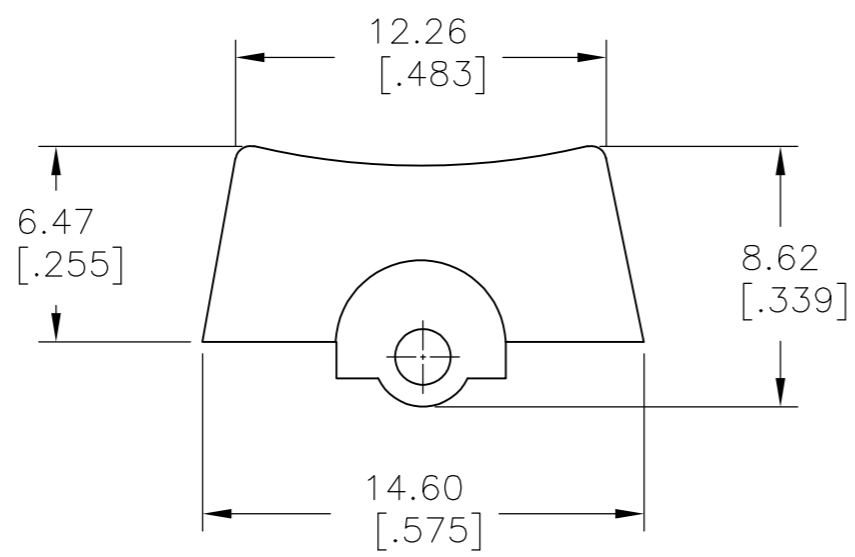
THIS DRAWING IS A CONTROLLED DOCUMENT.		DWN NAGALAKSHMI K 20JUN2014		
DIMENSIONS: mm [INCHES]		CHK HILL RYAN 20JUN2014		
TOLERANCES UNLESS OTHERWISE SPECIFIED:		APVD HILL RYAN 20JUN2014	NAME SUBMINIATURE ROCKER SERIES, SEALED, SMT	
0 PLC ± -		PRODUCT SPEC	SIZE	
1 PLC ± 0.40[.015]		APPLICATION SPEC	CAGE CODE	
2 PLC ± 0.25[.010]			DRAWING NO	
3 PLC ± -			RESTRICTED TO	
4 PLC ± -			A2 - C=2267129	
ANGLES ± 5°			SCALE 1:1 SHEET 1 OF 2 REV A	
MATERIAL		WEIGHT -	CUSTOMER DRAWING	
FINISH				

THIS DRAWING IS UNPUBLISHED. RELEASED FOR PUBLICATION
 © COPYRIGHT - By - ALL RIGHTS RESERVED.

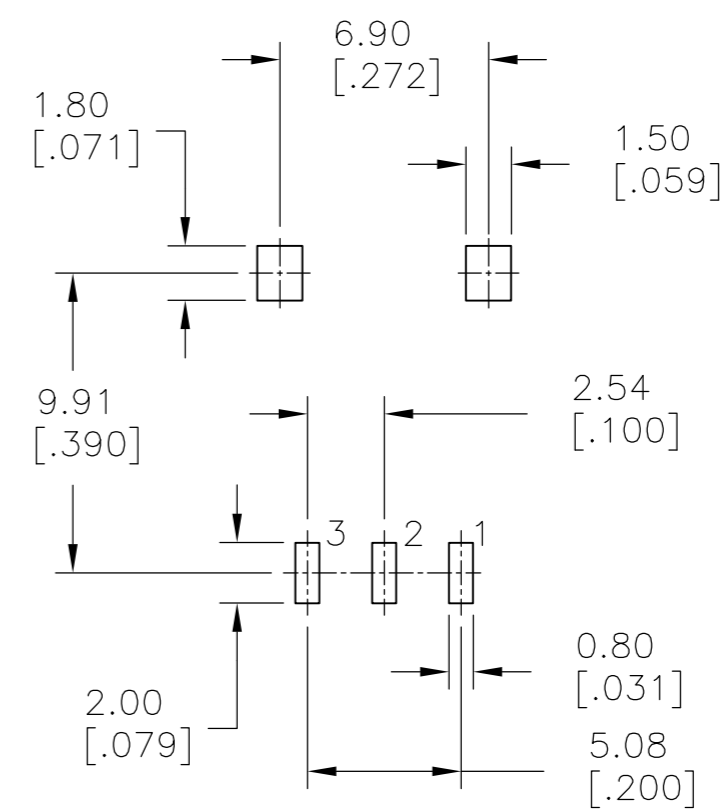
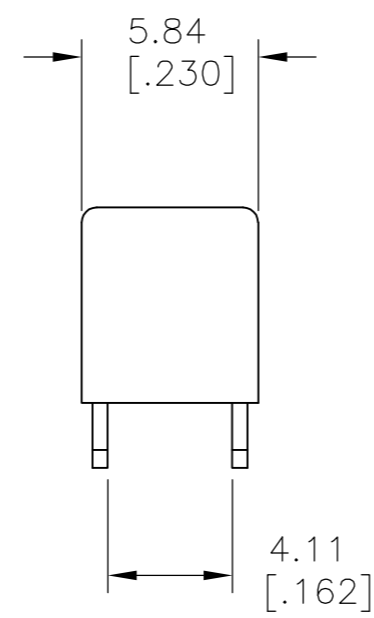
LOC		DIST		REVISIONS			
P	LTR	DESCRIPTION		DATE	DWN	APVD	
G	14	SEE SHEET 1		-	-	-	



PANEL LAYOUT



RA STANDARD LAYOUT



P.C. MOUNTING

THIS DRAWING IS A CONTROLLED DOCUMENT.		DWN NAGALAKSHMI K 20JUN2014																				
DIMENSIONS: mm [INCHES]		CHK HILL RYAN 20JUN2014																				
TOLERANCES UNLESS OTHERWISE SPECIFIED:		APVD HILL RYAN 20JUN2014	NAME SUBMINIATURE ROCKER SERIES, SEALED, SMT																			
<table border="0"> <tr><td>0 PLC</td><td>±</td><td>-</td></tr> <tr><td>1 PLC</td><td>±</td><td>0.40[.015]</td></tr> <tr><td>2 PLC</td><td>±</td><td>0.25[.010]</td></tr> <tr><td>3 PLC</td><td>±</td><td>-</td></tr> <tr><td>4 PLC</td><td>±</td><td>-</td></tr> <tr><td>ANGLES</td><td>±</td><td>5°</td></tr> </table>		0 PLC	±	-	1 PLC	±	0.40[.015]	2 PLC	±	0.25[.010]	3 PLC	±	-	4 PLC	±	-	ANGLES	±	5°	PRODUCT SPEC -	SIZE A2	RESTRICTED TO -
0 PLC	±	-																				
1 PLC	±	0.40[.015]																				
2 PLC	±	0.25[.010]																				
3 PLC	±	-																				
4 PLC	±	-																				
ANGLES	±	5°																				
MATERIAL		APPLICATION SPEC -	CAGE CODE -	DRAWING NO C=2267129																		
FINISH		WEIGHT -	SCALE 1:1	SHEET 2 OF 2																		
		CUSTOMER DRAWING	REV A																			