

4

3

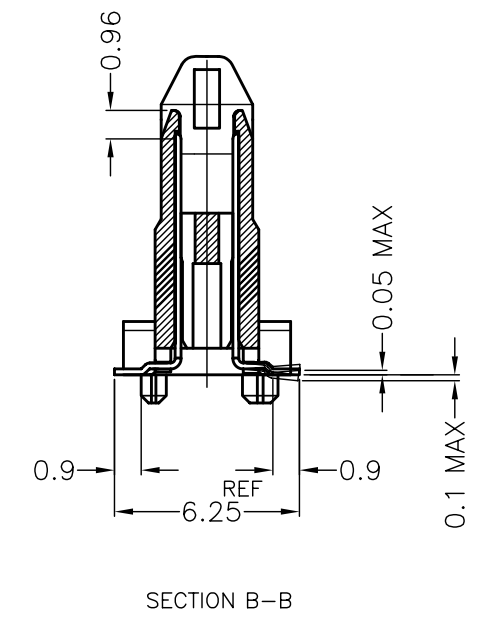
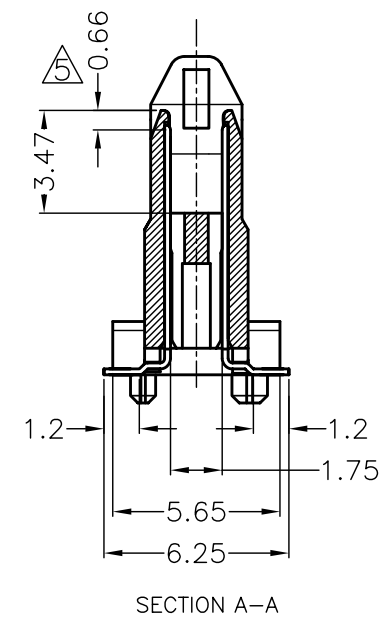
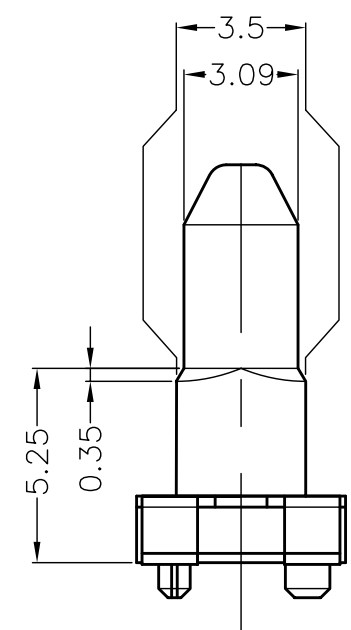
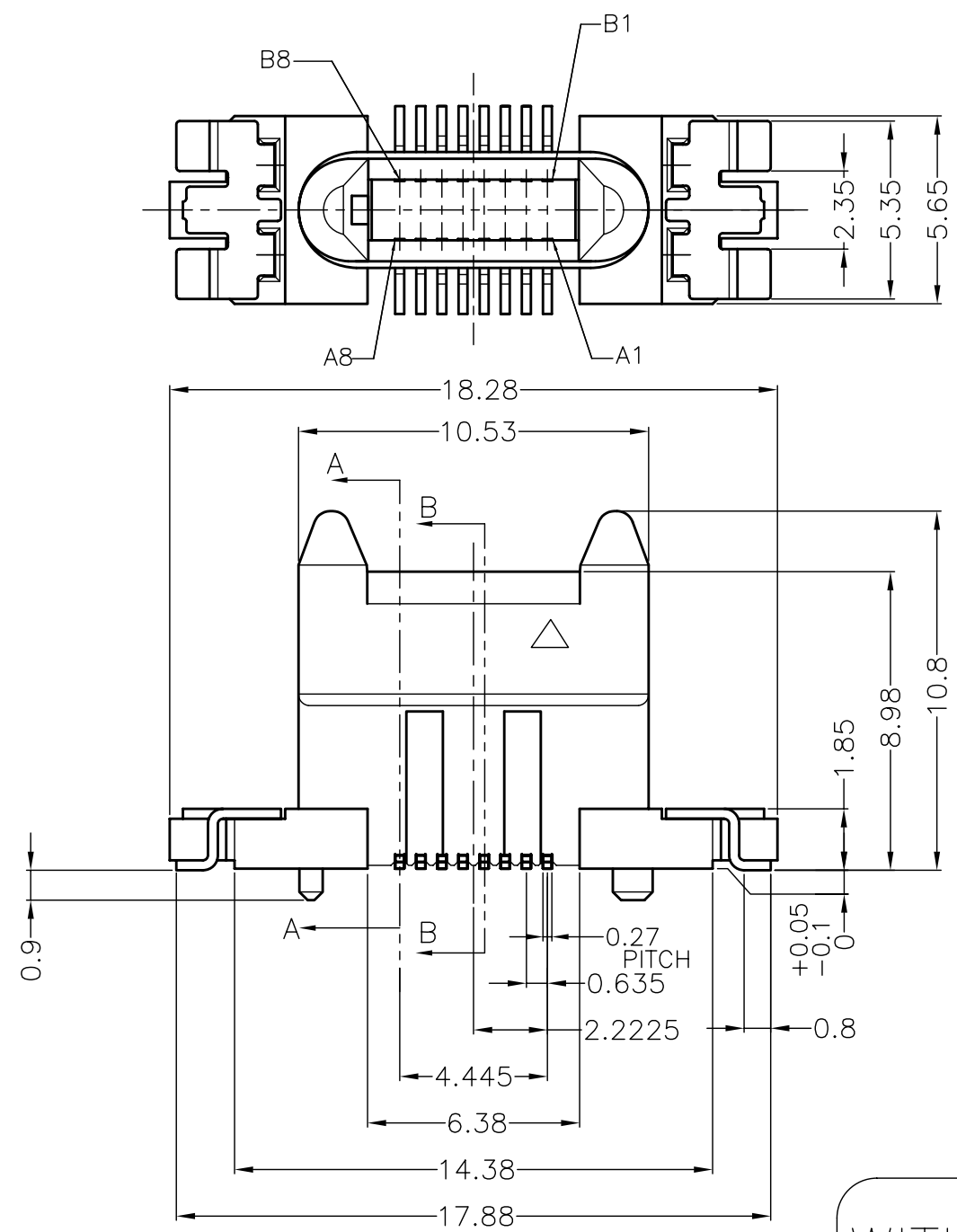
2

1

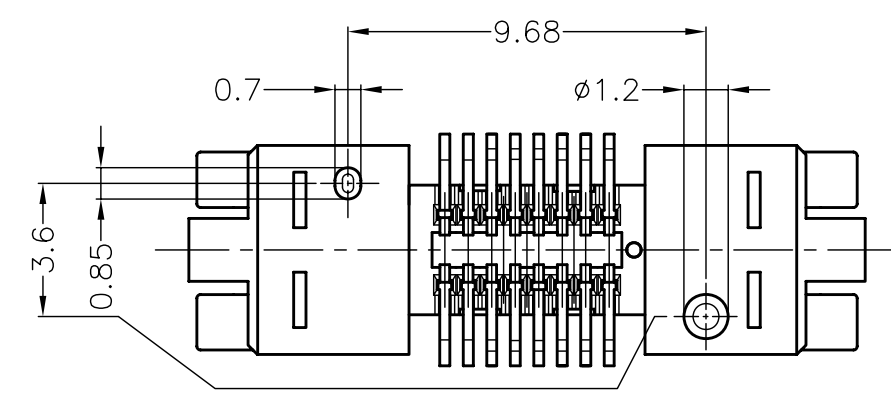
THIS DRAWING IS UNPUBLISHED. RELEASED FOR PUBLICATION
 © COPYRIGHT BY TYCO ELECTRONICS CORPORATION. ALL RIGHTS RESERVED.

LOC	DIST	REVISIONS			
P	LTR	DESCRIPTION	DATE	DWN	APVD
DW		F1	REVISED (ECR-09-003882)	19FEB09	B.W H.K

AS SHOWN; 2023089-1~3



WITHOUT CAP CONDITION



④	2023089-3
③	2023089-2
②	2023089-1
FINISH	P/N

1	CAP	④
2	SOLDER PEG	③
16	CONTACT	②
1	HOUSING	①
Q'TY	NAME	ITEM NO.

THIS DRAWING IS A CONTROLLED DOCUMENT.		DWN	G.SHIH	02JAN08	Tyco Electronics Corporation Taipei, Taiwan	
DIMENSIONS: mm		CHK	M.CHAO	18JAN08	NAME	
TOLERANCES UNLESS OTHERWISE SPECIFIED:		APVD	H.KODAMA	18JAN08	ASSY	
0 PLC ± -		PRODUCT SPEC	108-99014	0.635mm PITCH BAY CONNECTOR, PLUG 16POS		
1 PLC ± - ±0.25		APPLICATION SPEC		SIZE	CAGE CODE	DRAWING NO
2 PLC ± - ±3°		WEIGHT		A3	00779	2023089
3 PLC ± - ±3°		CUSTOMER DRAWING		SCALE	SHEET	REV
4 PLC ± -				5:1	1 of 4	F1
ANGLES ± -						
MATERIAL ①						
FINISH SEE TABLE						

4

3

2

1

THIS DRAWING IS UNPUBLISHED.

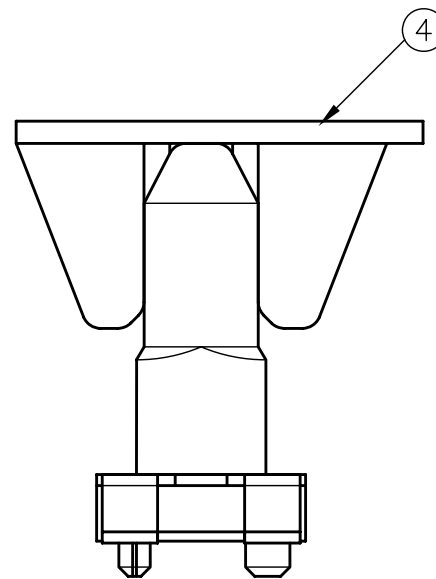
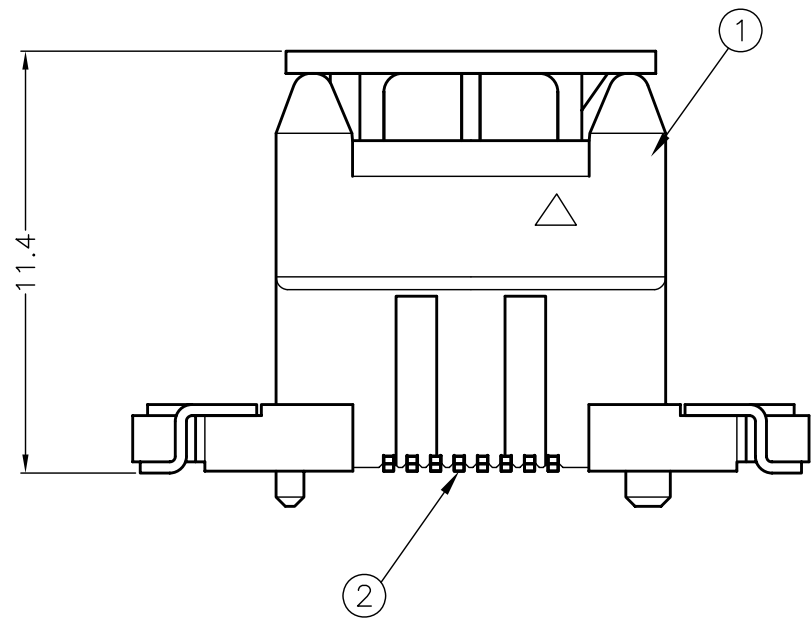
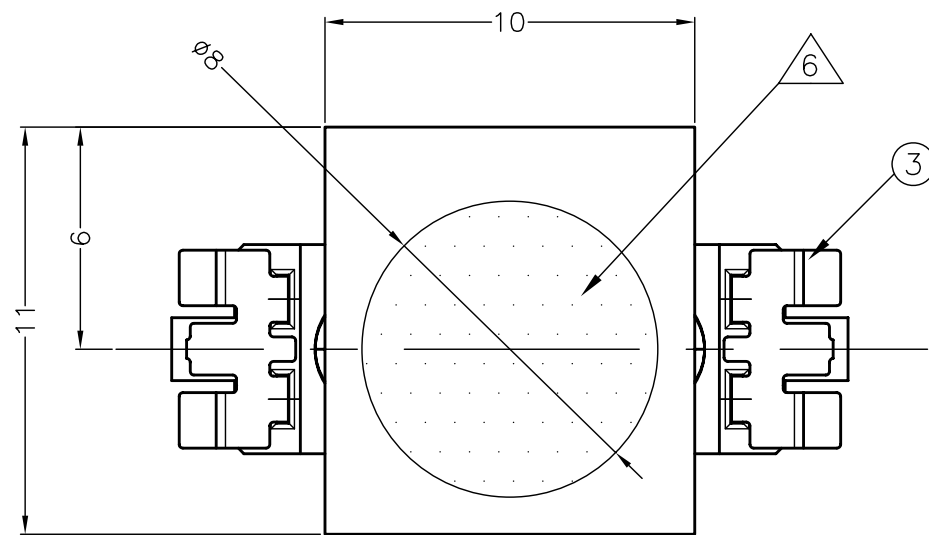
RELEASED FOR PUBLICATION

© COPYRIGHT BY TYCO ELECTRONICS CORPORATION.

ALL RIGHTS RESERVED.

LOC	DIST	REVISIONS				
P	LTR	DESCRIPTION	DATE	DWN	APVD	
		SEE SHEET 1				

AS SHOWN;2023089-1~3



NOTE

- ① MATERIAL: ① HOUSING: THERMO-PLASTIC(UL94V-0,BLACK)
② CONTACT: COPPER ALLOY
③ SOLDER PEG: COPPER ALLOY
④ CAP: THERMO-PLASTIC(UL94V-0,BLACK)
- ②.FINISH: CONTACT: ALL OVER Ni 0.002 MIN. UNDER PLATING.
Au 0.0002 MIN. PLATING ON CONTACT AREA.
MATTE Sn 0.001~0.003 PLATING ON TINE AREA
SOLDER PEG: ALL OVER Ni 0.0005 MIN. UNDER PLATING.
MATTE Sn 0.001~0.003 PLATING ON TINE AREA
- ③.FINISH: CONTACT: ALL OVER Ni 0.002 MIN. UNDER PLATING.
Au 0.00038 MIN. PLATING ON CONTACT AREA.
MATTE Sn 0.001~0.003 PLATING ON TINE AREA
SOLDER PEG: ALL OVER Ni 0.0005 MIN. UNDER PLATING.
MATTE Sn 0.001~0.003 PLATING ON TINE AREA
- ④.FINISH: CONTACT: ALL OVER Ni 0.002 MIN. UNDER PLATING.
Au 0.00076 MIN. PLATING ON CONTACT AREA.
MATTE Sn 0.001~0.003 PLATING ON TINE AREA
SOLDER PEG: ALL OVER Ni 0.0005 MIN. UNDER PLATING.
MATTE Sn 0.001~0.003 PLATING ON TINE AREA
- 5. APPLIED POS. No. A7,A8,B7,B8
- 6. PICK & PLACE VACUUM AREA
- 7. NET WEIGHT: 0.8g

WITH CAP CONDITION

THIS DRAWING IS A CONTROLLED DOCUMENT.		DWN	Tyco Electronics Corporation Taipei,Taiwan		
DIMENSIONS: mm		CHK	NAME ASSY 0.635mm PITCH BAY CONNECTOR, PLUG 16POS		
TOLERANCES UNLESS OTHERWISE SPECIFIED: 0 PLC ± - 1 PLC ± - ±0.25 2 PLC ± - 3 PLC ± - ±3° 4 PLC ± - ANGLES ± -		APVD	PRODUCT SPEC	APPLICATION SPEC	RESTRICTED TO
MATERIAL	FINISH	WEIGHT	SIZE A3	CAGE CODE 00779	DRAWING NO 2023089
CUSTOMER DRAWING			SCALE 5:1	SHEET 2 OF 4	REV F1

4

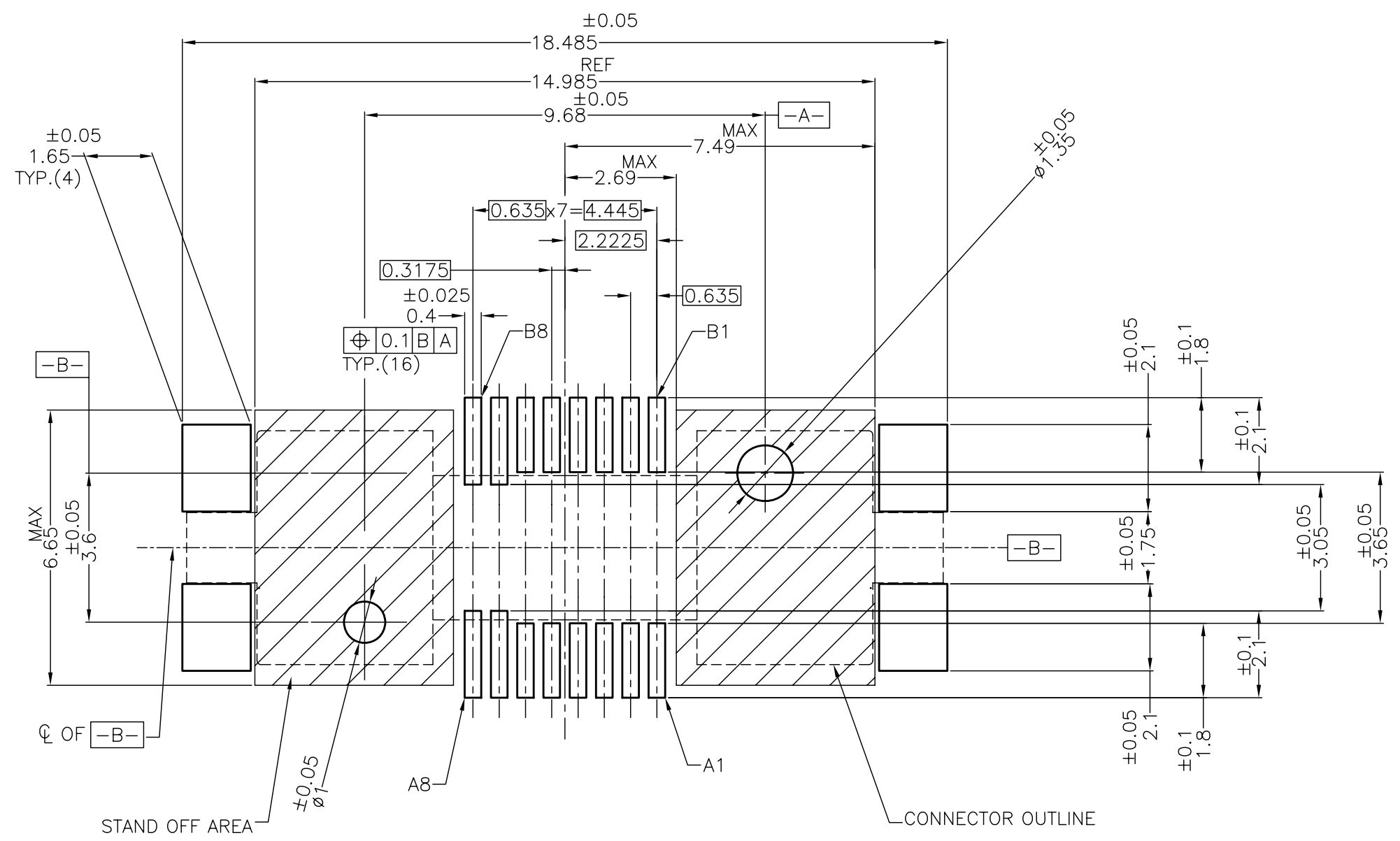
3

2

1

THIS DRAWING IS UNPUBLISHED. RELEASED FOR PUBLICATION
 © COPYRIGHT BY TYCO ELECTRONICS CORPORATION. ALL RIGHTS RESERVED.

LOC		DIST		REVISIONS				
P	LTR	DESCRIPTION	DATE	DWN	APVD			
		SEE SHEET 1						



RECOMMENDED P.C BOARD LAYOUT
(REFERENCE)

THIS DRAWING IS A CONTROLLED DOCUMENT.		DWN	Tyco Electronics Corporation Taipei, Taiwan		
DIMENSIONS: mm		CHK	NAME ASSY 0.635mm PITCH BAY CONNECTOR, PLUG 16POS		
TOLERANCES UNLESS OTHERWISE SPECIFIED: 0 PLC ± - 1 PLC ± - ±0.05 2 PLC ± - 3 PLC ± - 4 PLC ± - ANGLES ± -		APVD	PRODUCT SPEC	SIZE	CAGE CODE
MATERIAL		FINISH	APPLICATION SPEC	DRAWING NO	RESTRICTED TO
			WEIGHT	A3 00779	2023089
CUSTOMER DRAWING			SCALE	SHEET	REV
			8:1	3 of 4	F1

4

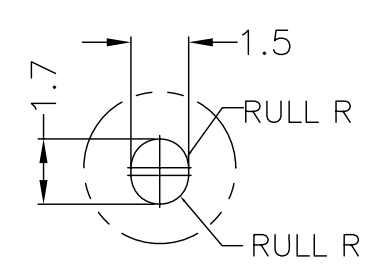
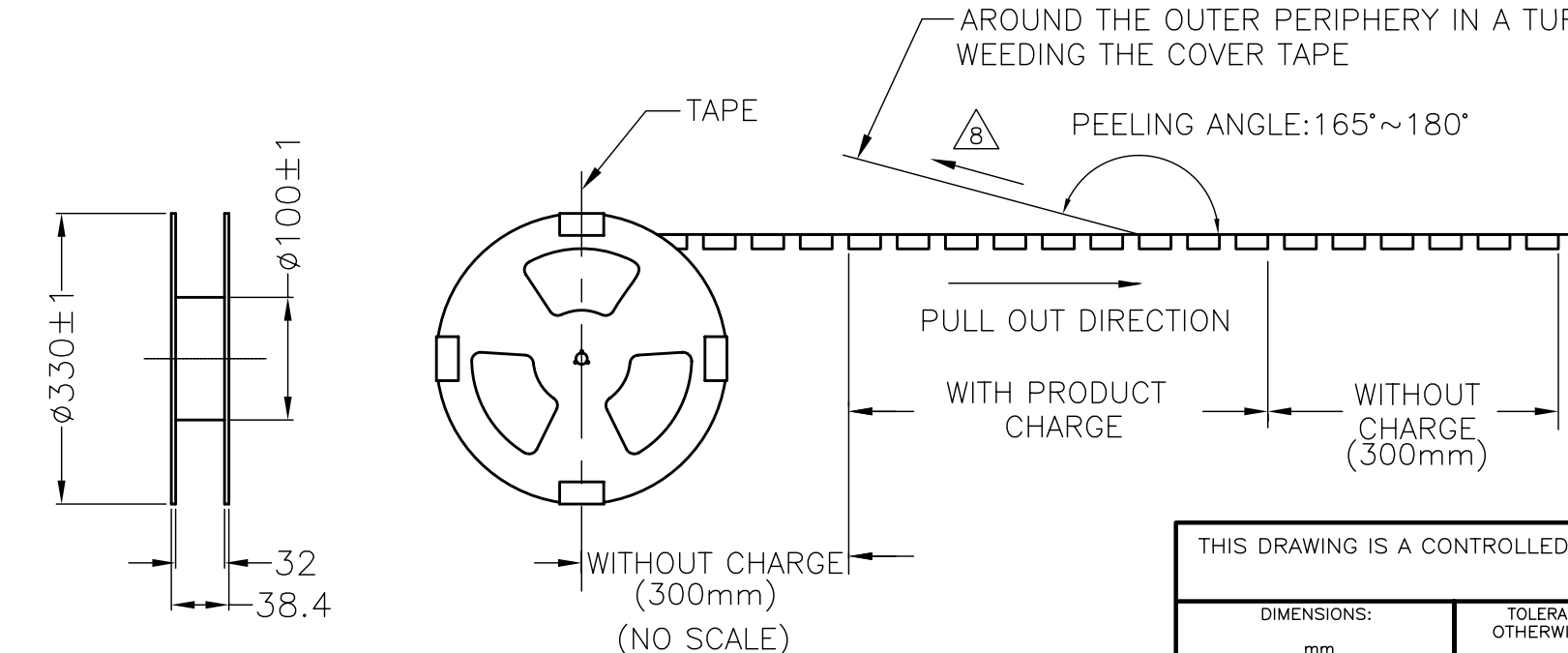
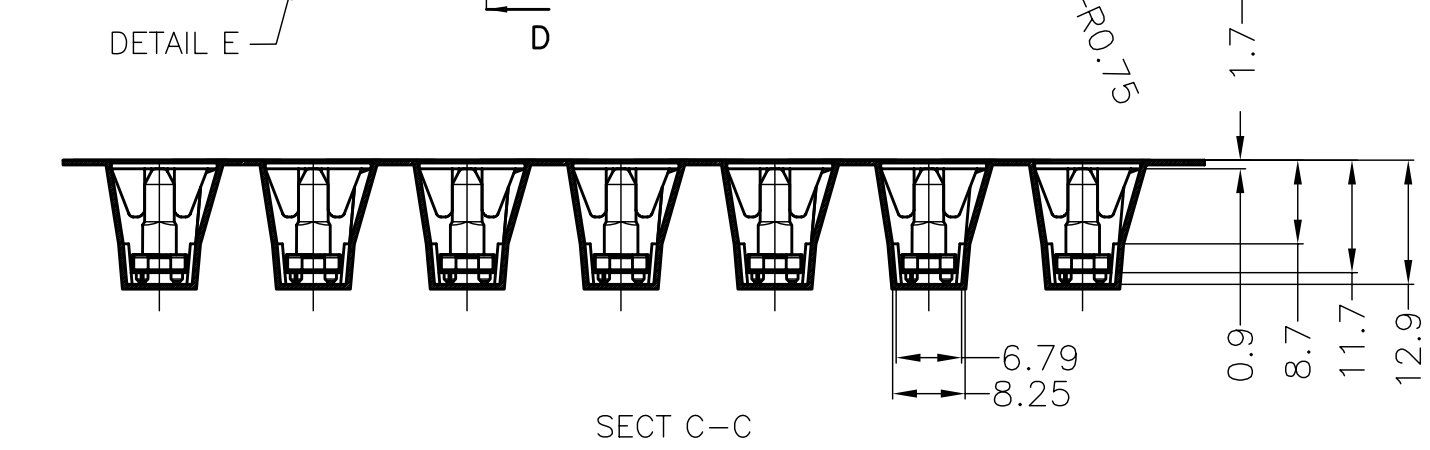
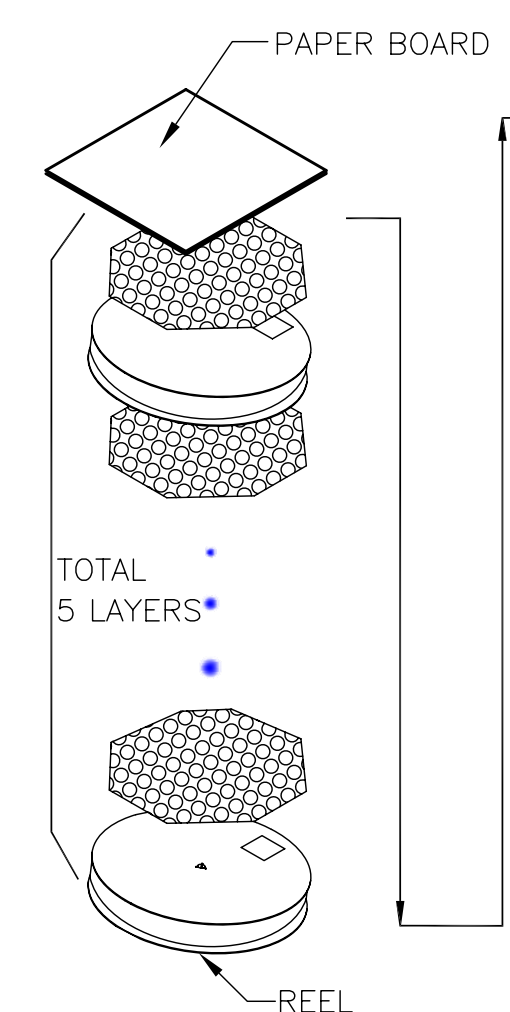
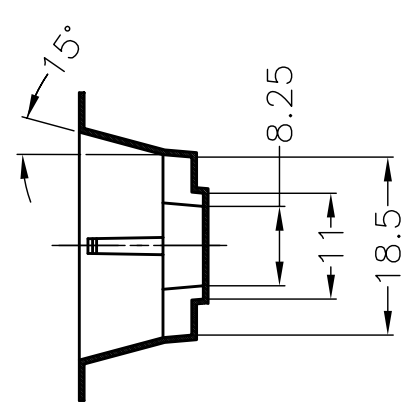
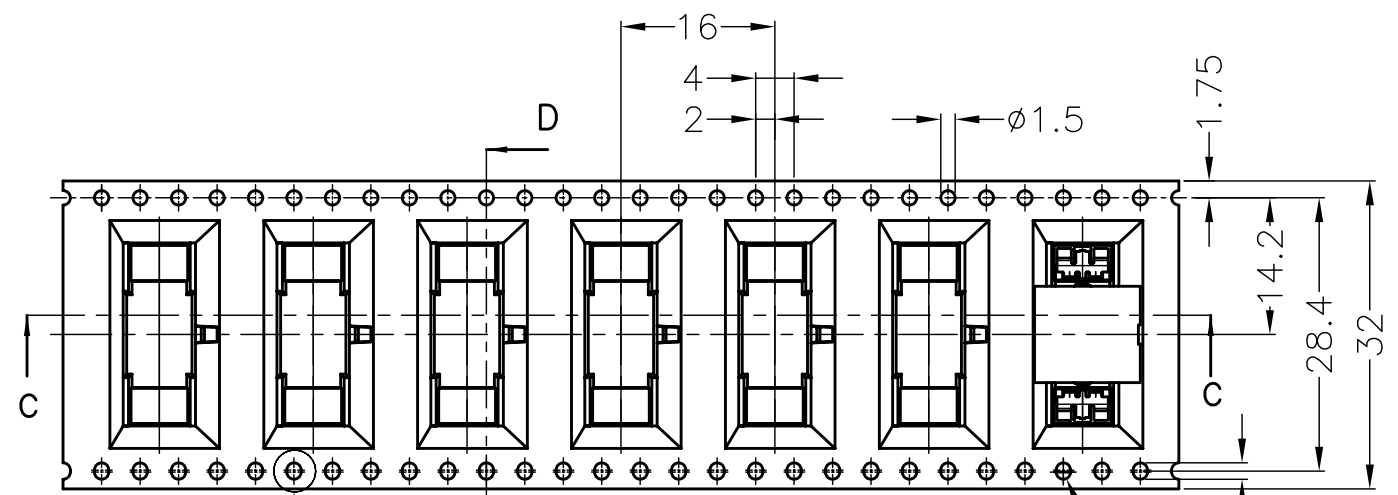
3

2

1

THIS DRAWING IS UNPUBLISHED. RELEASED FOR PUBLICATION
 © COPYRIGHT BY TYCO ELECTRONICS CORPORATION. ALL RIGHTS RESERVED.

LOC	DIST	REVISIONS				
P	LTR	DESCRIPTION	DATE	DWN	APVD	
DW		SEE SHEET 1	-	-	-	



3.2	0.813	250	5	1250
G/W (Kg)	N/W (Kg)	PCS/TAPE	REELS/CARTON	TOTAL QUANTITY (PCS)

PEELING STRENGTH OF COVER TAPE: 0.2N ~ 1.2N
 9. PACKING MATERIAL: CARRY TAPE: PS; COLOR: BLACK
 COVER TAPE: PET; COLOR: CLEAR

THIS DRAWING IS A CONTROLLED DOCUMENT.

DIMENSIONS: mm	TOLERANCES UNLESS OTHERWISE SPECIFIED:	DWN	Tyco Electronics Corporation Taipei, Taiwan	
	0 PLC ± - 1 PLC ± - 2 PLC ± - 3 PLC ± - 4 PLC ± - ANGLES ± -	CHK	NAME	
MATERIAL	FINISH	APVD	ASSY 0.635mm PITCH BAY CONNECTOR, PLUG 16POS	
		PRODUCT SPEC	SIZE	CAGE CODE
		APPLICATION SPEC	A3	00779
		WEIGHT	DRAWING NO. 2023089	
		CUSTOMER DRAWING	RESTRICTED TO	
			SCALE	SHEET
			NON	4 of 4
				REV F1