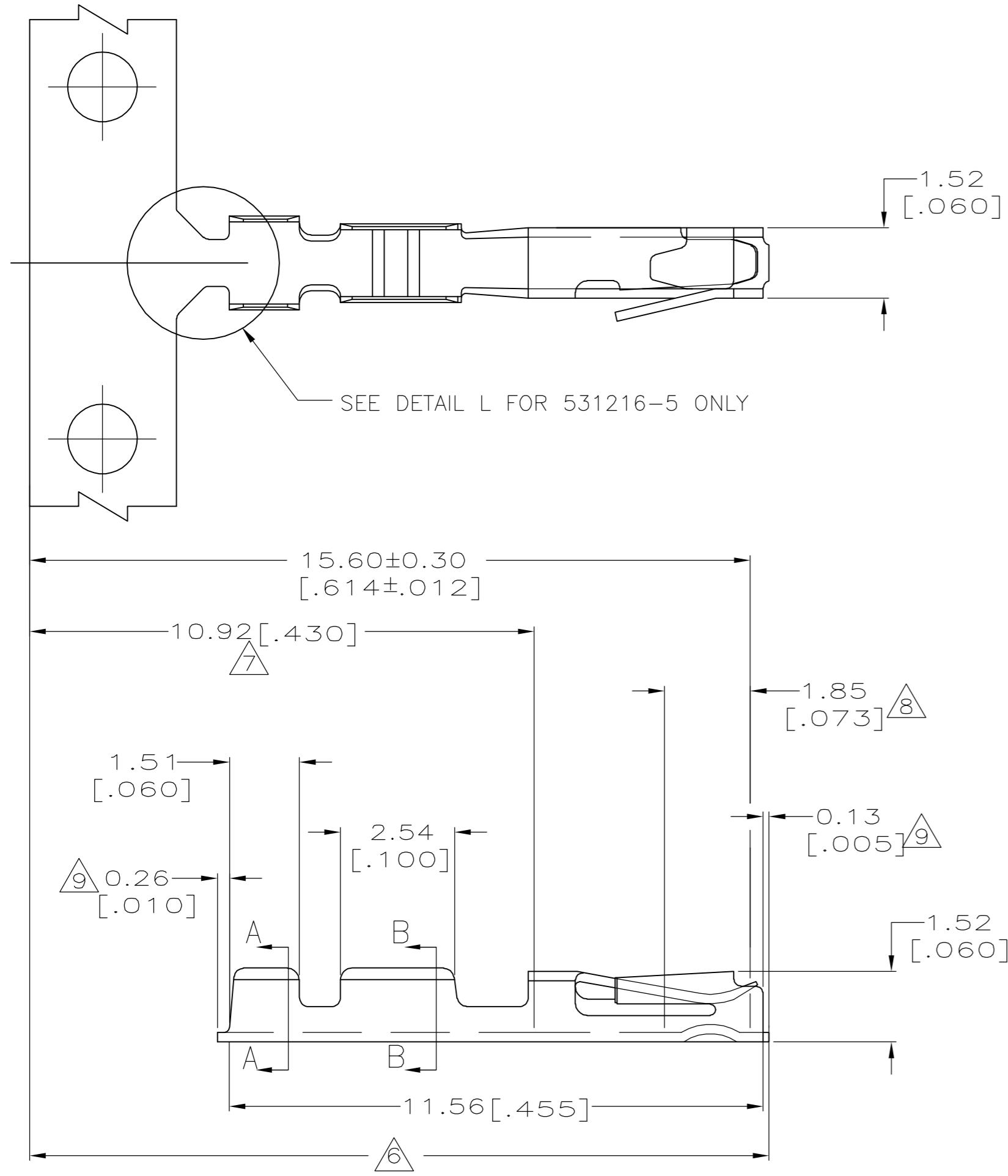
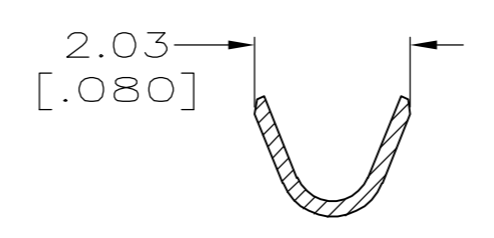


THIS DRAWING IS UNPUBLISHED. RELEASED FOR PUBLICATION  
 © COPYRIGHT BY TYCO ELECTRONICS CORPORATION. ALL RIGHTS RESERVED.

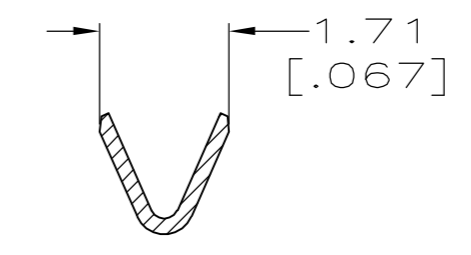
LOC	DIST	REVISIONS			
P	LTR	DESCRIPTION	DATE	DWN	APVD
AD	00	G	ECO-07-000840	17JAN2007	LAM AWF



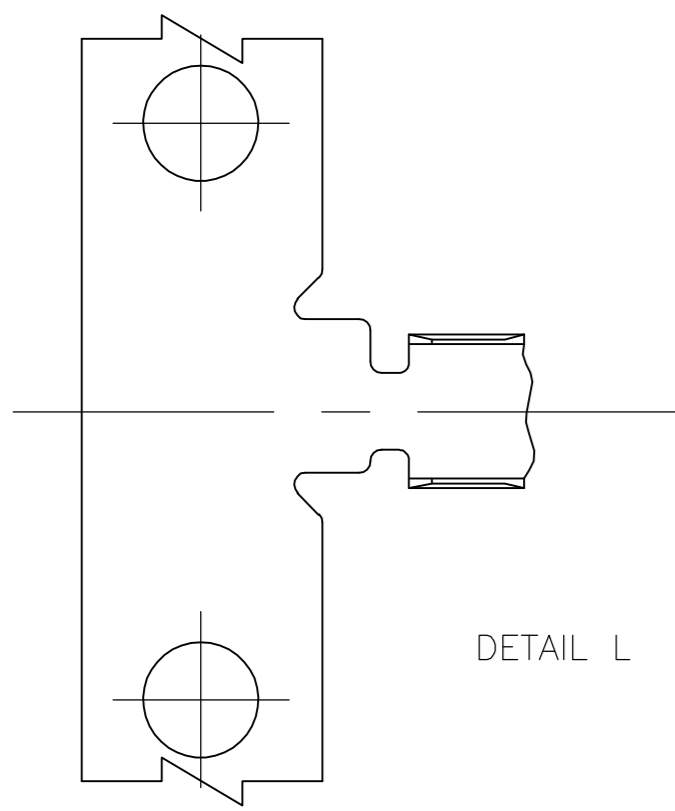
- WIRE RANGE 22-26 AWG.
- INSULATION RANGE 0.91-1.37 [.036-.054] DIA.
- PREPLATED 0.00127 [.000050] MIN TIN-LEAD IN ZONES I & II, 0.000762 [.000030] MIN GOLD OVER 0.000762 [.000030] MIN NICKEL INLAY IN ZONE III.
- PREPLATED 0.00127 [.000050] MIN TIN-LEAD IN ZONES I & II, 0.00127 [.000050] MIN GOLD OVER 0.000762 [.000030] MIN NICKEL INLAY IN ZONE III.
- PHOSPHOR BRONZE.
- ZONE I (OUTSIDE SURFACES).
- ZONE II (INSIDE SURFACES).
- ZONE III (INSIDE SURFACES).
- MAXIMUM CUTOFF.



SECTION A-A



SECTION B-B



	4	-	531216-5
	4	531216-4	531216-3
OBSOLETE	3	531216-2	531216-1
	FINISH	LOOSE PIECE PART NO	STRIP PART NO

THIS DRAWING IS A CONTROLLED DOCUMENT.		DWN B. HAYMAKER 08JAN99	Tyco Electronics Corporation Harrisburg, Pa 17105-3608	
DIMENSIONS: mm [INCHES]		CHK S. BOLASH 08JAN99	NAME CONTACT, RECEPTACLE, LOW PRESSURE MINI-TANDEM SPRING	
TOLERANCES UNLESS OTHERWISE SPECIFIED:		APVD S. BOLASH 08JAN99	PRODUCT SPEC 108-25031	
0 PLC ± -		APPLICATION SPEC 114-25021		
1 PLC ± -		SIZE A2		
2 PLC ± -		CAGE CODE 00779		
3 PLC ± 0.13[.005]		DRAWING NO C=531216		
4 PLC ± -		RESTRICTED TO -		
ANGLES ± -		SCALE 4:1		
FINISH -		SHEET 1 OF 1		
MATERIAL 531216-4		REV G		
CUSTOMER DRAWING				