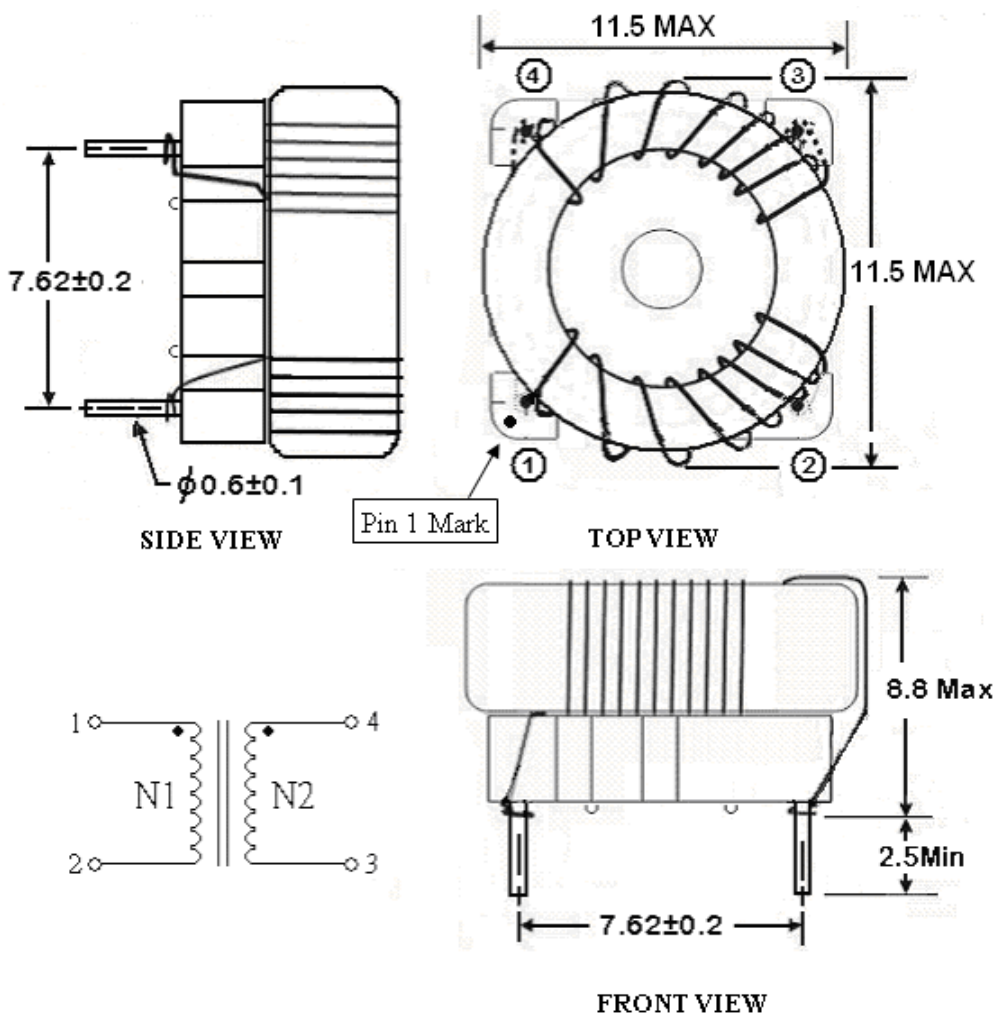


## Inductor

<b>Order code</b>	TCK-051
Inductance	Pin 1-2: 145 $\mu$ H $\pm$ 35% (100 kHz / 100 mV) Pin 3-4: 145 $\mu$ H $\pm$ 35% (100 kHz / 100 mV)
Rated current	5.2 A max.
Rated voltage	500 VDC
DCR	20 m $\Omega$



Dimensions [mm]