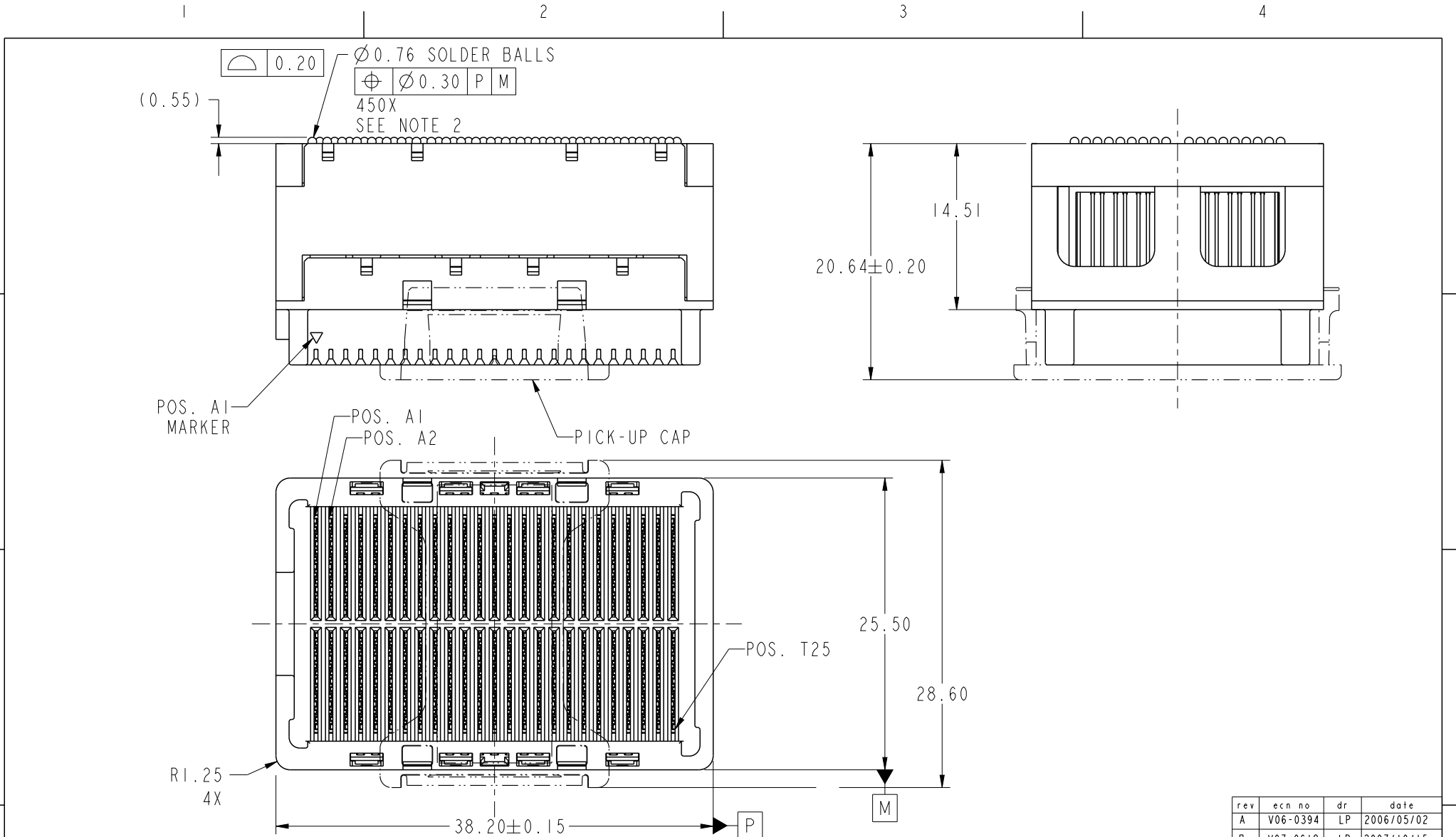




Copyright FCI.



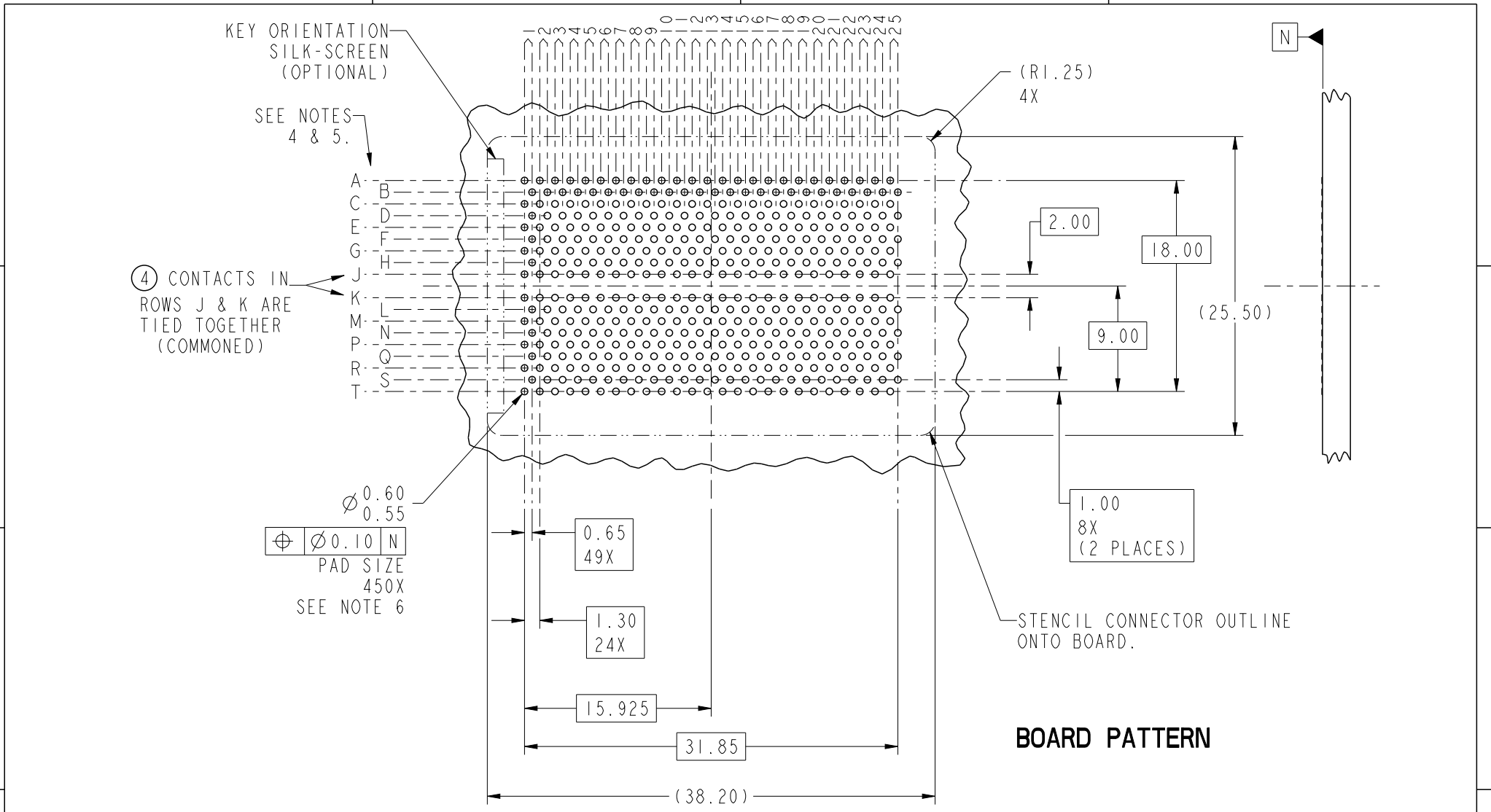
rev	ecn no	dr	date
A	V06-0394	LP	2006/05/02
B	V07-0618	LP	2007/10/15

spec ref	-	dr	Bill Lin	2010/02/02	projection	mm	size	A4	scale	1:10											
tolerance std	ASME Y14.5	eng	Nickor Zuo	2011/06/15			ecn no	ELX-DG-003943-1													
	TOLERANCES UNLESS OTHERWISE SPECIFIED	chr	Alex Cao	2011/06/24				product family	GIG-Array		rel level	Released									
surface	<table border="1"> <tr> <td>linear</td> <td>0.X</td> <td>± 0.30</td> </tr> <tr> <td></td> <td>0.XX</td> <td>± 0.10</td> </tr> <tr> <td></td> <td>0.XXX</td> <td>± 0.05</td> </tr> <tr> <td>angular</td> <td>0°</td> <td>$\pm 2^\circ$</td> </tr> </table>	linear	0.X	± 0.30		0.XX	± 0.10		0.XXX	± 0.05	angular	0°	$\pm 2^\circ$	appr	Pei-Ming Zheng	2011/06/27	product family	GIG-Array		rel level	Released
linear	0.X	± 0.30																			
	0.XX	± 0.10																			
	0.XXX	± 0.05																			
angular	0°	$\pm 2^\circ$																			
				title	GIG-Array - 15mm RECEPTACLE		dwg no	10060912		rev	C										
		www.fci.com	cat. no.	Product - Customer Drw			sheet 1 of 5														

PreE File - REV C - 2009-06-09



Copyright FCI.



BOARD PATTERN

spec ref	-	dr	Bill Lin	2010/02/02	projection	mm	size	A4	scale	1:10												
tolerance std	ASME Y14.5	eng	Nickor Zuo	2011/06/15			ecn no		ELX-DG-003943-1													
TOLERANCES UNLESS OTHERWISE SPECIFIED		chr	Alex Cao	2011/06/24			rel level		Released													
surface	<table border="1"> <tr><td>linear</td><td>0.X</td><td>±0.30</td></tr> <tr><td></td><td>0.XX</td><td>±0.10</td></tr> <tr><td></td><td>0.XXX</td><td>±0.05</td></tr> <tr><td>angular</td><td>0°</td><td>±2°</td></tr> </table>	linear	0.X	±0.30		0.XX	±0.10		0.XXX	±0.05	angular	0°	±2°	appr	Pei-Ming Zheng	2011/06/27	product family		GIG-Array		rev	C
linear	0.X	±0.30																				
	0.XX	±0.10																				
	0.XXX	±0.05																				
angular	0°	±2°																				
				title		GIG-Array - 15mm RECEPTACLE		dwg no		10060912												
		www.fci.com		cat. no.		Product - Customer Drw		sheet 2 of 5														

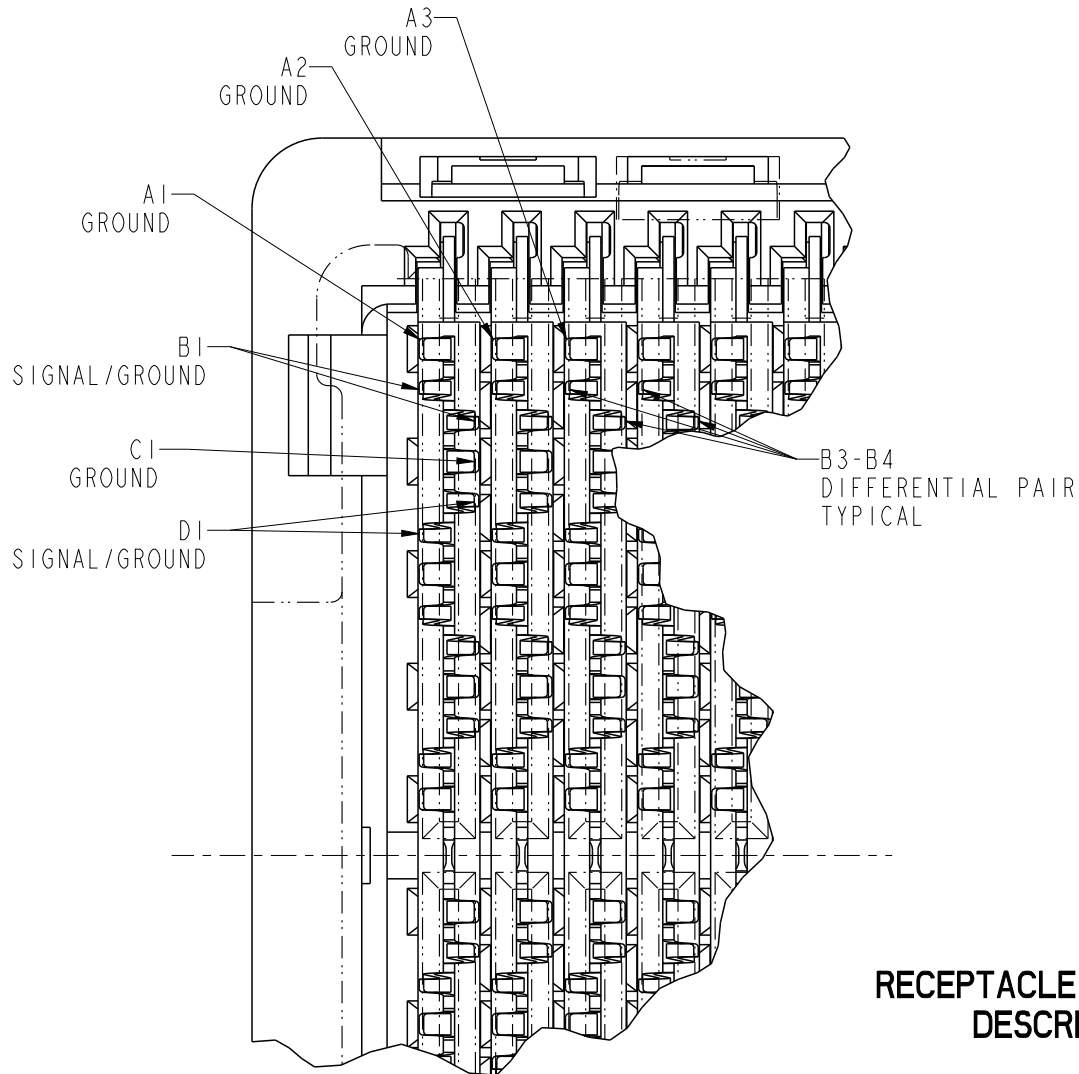
PrdE File - REV C - 2009-06-09

A

B

C

D



RECEPTACLE INTERFACE DESCRIPTION

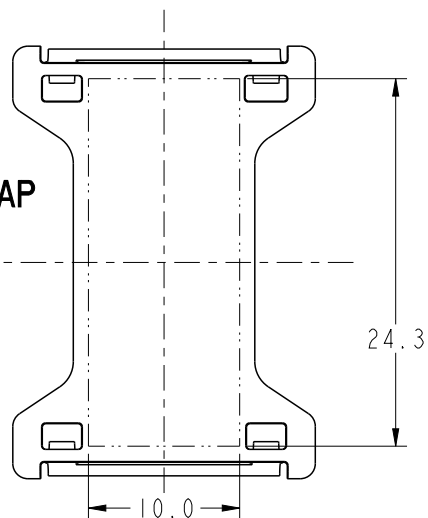


Copyright FCI.

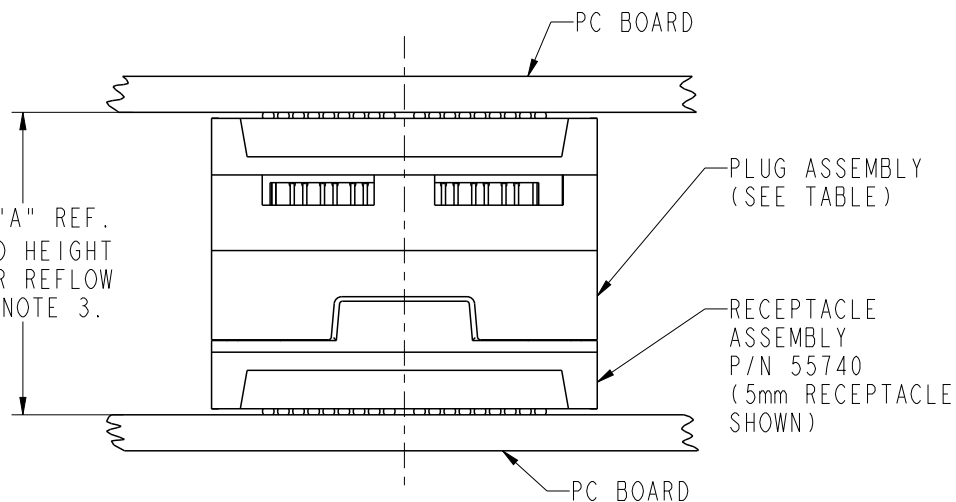
spec ref		-		dr	Bill Lin	2010/02/02	projection 	mm 	size	A4	scale	37:5	
tolerance std	ASME Y14.5	TOLERANCES UNLESS OTHERWISE SPECIFIED		eng	Nickor Zuo	2011/06/15			ecn no	ELX-DG-003943-1			
				chr	Alex Cao	2011/06/24				rel level	Released		
surface	✓	linear	0.X	±0.30	 title GIG-Array - 15mm RECEPTACLE ASSY. 200 SIG. POS. www.fci.com	cat. no.	product family	GIG-Array		dwg no	10060912	rev	C
		0.XX	±0.10	Product - Customer Drw				sheet 3 of 5					
		0.XXX	±0.05										
		angular	0°	±2°									

PreE File - REV C - 2009-06-09

**FLAT AREA
FOR PICK-UP CAP**
SCALE 2:1



DIM "A" REF.
MATED HEIGHT
AFTER REFLOW
SEE NOTE 3.



END VIEW OF MATED CONNECTORS
SCALE 2:1

DIM. "A"	PLUG ASSEMBLY P/N
25	55737
27	10026802
28	10055142
30	55738
35	55739
40	10054783

spec ref		-		dr	Bill Lin	2010/02/02	projection 	mm 	size	A4	scale	1:10
tolerance std	ASME Y14.5	TOLERANCES UNLESS OTHERWISE SPECIFIED		eng	Nickor Zuo	2011/06/15			ecn no	ELX-DG-003943-1		
				chr	Alex Cao	2011/06/24				rel level	Released	
surface	✓	linear	0.X	±0.30	FCj 	title	GIG-Array - 15mm RECEPTACLE ASSY. 200 SIG. POS.	dwg no	10060912	rev	C	
		0.XX	±0.10									
		0.XXX	±0.05									
		angular	0°	±2°	www.fci.com	cat. no.	Product - Customer Drw		sheet 4 of 5			

PRODUCT NUMBER	SOLDER BALL COMPOSITION	CONTACT PLATING PERFORMANCE LEVEL
10060912-001	STANDARD (EUTECTIC)	PERFORMANCE-BASED PLATING, QUALIFIED TO MEET THE REQUIREMENTS OF FCI PRODUCT SPECIFICATION GS-12-192, INCLUDING TELCORDIA CENTRAL OFFICE Au over Ni
10060912-001LF	LEADFREE	
10060912-201	STANDARD (EUTECTIC)	
10060912-201LF	LEADFREE	

NOTES:

- ① MATERIAL:
HOUSING: LCP
CONTACT: COPPER ALLOY
PLATING (CONTACT): Au OVER Ni.
UL RATING: 94 V-0
SOLDERBALL: (SEE TABLE) EUTECTIC SnPb OR LEAD FREE 95.5 Sn/4Ag/0.5Cu.
- ② SOLDER BALLS WILL NOT BE PERFECT SPHERICAL SHAPE DUE TO REFLOW ATTACHMENT.
- ③ MATED HEIGHT EFFECTED BY CUSTOMERS' PCB PAD SIZE, PLATING, SOLDER REFLOW PROFILE & SOLDER PASTE.
- ④ CONTACTS IN ROWS A,C,E,G,J,K,M,P,R AND T ARE SINGLE BEAM CONTACTS, USED AS GROUND PINS.
(NOTE: CONTACTS IN ROWS J & K ARE TIED TOGETHER [COMMONED])
- ⑤ CONTACTS IN ROWS B,D,F,H,L,N,Q AND S ARE DUAL BEAM CONTACTS, TYPICALLY USED AS SIGNAL PINS.
- ⑥ SPECIFIED POSITIONAL TOLERANCE DEFINES PAD TO PAD LOCATION WITHIN LAND PATTERN. POSITIONAL TOLERANCE OF LAND PATTERN TO FUDICIAL MARKS OR PCB DATUMS SHALL BE DEFINED BY CUSTOMER. FOR RECOMMENDED PRODUCT APPLICATION AND PCB DESIGN DETAILS, SEE DOC. NO. GS-20-016.
- ⑦ FOR PROPER APPLICATION FOLLOW FCI APPLICATION SPECIFICATION GS-20-033. LEAD FREE SOLDER BALLS WILL NOT SOLDER PROPERLY IN A LEADED SOLDER PROCESS DUE TO A HIGHER REFLOW TEMPERATURE. LEADFREE PRODUCT IS THEREFORE NOT BACKWARDS COMPATIBLE WITH LEADED OR SOME SOLDERING APPLICATIONS. REFERENCE FCI APPLICATION SPECIFICATION.
- ⑧ THIS PRODUCT MEETS THE EUROPEAN UNION DIRECTIVES AND OTHER COUNTRY REGULATIONS AS DESCRIBED IN GS-22-008. PRODUCT MEETING THIS DIRECTIVE IS IDENTIFIED IN THE CODE NUMBER MARKED ON EACH PART BY HAVING AN "X" IN THE SEVENTH CHARACTER POSITION.

spec ref	-	dr	Bill Lin	2010/02/02	projection 	mm 	size	A4	scale	1:10					
tolerance std	TOLERANCES UNLESS OTHERWISE SPECIFIED	eng	Nickor Zuo	2011/06/15			ecn no	ELX-DG-003943-1							
ASME Y14.5		chr	Alex Cao	2011/06/24			product family	GIG-Array		rel level	Released				
-		appr	Pei-Ming Zheng	2011/06/27	surface	linear	0.X	±0.30	FCI 	title	GIG-Array - 15mm RECEPTACLE ASSY. 200 SIG. POS.	cat. no.	Product - Customer Drw	sheet 5 of 5	
surface	linear	0.XX	±0.10	www.fci.com	dwg no	10060912		rev							C
-	angular	0°	±2°												