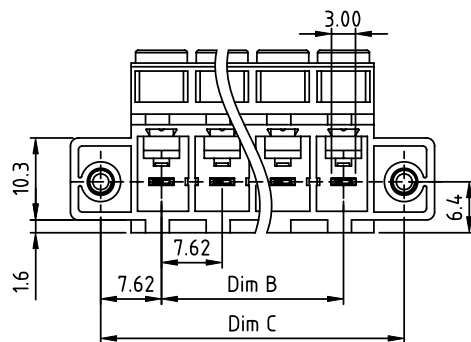
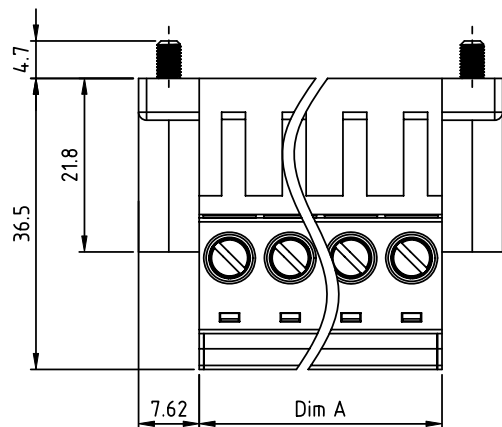


PRODUCT NUMBER	PITCH
KTxx01x400JOG	7.62 mm

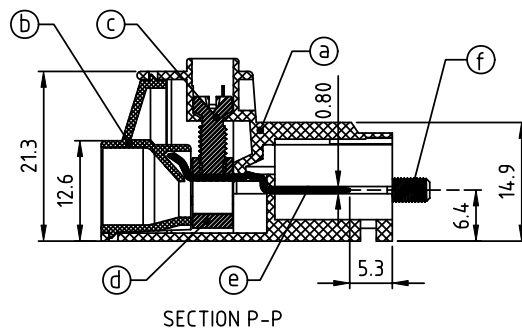
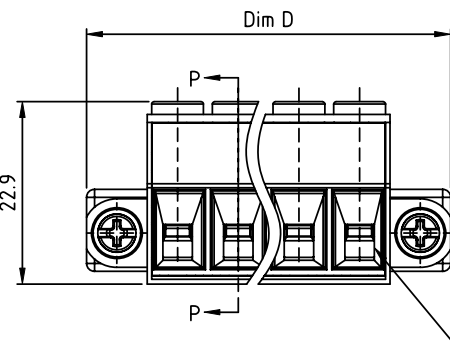


Material:

- Item①Terminal(housing) : Thermoplastic (UL94V-0)
- Item②Terminal(cover) : Thermoplastic (UL94V-0)
- Item③Terminal screw : Steel Zinc plating " - " slot type
- Item④Clamp : Brass, Ni plated
- Item⑤Female contact : Copper, Tin plated
- Item⑥With flange screw : Steel Zinc plating M3

Electrical cULus

- Voltage rating: 600VAC
- Current rating: 41A
- Solid wire (AWG): 8-24
- Stranded wire(AWG): 8-24
- Torque: 9.0 Lb-In
- Screw: M3.5
- Wire strip length: 10-11mm
- Withstanding Voltage: 1.6KV
- Operating temperature: -40°C to +115°C
- Safety Approval:



N=Number of poles

Dim A	Nx7.62
Dim B	(N-1)x7.62
Dim C	(N+1)x7.62
Dim D	(N+2)x7.62

Dimension

Poles	Tolerance
2P-5P	±0.20
6P-10P	±0.30
11P-16P	±0.40

PART NO.: KT xx 01 x 4 00J0 G

- |              |   |                   |   |
|--------------|---|-------------------|---|
| Solid block  | 0 | Black (RAL9005)   | RoHS compliant (lead<4%)<br>In copper Alloy |
| No. of poles | 2 | Red (RAL3001/D)   |   |
| 02 2 poles   | 3 | Orange(RAL2011/P) |   |
| 03 3 poles   | 4 | Yellow(RAL1018/A) |   |
| ... ..       | 5 | Green(RAL6018/T)  |   |
| 16 16 poles  | 6 | Blue (RAL5015/A)  |   |
|              | 8 | Grey(RAL7035/D)   |   |
|              | 9 | White(RAL1102)    |   |
|              | C | Green(RAL6018/U)  |   |

mat'l. code		surface ASME Y14.5	tolerance ASME Y14.5	projection 	product family TERMINAL BLOCK
ltr	ecn no	dr	date	tolerances unless otherwise specified	title TERMINAL BLOCK
				angles 	PLUGGABLE PLUG,FLANGE WITH SCREW
				X±1°	scale
		dr	EVIN ZHONG	050614	dwg no
		enr	EVIN ZHONG	050614	sheet 1 of 1
		chr	HANKE FENG	050614	size A4
		appd	SHI JUN	050614	type CUSTOMER Drawing
sheet index	revision	A			
	sheet	1			