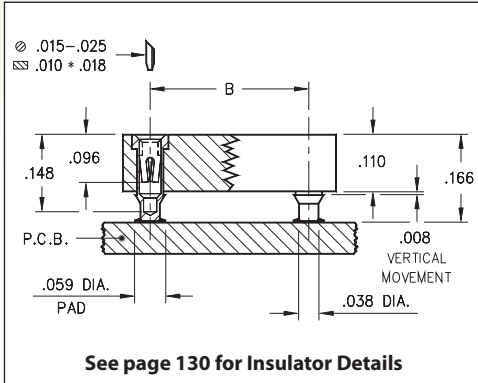
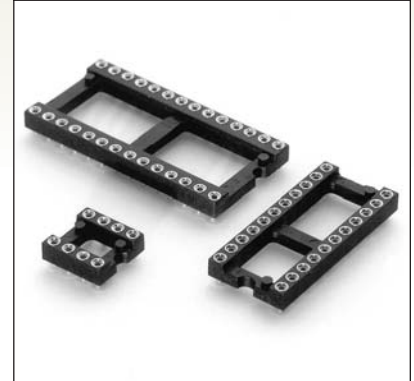


DUAL-IN-LINE SOCKETS

SERIES 114 • SURFACE MOUNT, STUB TAIL • OPEN FRAME



- Unique floating contacts compensate for the effects of unevenly dispensed solder paste
- Socket pins feature closed end construction eliminating any solder/flux wicking problems
- Hi-Rel, 4-finger BeCu #30 contact is rated at 3 amps. See page 253 for details
- Series 114 uses MM #1434 pins. See page 162 for details
- Insulators are high temperature thermoplastic, suitable for all soldering operations
- For Electrical, Mechanical and Environmental Data see page 264 for details



Total number of pins				Quantity per tube	ORDERING INFORMATION						
	A	B	C								
10	0.5	0.2	0.3	41	114-XX-210-41-117000						
4	0.2	0.3	0.4	100	114-XX-304-41-117000						
6	0.3	0.3	0.4	67	114-XX-306-41-117000						
8	0.4	0.3	0.4	50	114-XX-308-41-117000						
10	0.5	0.3	0.4	40	114-XX-310-41-117000						
14	0.7	0.3	0.4	28	114-XX-314-41-117000						
16	0.8	0.3	0.4	25	114-XX-316-41-117000						
18	0.9	0.3	0.4	22	114-XX-318-41-117000						
20	1.0	0.3	0.4	20	114-XX-320-41-117000						
22	1.1	0.3	0.4	18	114-XX-322-41-117000						
24	1.2	0.3	0.4	16	114-XX-324-41-117000						
28	1.4	0.3	0.4	14	114-XX-328-41-117000						
20	1.0	0.4	0.5	20	114-XX-420-41-117000						
22	1.1	0.4	0.5	18	114-XX-422-41-117000						
24	1.2	0.4	0.5	16	114-XX-424-41-117000						
28	1.4	0.4	0.5	14	114-XX-428-41-117000						
32	1.6	0.4	0.5	12	114-XX-432-41-117000						
24	1.2	0.6	0.7	16	114-XX-624-41-117000						
28	1.4	0.6	0.7	14	114-XX-628-41-117000						
32	1.6	0.6	0.7	12	114-XX-632-41-117000						
36	1.8	0.6	0.7	11	114-XX-636-41-117000						
40	2.0	0.6	0.7	10	114-XX-640-41-117000						
42	2.1	0.6	0.7	9	114-XX-642-41-117000						
48	2.4	0.6	0.7	8	114-XX-648-41-117000						
50	2.5	0.6	0.7	8	114-XX-650-41-117000						
52	2.6	0.6	0.7	7	114-XX-652-41-117000						
50	2.5	0.9	1.0	8	114-XX-950-41-117000						
52	2.6	0.9	1.0	7	114-XX-952-41-117000						
64	3.2	0.9	1.0	6	114-XX-964-41-117000						
SPECIFY PLATING CODE XX =					91	93	41	43			
Sleeve (Pin)					200 μ" Sn/Pb	200 μ" Sn/Pb	200 μ" Sn	200 μ" Sn			
Contact (Clip)					10 μ" Au	30 μ" Au	10 μ" Au	30 μ" Au			

XX=Plating Code
See Below

