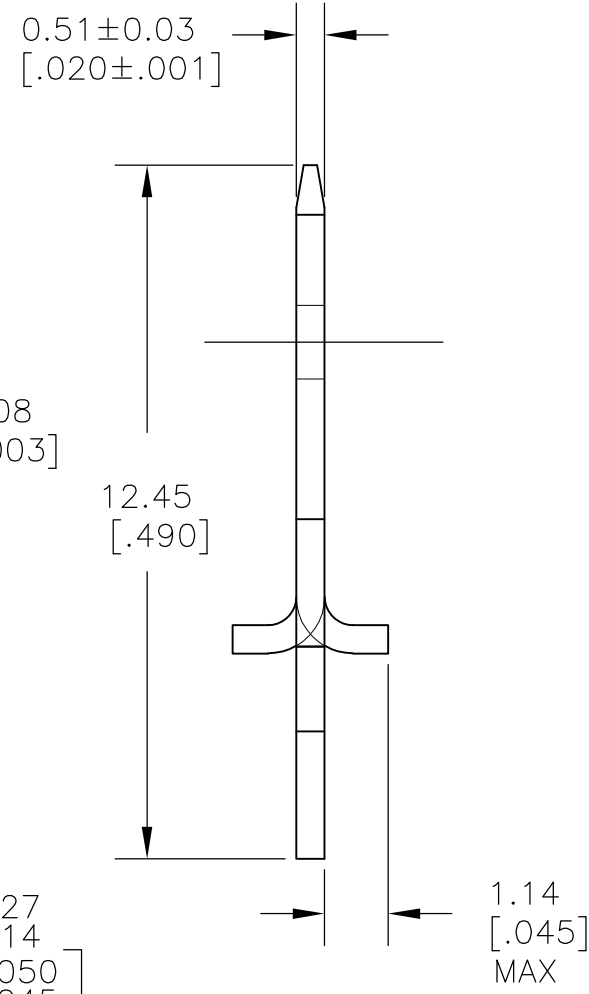
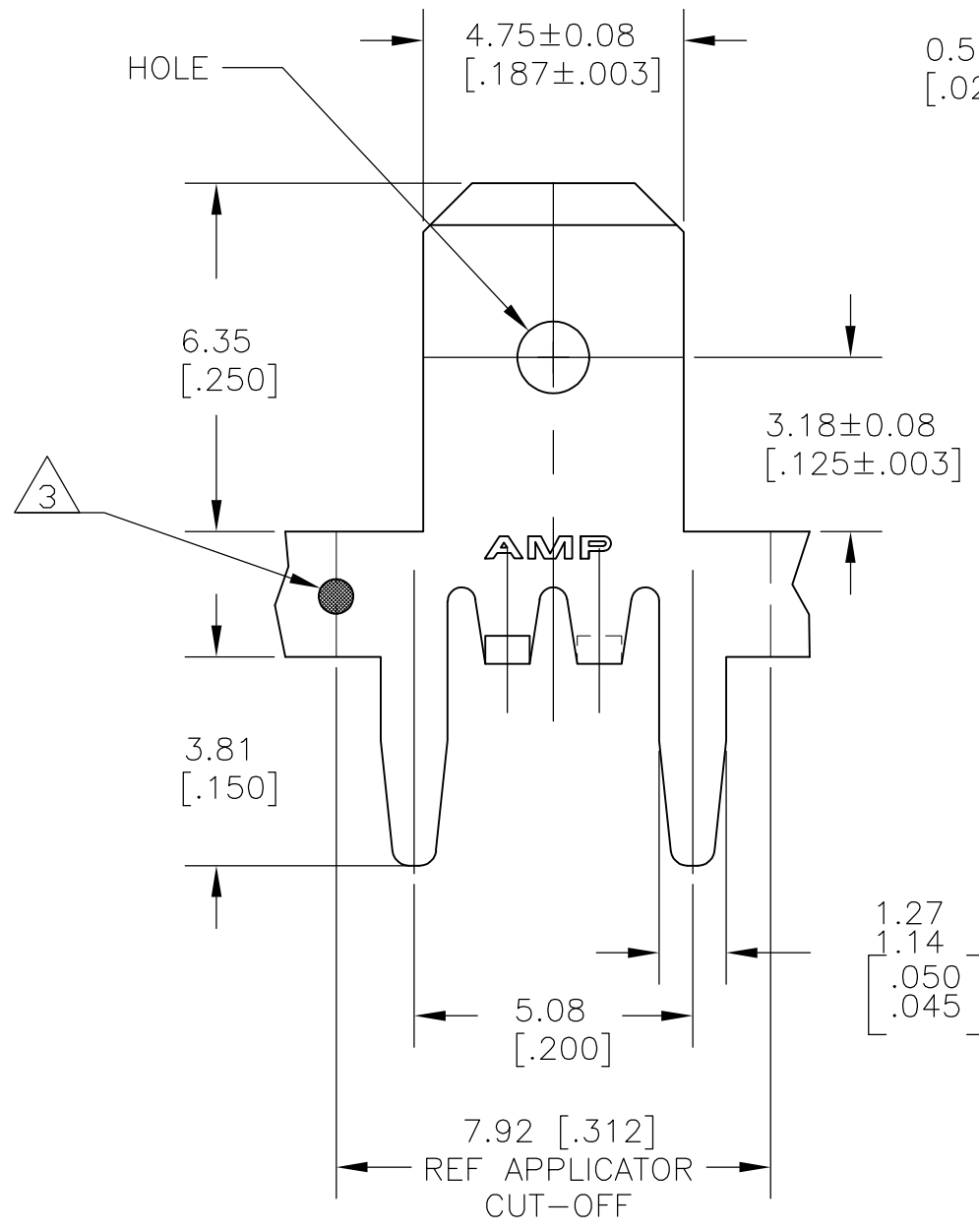
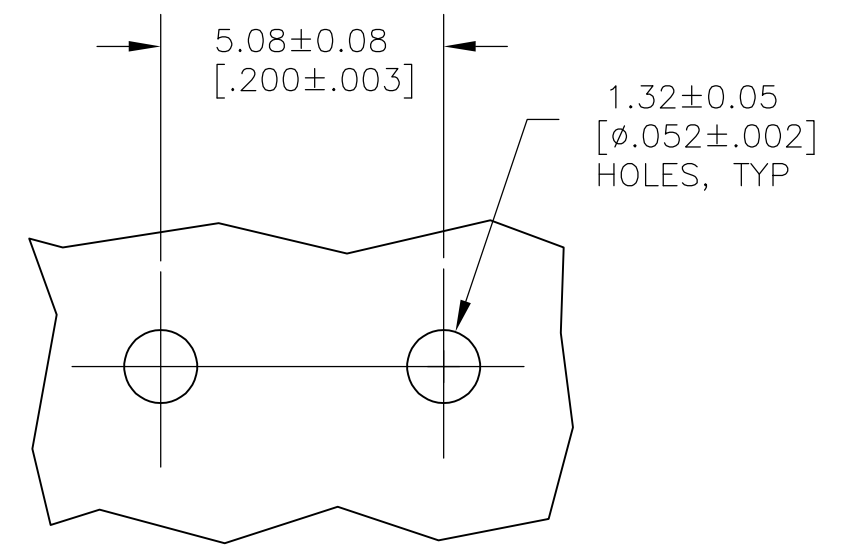


LOC		DIST		REVISIONS					
AF		50		P	LTR	DESCRIPTION	DATE	DWN	APVD
					K5	REVISED PER ECO-11-013116	29JUN1	JR	PD



- 1 CONTINUOUS STRIP ON REELS.
- 2 TIN PLATE 0.00381 [0.000150] MIN OVER 0.00254 [0.000100] MIN COPPER OR TIN PLATE 0.00381 [0.000150] MIN THK OVER 0.00127 [0.000050] MIN THK NICKEL.
- 3 OPTIONAL ID MARK, LOCATED APPROX AS SHOWN.
- 4 REELED WITH INTERLEAVING PAPER



P.C. BOARD HOLE PATTERN

4	---	63823-4
	63982-1	63823-1
	LOOSE PIECE P/N	PART NO.

THIS DRAWING IS A CONTROLLED DOCUMENT.		DWN	JR RUTH	13FEB01	TE Connectivity NAME TAB, FASTON, P.C.BOARD 4.75 [.187]	
DIMENSIONS: mm[INCHES]		CHK	MS FEHER	13FEB01		
TOLERANCES UNLESS OTHERWISE SPECIFIED: 0 PLC ± - 1 PLC ± - 2 PLC ± 0.25 [.010] 3 PLC ± - 4 PLC ± - ANGLES ± -		APVD	N DEIBERT	13FEB01		
MATERIAL		PRODUCT SPEC	-			
082 BRASS		FINISH	2		APPLICATION SPEC	114-2115
		WEIGHT	-		SIZE	A3
		CUSTOMER DRAWING			CAGE CODE	00779
					DRAWING NO	C-63823
					RESTRICTED TO	-
					SCALE	8:1
					SHEET	1 OF 1
					REV	K5