

4

3

2

1

THIS DRAWING IS UNPUBLISHED. RELEASED FOR PUBLICATION AUG 2006.

© COPYRIGHT 2009 BY TYCO ELECTRONICS CORPORATION. ALL RIGHTS RESERVED.

LOC	DIST	REVISIONS			
P	LTR	DESCRIPTION	DATE	DWN	APVD
DW	-				
	A	REVISED (ECR-09-010844), OBSOLETE -1	15MAY09	SC	WK

NOTES:

1. MATERIAL:

- HOUSING: THERMOPLASTIC(PBT), UL94V-0, COLOR BLUE (661C)
- CONTACT: BRASS
- SHELL: STEEL
- BOARDLOCK: BRASS
- RIVET AND SCREW: BRASS

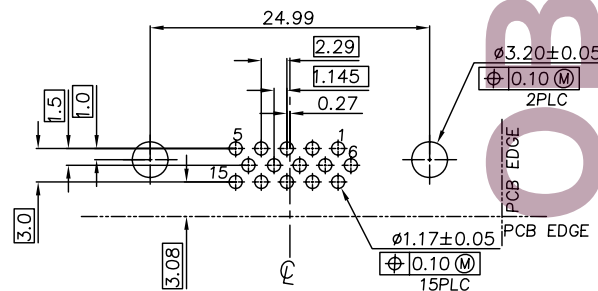
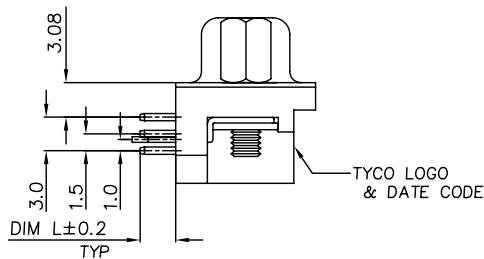
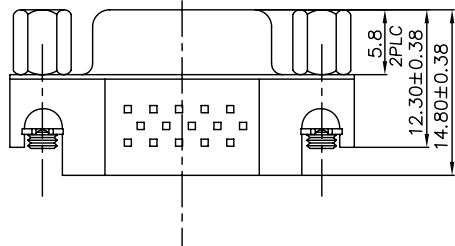
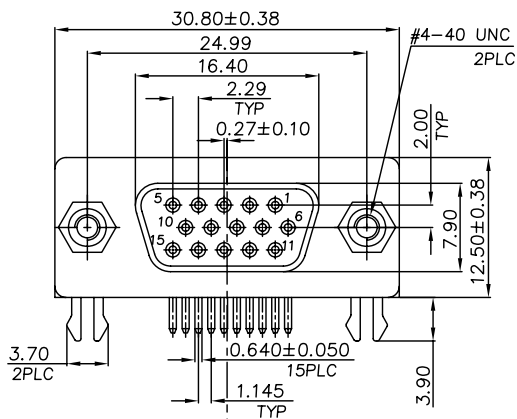
2. FINISH:

- CONTACT: GOLD FLASH PLATED ON CONTACT AREA
2.54um[100u"] MIN. MATTE TIN PLATED ON SOLDER TAILS
1.27um[50u"] MIN. NICKEL UNDERPLATED OVERALL
- SHELL: 2.03um[80u"] MIN. NICKEL PLATED
- BOARDLOCK: 2.54um[100u"] MIN. MATTE TIN PLATED ON SOLDER TAILS
1.27um[50u"] MIN. NICKEL UNDERPLATED OVERALL
- RIVET AND SCREW: 2.03um[80u"] MIN. NICKEL PLATED

3. WAVE SOLDER CAPABLE TO 265°C

PER TE SPEC. 109-202, CONDITION B.

4. RECOMMENDED P.B.C. THICKNESS: 1.0~1.8mm



RECOMMENDED P.C.B. LAYOUT
PCB TOLERANCE : ±0.05

	2.54	1734323-2
OBSOLETE	3.18	1734323-1
	DIM L	PART NUMBER

THIS DRAWING IS A CONTROLLED DOCUMENT.		DWN S. CHIEN	15MAY2009	Tyco Electronics Corporation Taipei, Taiwan												
DIMENSIONS: MM		CHK S. CHIEN	15MAY2009													
TOLERANCES UNLESS OTHERWISE SPECIFIED:		APVD W. KODAMA	15MAY2009	NAME D-SUB 15 POSITION RIGHT ANGLE, DIP TYPE												
<table border="0"> <tr><td>0 PLC</td><td>± -</td></tr> <tr><td>1 PLC</td><td>± 0.3</td></tr> <tr><td>2 PLC</td><td>± 0.2</td></tr> <tr><td>3 PLC</td><td>± 0.1</td></tr> <tr><td>4 PLC</td><td>± -</td></tr> <tr><td>ANGLES</td><td>± 3°</td></tr> </table>		0 PLC	± -	1 PLC	± 0.3	2 PLC	± 0.2	3 PLC	± 0.1	4 PLC	± -	ANGLES	± 3°	PRODUCT SPEC 108-57540	APPLICATION SPEC 501-57622	SIZE A3
0 PLC	± -															
1 PLC	± 0.3															
2 PLC	± 0.2															
3 PLC	± 0.1															
4 PLC	± -															
ANGLES	± 3°															
MATERIAL SEE NOTE		FINISH SEE NOTE	WEIGHT - GRAMS	CAGE CODE 00779												
		CUSTOMER DRAWING		DRAWING NO C=1734323												
				RESTRICTED TO -												
				SCALE -												
				SHEET 1 OF 2												
				REV A												

OBSOLETE NOT the LATEST REVISION

4

3

2

1

THIS DRAWING IS UNPUBLISHED.

RELEASED FOR PUBLICATION

AUG ,2006 .

© COPYRIGHT 2009 BY TYCO ELECTRONICS CORPORATION. ALL RIGHTS RESERVED.

ALL RIGHTS RESERVED.

LOC DW

DIST

REVISIONS

P

LTR

DESCRIPTION

DATE

DWN

APVD

SEE SHEET 1.

NOTES:

1. MATERIAL:

TRAY: PVC

SHIPPING CARTON: CORRUGATED FIBER

2. DIMENSION:

TRAY: 358mm(L)x241mm(W)x24.6mm(H)

SHIPPING CARTON: 360mm(L)x242mm(W)x250mm(H)

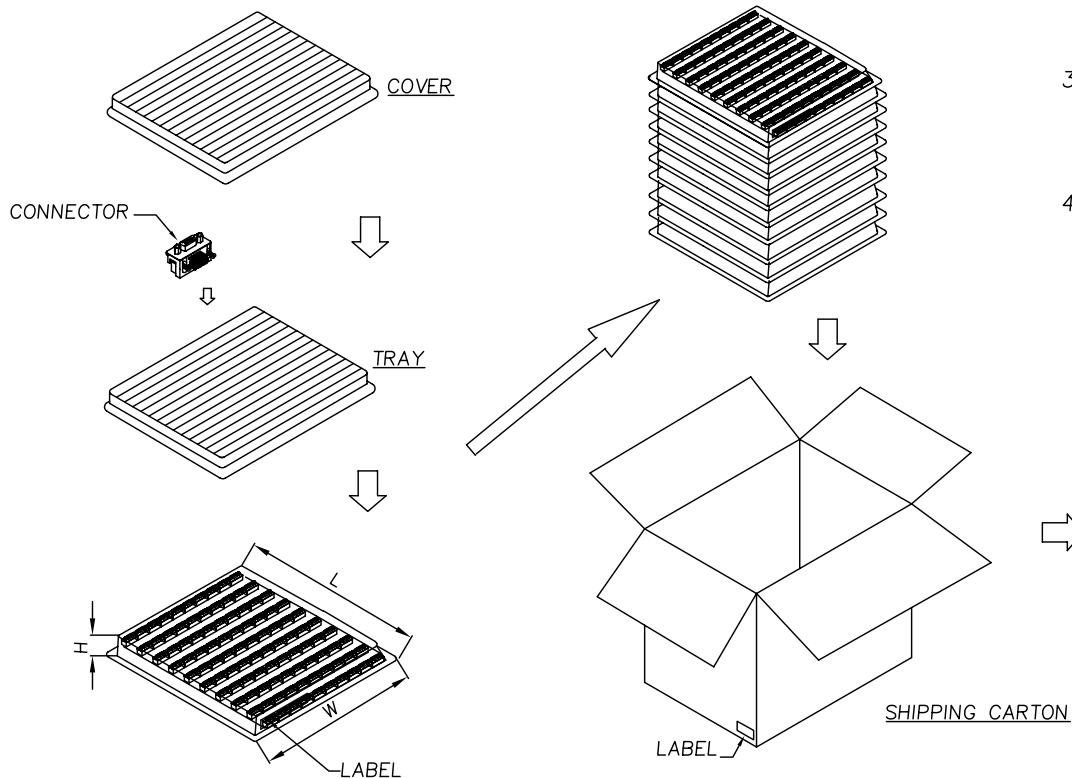
3. QUANTITY:

100 PCS/TRAY

10 TRAYS/SHIPPING CARTON

4. WEIGHT:

GROSS WT.: 10.6KGS/SHIPPING CARTON



THIS DRAWING IS A CONTROLLED DOCUMENT.

DIMENSIONS:
MM



TOLERANCES UNLESS OTHERWISE SPECIFIED:

0 PLC	± -
1 PLC	± -
2 PLC	± -
3 PLC	± -
4 PLC	± -
ANGLES	± -

MATERIAL

FINISH

DWN	---
CHK	---
APVD	---
PRODUCT SPEC	---
APPLICATION SPEC	---
WEIGHT	---
CUSTOMER DRAWING	---



Tyco Electronics Corporation
Taipei, Taiwan

NAME
D-SUB 15 POSITION RIGHT ANGLE, DIP TYPE

SIZE	CAGE CODE	DRAWING NO	RESTRICTED TO
A3	00779	G=1734323	---

SCALE	SHEET	REV
---	2 OF 2	A