

PART NUMBER	REV	FIRST USED
567851-1	B	854040-4

TERMINAL NAME: TAB		286542	VISIBLE	CRIMPING DATA	
PAD	LTR	CRIMP HEIGHT	WIRE SIZE		
A		.047 ±.002 [1.22 ±0.05mm]	0.5mm ²		
B		NOT	USED		
C		NOT	USED		
D		NOT	USED		
CRIMP	SIZE	TYPE	RANGE		
WIRE	.088 [2.24mm]	F	0.5mm ²		
INSUL	.118 [3.0mm]	F	Ø2.2mm MAX		
WIRE STRIP LENGTH	TERM APPL SPEC	FEED	APPL INSTRUCTION	SET UP GAGE	LAYOUT
.20-.25		.395	SEE CUSTOMER MANUAL	NONE	L1864

STANDARD FORCE CRIMP QUALITY MONITOR APPLICATOR

QTY	REV	U/M	DWG SIZE	PART NO	DESCRIPTION	ITEM NO
1	-	A		2-21010-7	SCR, SET (6-32x.12) LIFT ARM	67
1	-	B		1-21002-6	SCR, BHC (6-32x.25) LEVER	66
1	-	B		856044-1	LEVER, SLIDE LOCK	65
1	-	A		2-21000-0	SCR, SHC (6-32x.50) LIFT ARM	64
1	-	B		856043-1	ARM, LIFT	63
1	-	A		2-21000-6	SCR, SHC (8-32x.38) EXT ARM	62
1	-	B		856042-1	ARM, EXTENSION	61
						60
						59
						58
1	-	A		7-21013-3	SCR, SET (5/16x.38) CR BOLT	57
REF	-	B		694433-8	PAWL, FEED	56
						55
						54
						53
						52
1	-	A		811242-2	BUMPER, HOLDDOWN	51
1	-	A		690753-1	SPACER, TONKER	50
						49
1	-	A		690602-6	CAM, PRE-FEED 1.62 STROKE	48
						47
						46
1	-	A		690191-1	PLUG, NYLON	45
1	-	C		853493-4	SIDE FEED RAM ASSY	44
1	-	A		690125-1	WASHER, LAMINATED	43
1	-	A		690124-1	WASHER, RAM	42
1	-	A		7-21002-9	BOLT, CRIMPER (5/16x1.00)	41
1	-	A		23241-6	BALL, STEEL	40
1	-	A		690170-1	SPRING, COMPRESSION	39
1	-	C		690142-1	DISC, INSULATION	38
1	-	D		354777-1	WIRE DISC, PLASTIC	37
1	-	A		22480-5	WASHER, SPRING	36
1	-	B		856041-1	POST, RAM	35
1	-	B		690786-4	SUPPORT, TERMINAL	34
1	-	C		462544-1	PLATE, BASE SPECIAL	33
						32
1	-	B		462543-1	BLOCK, SCREW SPECIAL	31
1	-	B		455689-1	BLOCK, STRIP GUIDE ADJ	30
1	-	C		318042-1	STRIP GUIDE PLATE ASSY	29
1	-	C		455888-7	SPACER, FRONT SHEAR DEP	28
2	-	A		1-22284-0	SPRING, DRAG	27
1	-	B		690546-1	LEVER, DRAG RELEASE	26
1	-	B		240792-1	DRAG, TERMINAL	25
1	-	D		9-690504-2	GUIDE, STRIP (REAR)	24
1	-	A		690438-1	GUIDE, STRIP (FRONT)	23
						22
1	-	A		463756-1	GUIDE, SCRAP	21
1	-	A		904275-1	SUPPORT, SPRING	20
REF	-	C		462615-1	STRIPPER	19
						18
						17
						16
						15
						14
						13
1	-	A		6-22279-4	SPRING, SHEAR	12
1	-	B		690461-2	STOP, SHEAR (FRONT)	11
1	-	B		462548-3	HOLDER, SHEAR (FRONT) SP	10
1	-	B		462547-3	SHEAR, FLOAT (FRONT) SP	9
1	-	C		9-683403-9	ANVIL	8
						7
						6
1	-	A		462838-1	DEPRESSOR, SHEAR (FRONT) SP	5
1	-	B		1-238011-0	SPACER, BLOCK CRIMPER	4
1	-	C		9-683453-9	CRIMPER, INSULATION	3
1	-	C		455888-4	SPACER, CRIMPER	2
1	-	C		2-568176-7	CRIMPER, WIRE	1

QTY	REV	U/M	DWG SIZE	PART NO	DESCRIPTION	ITEM NO
2	-	C		4-354779-8	PIN, WIRE DISC (.3230)C	129
						128
						127
						126
1	-	A		986950-1	WASHER, FLAT PRECISION	125
1	-	A		217238-4	DOCUMENTATION PACKAGE	124
						123
						122
						121
1	-	B		690701-2	PLATE, SERIAL NO.	120
2	-	A		21899-2	WASHER, FLAT (#10) S G ADJ BLK	119
						118
2	-	A		21024-5	WASHER, LOCK (#10) ADJ BLOCK	117
						116
						115
2	-	A		21024-2	WASHER, LOCK (#4) FRONT STP GUIDE	114
REF	-	A		21024-4	WASHER, LOCK (#8) FEED FINGER	113
2	-	A		21024-4	WASHER, LOCK (#8) DEP-HOLD	112
REF	-	A		21024-4	WASHER, LOCK (#8) STRIPPER	111
						110
						109
1	-	A		21018-5	NUT, HEX (#6) HOLD DOWN	108
						107
						106
						105
						104
1	-	A		21009-2	SCR, SKT SET (1/4-20x.25 LW) RAM	103
						102
4	-	A		21017-2	SCR, DRIVE (#2x.19) ID PLATE	101
1	-	B		819347-1	PLATE, IDENTIFICATION	100
2	-	A		3-21002-0	SCR, BHC (10-32x.88) DRAG	99
1	-	A		22733-8	SCR, BHC (8-32x.38 LW) ANVIL	98
						97
1	-	A		3-21000-8	SCR, SHC (10-32x.88) MOUNTING	96
1	-	A		2-21002-7	SCR, BHC (10-32x.50) S G ADJ BLK	95
6	-	A		2-21002-2	SCR, BHC (8-32x.50) SHEAR-TERM SUP	94
						93
						92
1	-	A		1-21002-7	SCR, SHC (6-32x.50) CAM	91
4	-	A		2-21000-7	SCR, SHC (8-32x.50) SCR BLK	90
						89
						88
						87
REF	-	A		2-22603-0	SCR, HEX HD (8-32x.31) FEED FINGER	86
2	-	A		1-21000-3	SCR, SHC (4-40x.25) F ST GUIDE	85
REF	-	A		22733-9	SCR, BHC (8-32x.50 SL) STRIPPER	84
						83
						82
1	-	A		3-22603-1	SCR, HEX (10-32x.38) S G ADJ BL	81
						80
						79
						78
2	-	B		463310-5	BLADE, STRIPPING (#20)	77
-	-	D		354440-3	FFC LOOP ASSY	76
						75
1	-	A		690603-1	SPRING, ASSIST	74
1	-	A		23030-1	SCR, SKT CAP (6-32x.25) CP DSC	73
						72
2	-	B		853495-1	GASKET	71

QTY	REV	U/M	DWG SIZE	PART NO	DESCRIPTION	ITEM NO

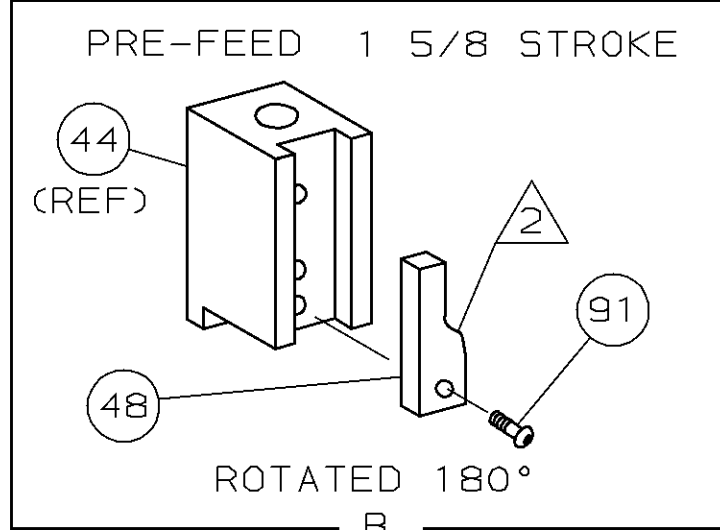
QTY	REV	U/M	DWG SIZE	PART NO	DESCRIPTION	ITEM NO

DIMENSIONS IN INCHES. DO NOT SCALE PRINT. TOLERANCES UNLESS OTHERWISE SPECIFIED.		REVISION OF EACH ASSY NO (WHEN BLANK, USE DWG REVISION)	
2 PLC DEC ±.02	3 PLC DEC ±.01	4 PLC DEC ±.01	5 PLC DEC ±.01
ANGLES ± SURF TEXTURE: REMOVE BURRS, BREAK SHARP EDGES R.015 MAX		MACHINE REF STRIPPER CRIMPER	
SCALE		SHEET 1 OF 1	

THIS DRAWING IS A CONTROLLED DOCUMENT FOR AMP INCORPORATED. IT IS SUBJECT TO CHANGE AND THE CONTROLLING ENGINEERING ORGANIZATION SHOULD BE CONTACTED FOR THE LATEST REVISION.

THIS INFORMATION IS CONFIDENTIAL AND IS DISCLOSED TO YOU ON CONDITION THAT NO FURTHER DISCLOSURE IS MADE BY YOU TO OTHER THAN AMP PERSONNEL WITHOUT WRITTEN AUTHORIZATION FROM AMP INCORPORATED, HARRISBURG, PA.

LOC A
DIST 66



- 1 RECOMMENDED SPARE PARTS.
- 2 GREASE LIGHTLY.
- 3 ITEM NOT SHOWN
- 4 TORQUE ITEM 41 TO 60 INCH POUNDS
- 5 ATTACH ITEM 20 TO ITEM 33 USING ADHESIVE PART NUMBER 28998-6.
- 6 APPLY TERMINAL PER TRW SAFETY SYSTEMS SPEC TRWES01001A.