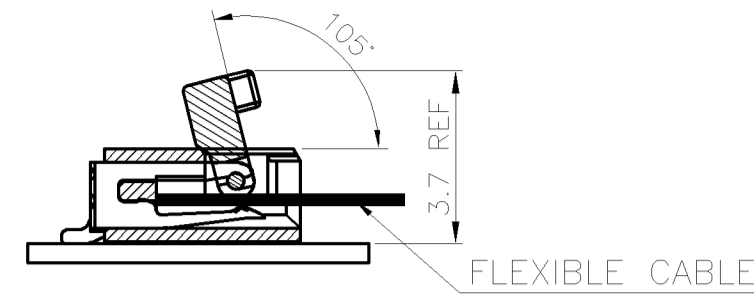
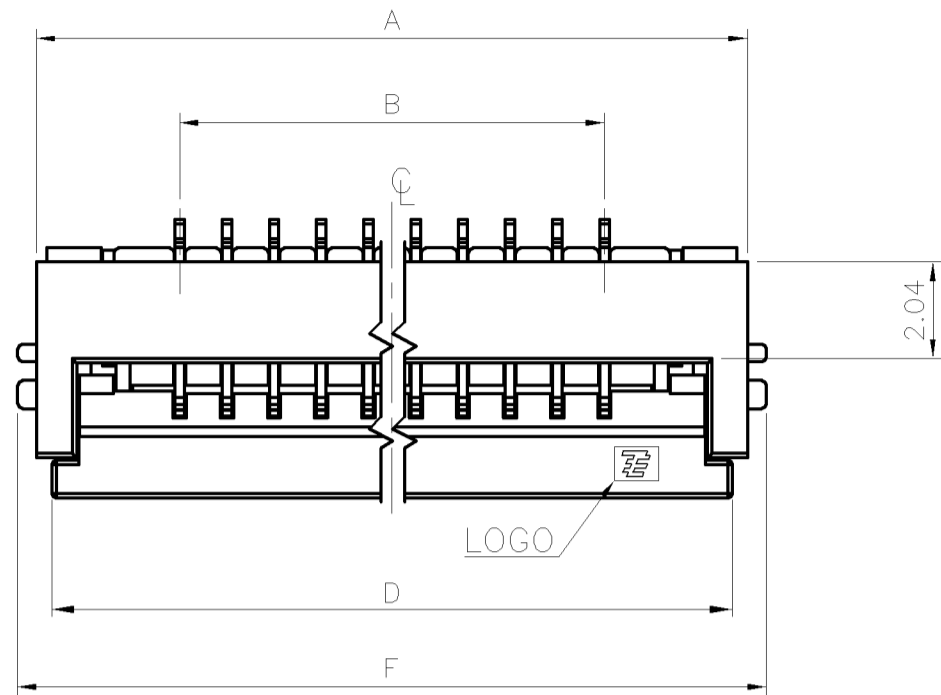


THIS DRAWING IS UNPUBLISHED. RELEASED FOR PUBLICATION  
 © COPYRIGHT 2010 BY TYCO ELECTRONICS CORPORATION. ALL RIGHTS RESERVED.

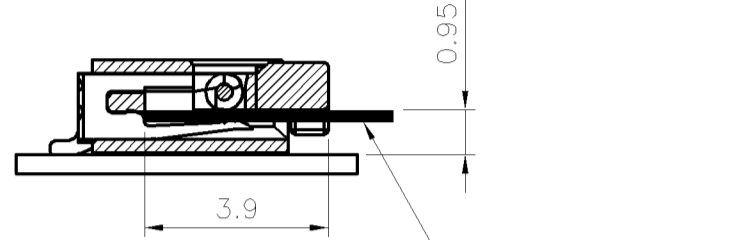
LOC	DIST	REVISIONS					
DW	-	P	LTR	DESCRIPTION	DATE	DWN	APVD
		H1		OBsolete PARTS	08JAN16	H.X	W.H

NOTES:

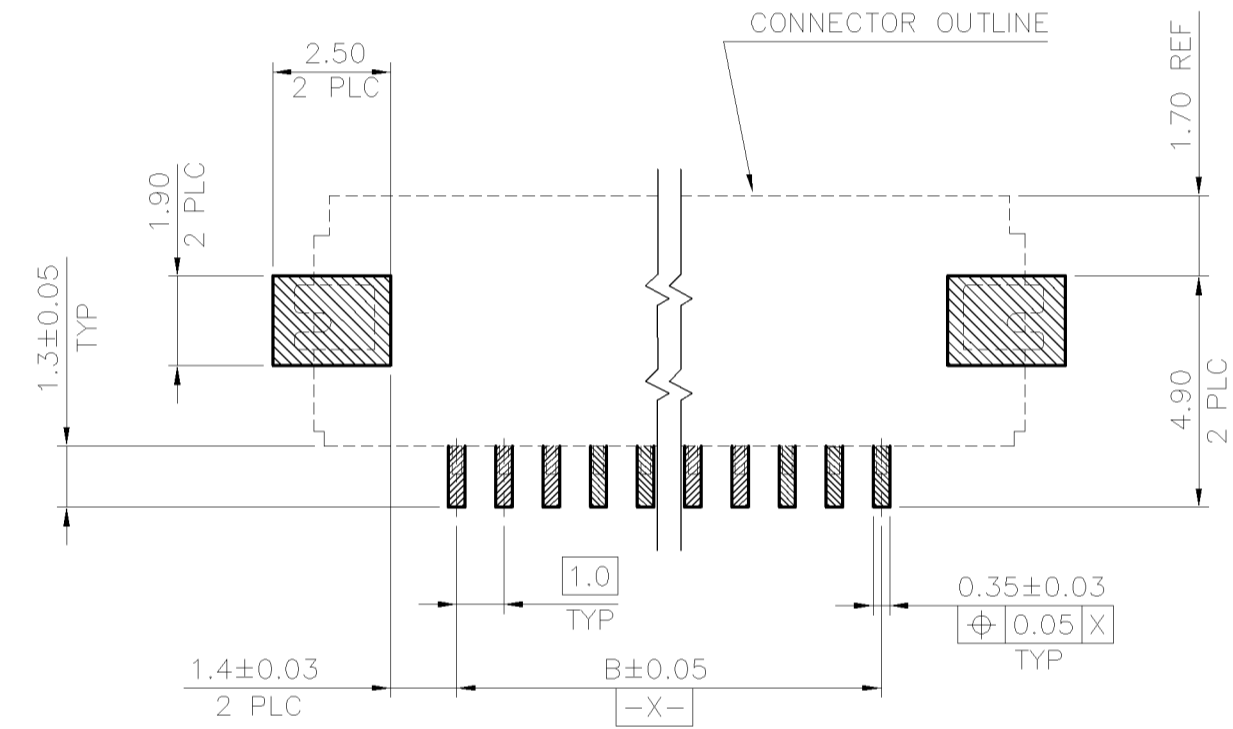
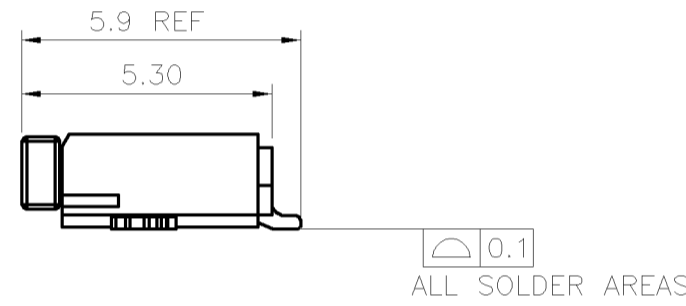
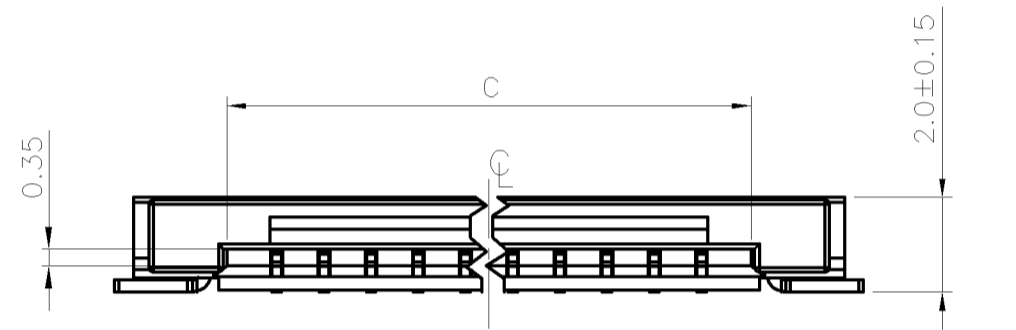
- MATERIAL:  
 HOUSING: LCP WITH 30% GF, UL94 V-0, NATURAL COLOR.  
 ACTUATOR: LCP WITH 40% GF, UL94 V-0, BLACK COLOR.  
 CONTACTS: PHOSPHOR BRONZE.  
 PEGS: BRASS.
- FINISH:  
 CONTACTS: 0.0762µm [3µ"] MIN. GOLD PLATED ON CONTACT AREA, GOLD FLASH ON SOLDER TAIL, WITH ENTIRE CONTACT UNDERPLATED 1.27µm [50µ"] MIN. NICKEL.  
 PEGS: 2.54µm [100µ"] MIN. MATTE-TIN OVER 1.27µm [50µ"] MIN. NICKEL
- REFLOW SOLDER CAPABLE TO 260°C PER TEC-109-201, CONDITION B.
- SUBSTANCE RESTRICTIONS FOR LOW HALOGEN (BY WEIGHT):
  - BROMINE (Br) ≤ 900 PPM (0.09%)
  - CHLORINE (Cl) ≤ 900 PPM (0.09%)
  - TOTAL CONCENTRATION OF CHLORINE (Cl) + BROMINE (Br) ≤ 1500 PPM (0.15%)



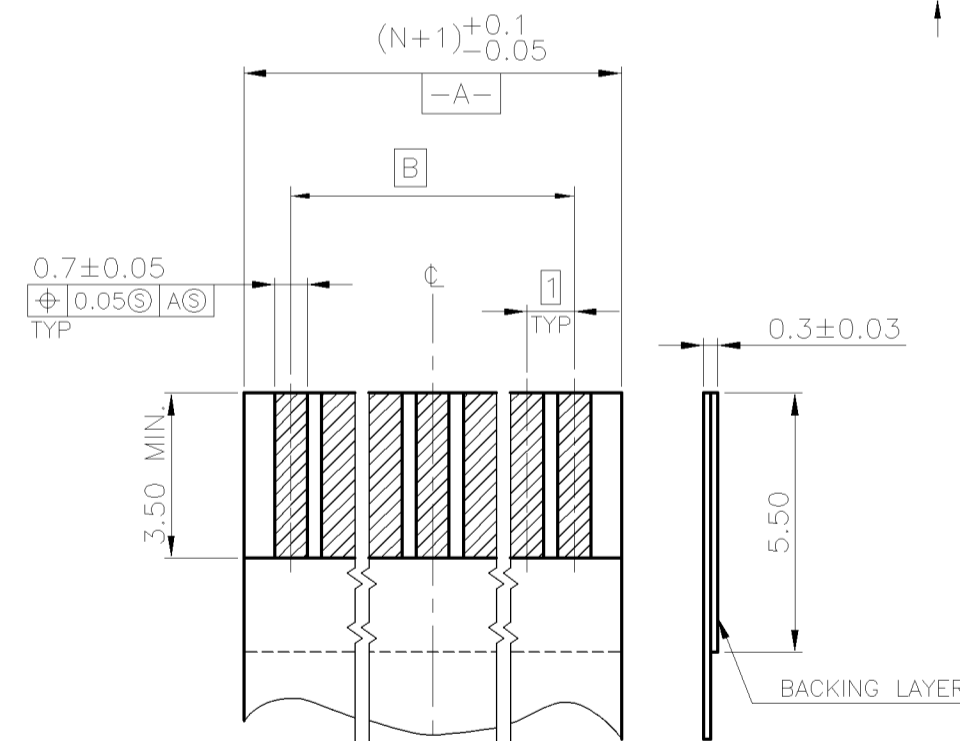
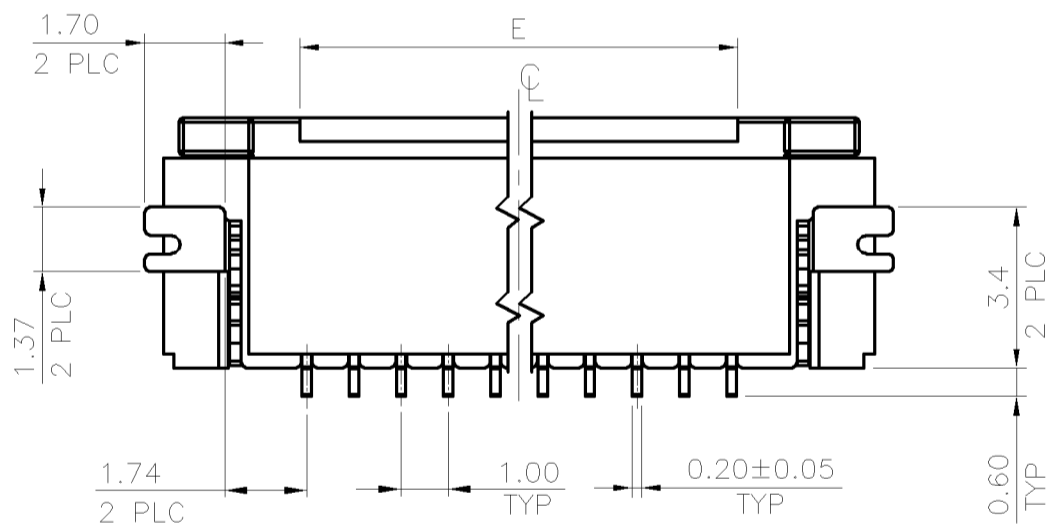
OPEN STATUS



CLOSE STATUS



TOLERANCE: ±0.08  
RECOMMENDED P.C.B. LAYOUT (TOP VIEW)



(N = NO. OF CONTACTS)  
RECOMMENDED FPC/FFC LAYOUT

OBsolete

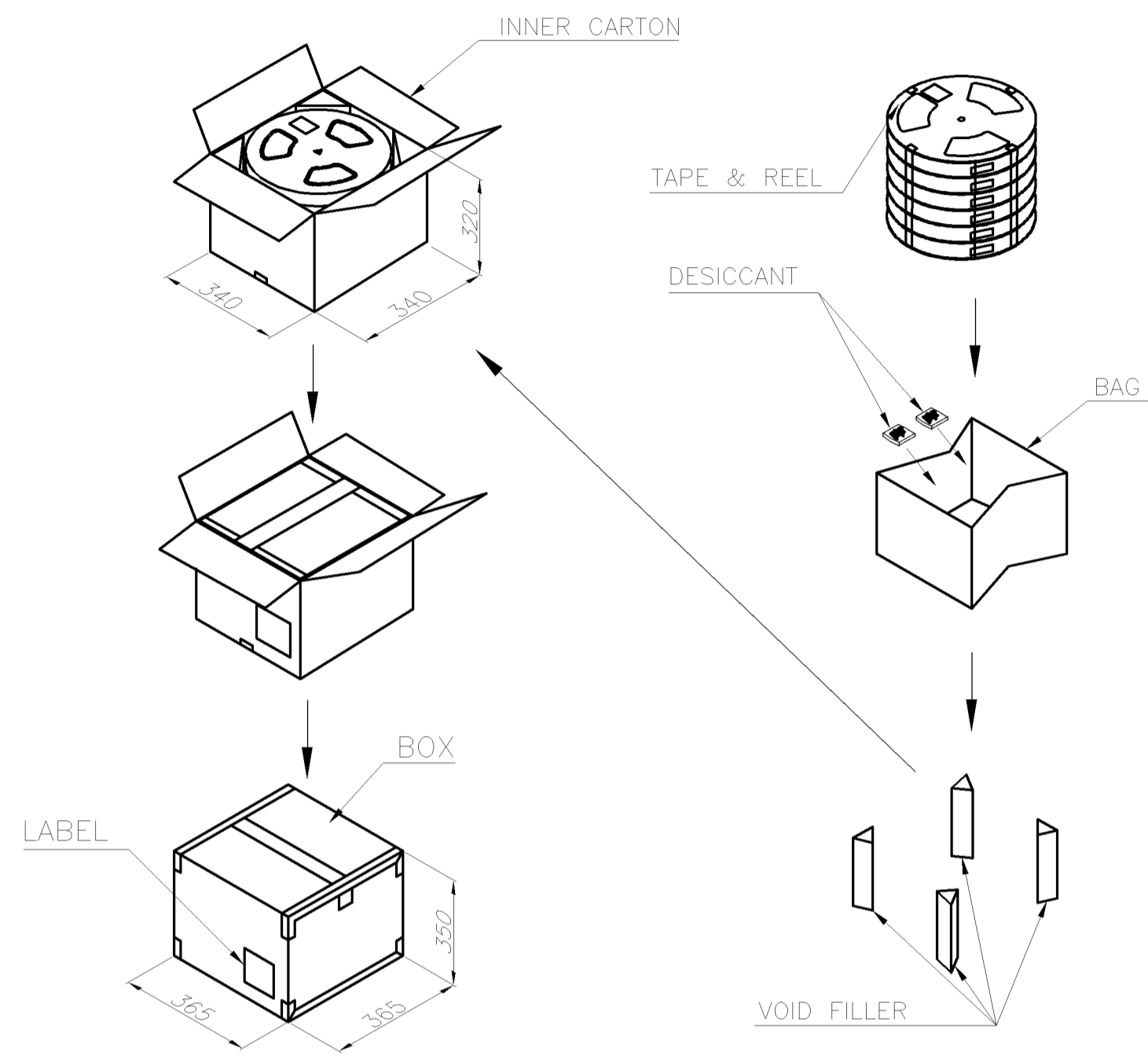
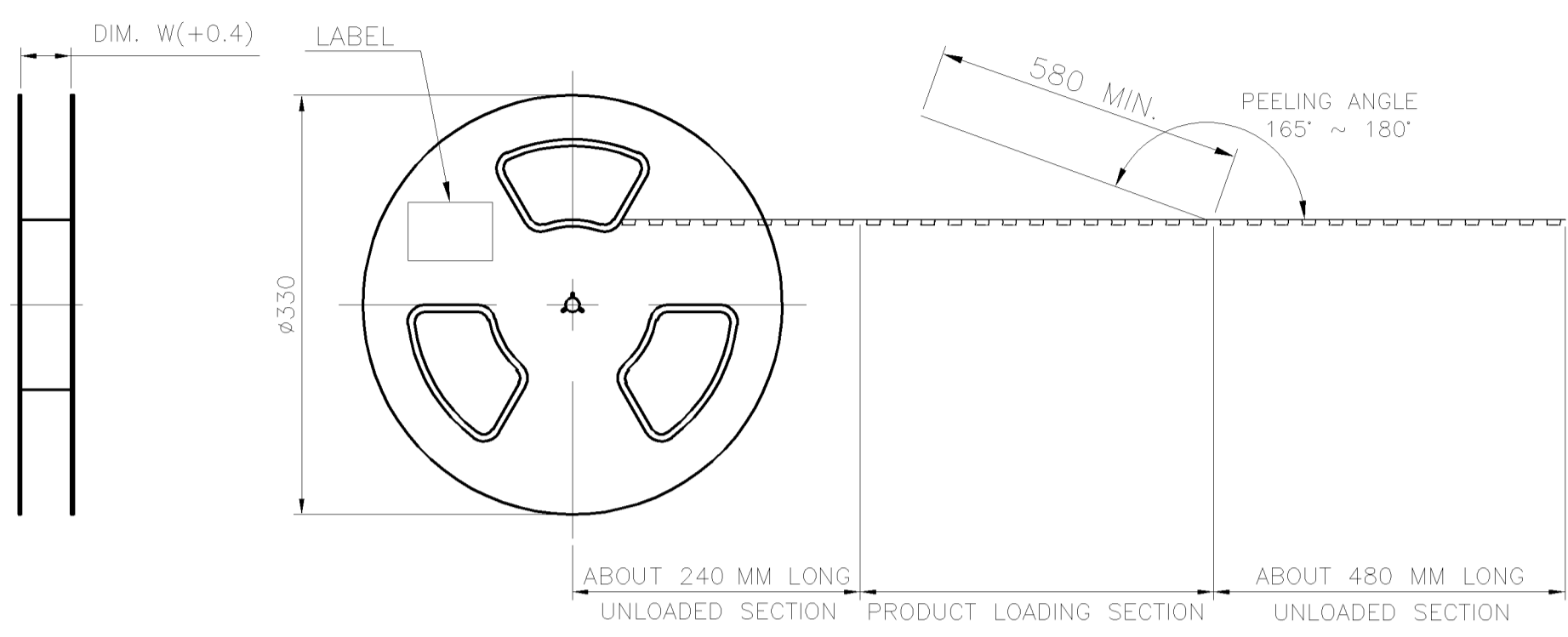
35.87	7.0	34.41	31.10	29.0	35.07	30	3-2041084-0
30.87	7.0	29.41	26.10	24.0	30.07	25	2-2041084-5
21.87	7.0	20.41	17.10	15.0	21.07	16	1-2041084-6
17.87	11.28	16.41	13.10	11.0	17.07	12	1-2041084-2
15.87	9.28	14.41	11.10	9.0	15.07	10	1-2041084-0
13.87	7.28	12.41	9.10	7.0	13.07	8	2041084-8
11.87	5.28	10.41	7.10	5.0	11.07	6	2041084-6
9.87	3.28	8.41	5.10	3.0	9.07	4	2041084-4
F	E	D	C	B	A	NO. OF CONTACTS	PART NUMBER

THIS DRAWING IS A CONTROLLED DOCUMENT.

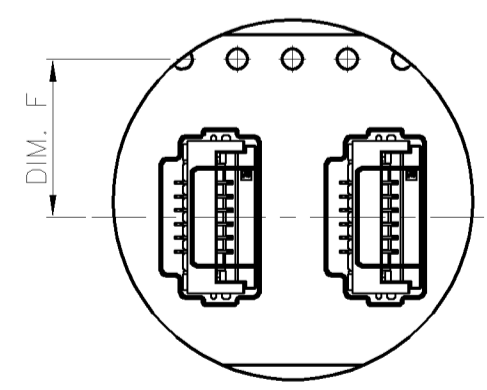
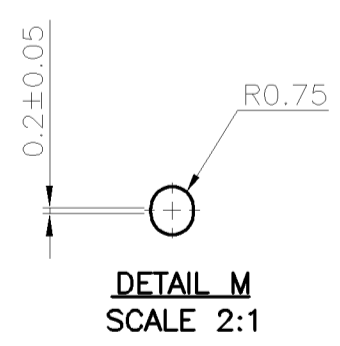
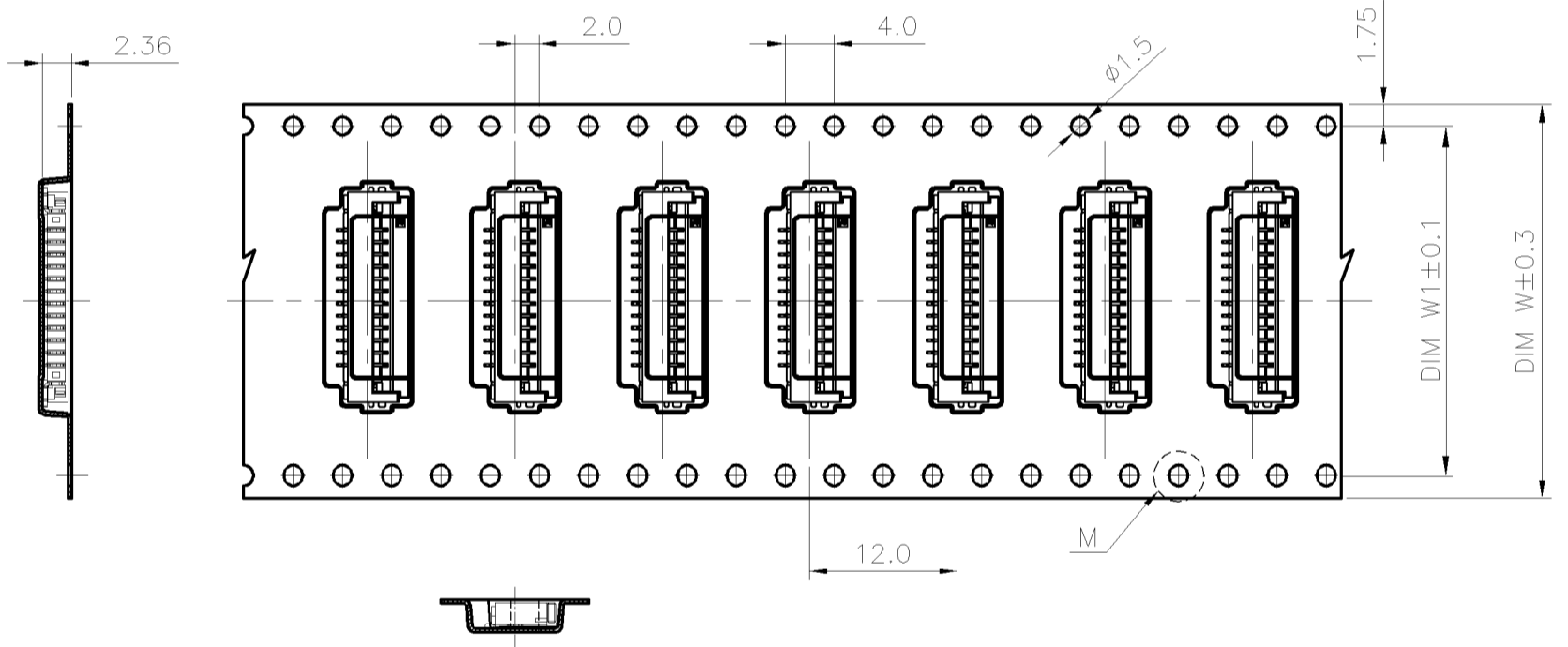
DWN	A. WU	07AUG2008	Tyco Electronics Corporation Taipei, Taiwan			
CHK	S. HOU	07AUG2008				
APVD	W. KODAMA	07AUG2008				
NAME	FPC CONNECTOR, 1.0 PITCH, 105° ZIF, BOTTOM CONTACT					
DIMENSIONS: MM	TOLERANCES UNLESS OTHERWISE SPECIFIED:	PRODUCT SPEC	SIZE	CAGE CODE	DRAWING NO	RESTRICTED TO
0 PLC ±	1 PLC ±0.3	108-57365	A2	00779	C=2041084	-
2 PLC ±0.2	3 PLC ±	APPLICATION SPEC	SCALE	SHEET	REV	
4 PLC ±	ANGLES ±3'	WEIGHT	-	1 of 2	H1	
MATERIAL	FINISH	CUSTOMER DRAWING				
SEE NOTE	SEE NOTE					

THIS DRAWING IS UNPUBLISHED. RELEASED FOR PUBLICATION  
 © COPYRIGHT 2010 BY TYCO ELECTRONICS CORPORATION. ALL RIGHTS RESERVED.

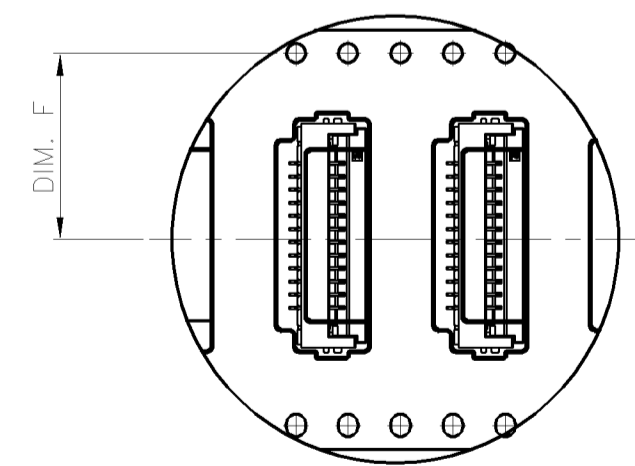
LOC	DIST	REVISIONS			
P	LTR	DESCRIPTION	DATE	DWN	APVD
DW	-	SEE SHEET 1.			



USER DIRECTION OF UNREELING →



FOR 4 ~ 8 CONTACTS SINGLE ROW



FOR 10 ~ 30 CONTACTS DUAL ROW

PCS/BOX	PCS/TAPE	REELS/BOX	DIM W1	DIM F	DIM W	G/W (Kg)	N/W (Kg)	NO. OF CONTACT
10000	2000	5	52.4	36.2	56	12.25	5.3	30
12000	2000	6	40.4	20.2	44	13.61	6.3	25
16000	2000	8	28.4	14.2	32	11.62	5.02	16
						10.8	4.2	12
						10.35	4.3	10
20000	2000	10	-	11.5	24	10.21	3.86	8
						10.1	3.15	6
						9.9	2.75	4

THIS DRAWING IS A CONTROLLED DOCUMENT.		DWN A. WU 07AUG2008	Tyco Electronics Corporation Taipei, Taiwan	
DIMENSIONS: MM		CHK S. HOU 07AUG2008	NAME	
TOLERANCES UNLESS OTHERWISE SPECIFIED:		APVD W. KODAMA 07AUG2008	FPC CONNECTOR, 1.0 PITCH, 105° ZIF, BOTTOM CONTACT	
0 PLC ±		PRODUCT SPEC	SIZE	RESTRICTED TO
1 PLC ±		APPLICATION SPEC	CAGE CODE	
2 PLC ±		WEIGHT	DRAWING NO	
3 PLC ±		CUSTOMER DRAWING	A2 00779	
4 PLC ±		SCALE	C=2041084	
ANGLES ±		SHEET	2 of 2	
FINISH		REV	H1	