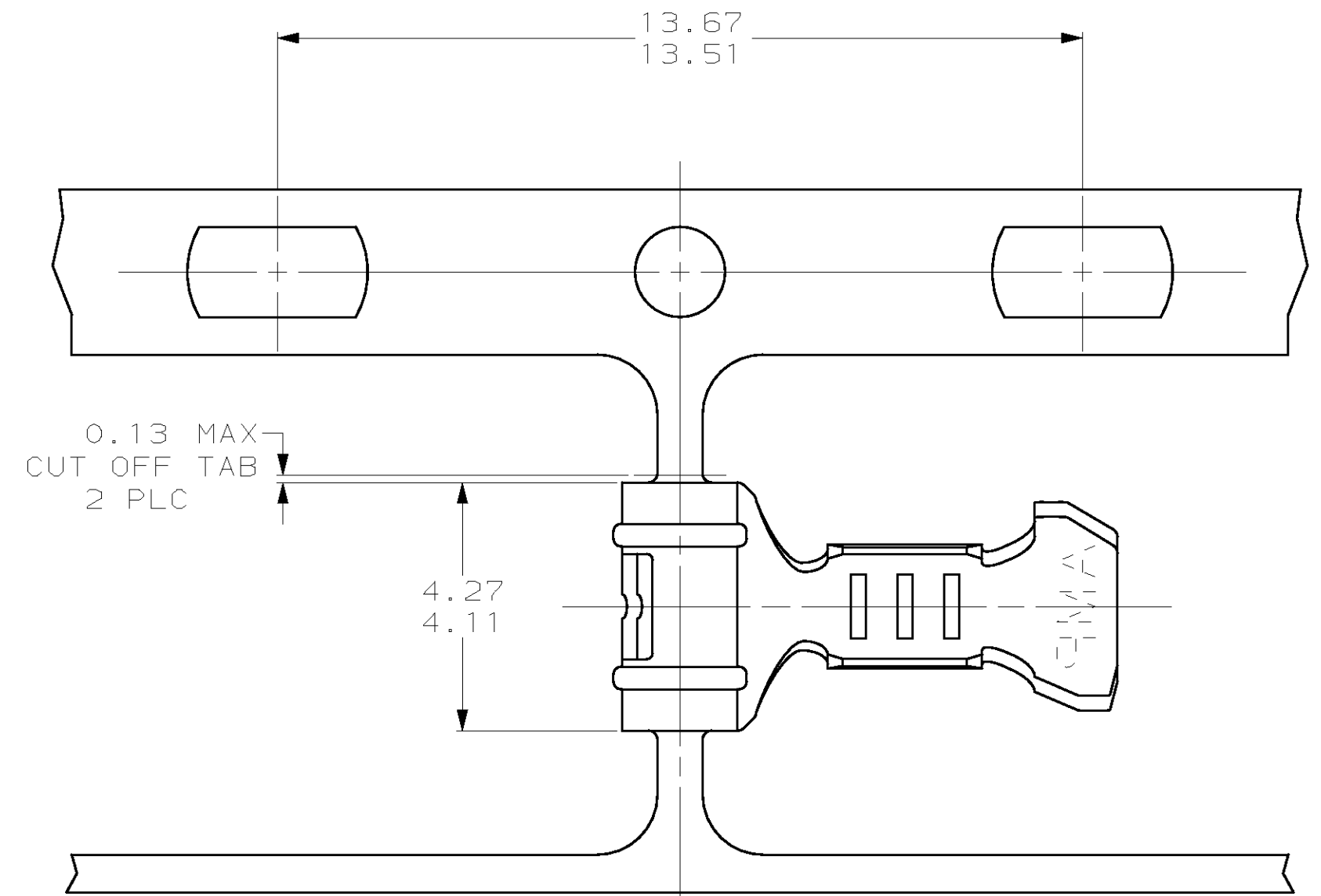
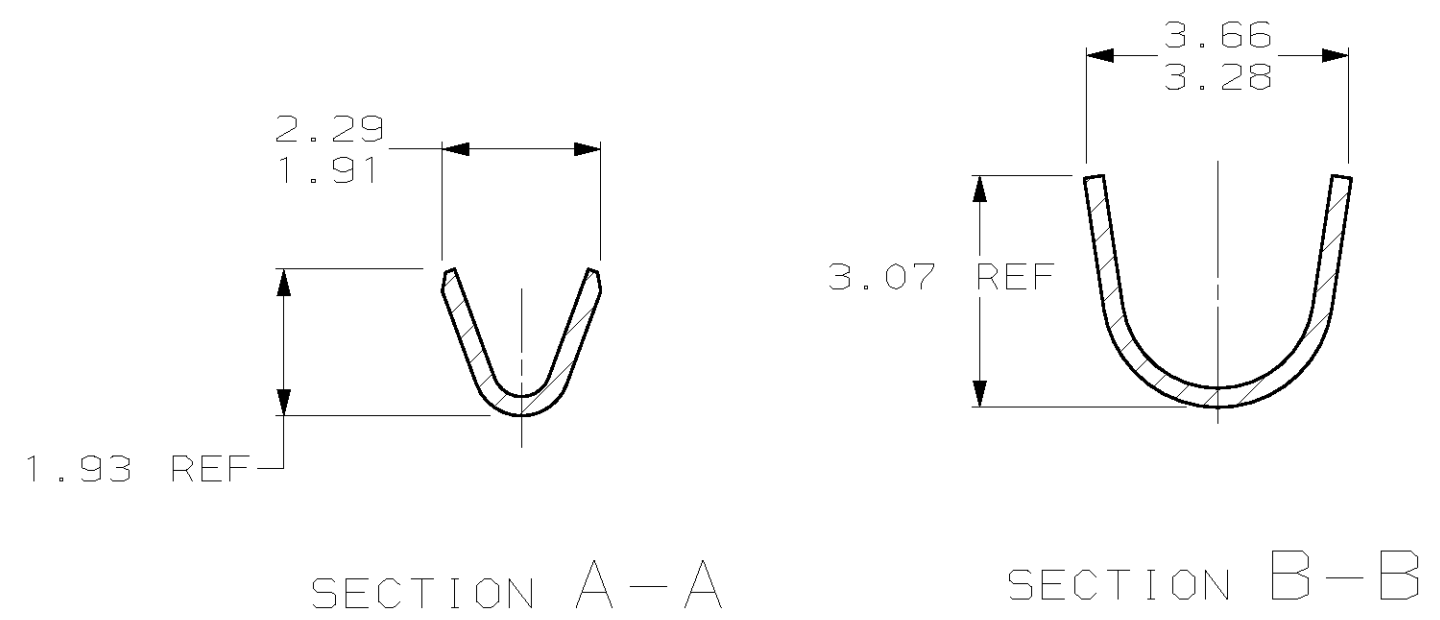
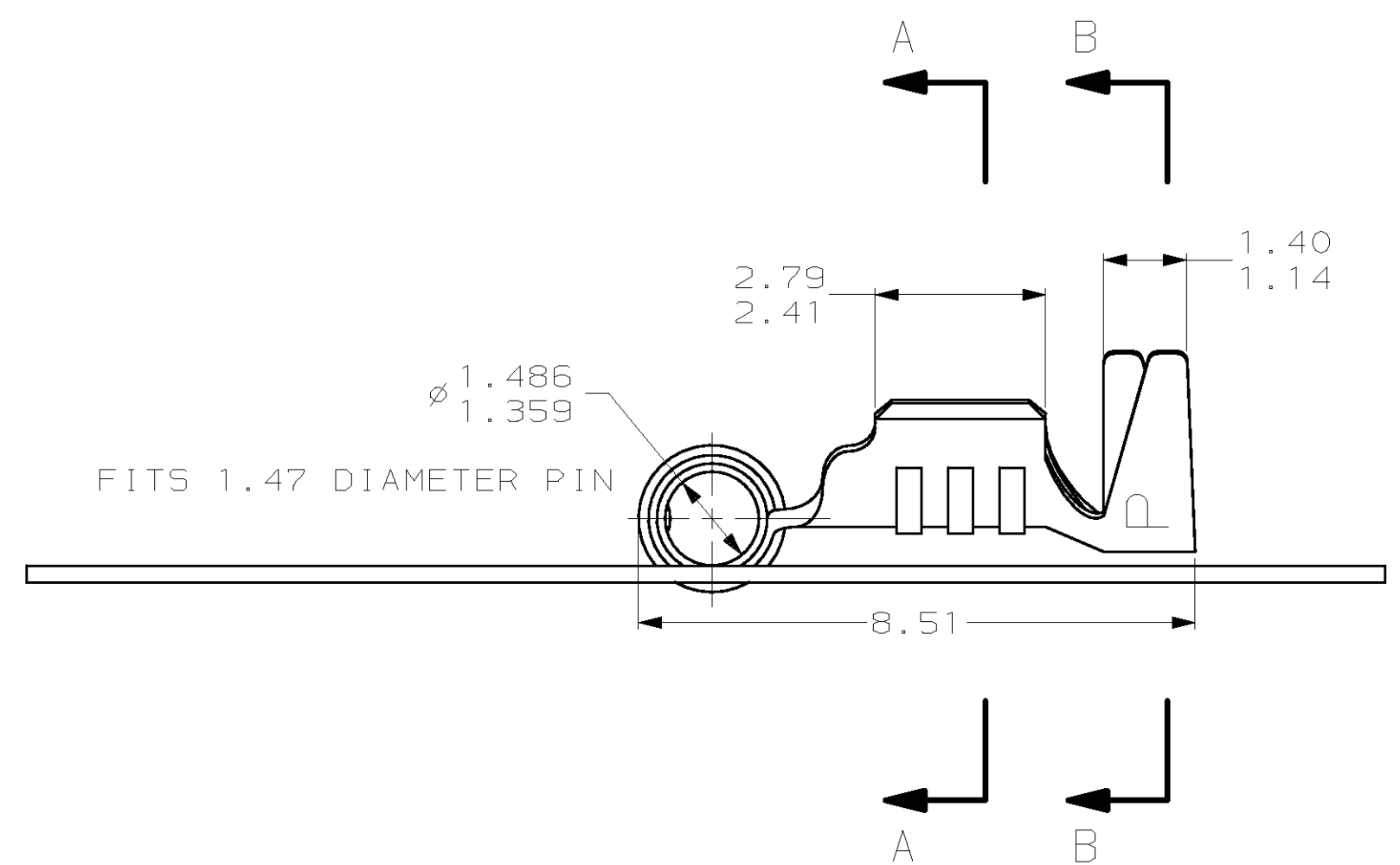


THIS DRAWING IS UNPUBLISHED. RELEASED FOR PUBLICATION
 (C) COPYRIGHT 19 BY AMP INCORPORATED. ALL RIGHTS RESERVED.

LOC	DIST	REVISIONS			
P	LTR	DESCRIPTION	DATE	DWN	APVD
CM	52	F	REV & REDWN PER EC 0L30-0125-97	6-2-97	TB RS



1. WIRE RANGE: 0.2 - 0.6 MM² (24 - 20 AWG)
2. INSULATION RANGE: 1.02 - 2.54



MATTE TIN FINISH	0.25 BE COPPER MATERIAL	61323-2 PART NUMBER
------------------	-------------------------	---------------------

1.40	.055	2.41	.095	4.11	.162	-	-
1.359	.0535	2.29	.090	3.66	.144	-	-
1.14	.045	1.93	.076	3.28	.129	13.67	.538
1.02	.040	1.91	.075	3.07	.121	13.51	.532
0.25	.010	1.486	.0585	2.79	.110	8.51	.335
0.13	.005	1.47	.058	2.54	.100	4.27	.168
MM	IN	MM	IN	MM	IN	MM	IN

CONVERSION TABLE

METRIC

THIS DRAWING IS A CONTROLLED DOCUMENT.		DWN	T. BECK	5-22-97
DIMENSIONS: mm		CHK	R. SWING	5-22-97
TOLERANCES UNLESS OTHERWISE SPECIFIED:		APVD	A. BEDDICK	6-17-97
0 PLC ± 1 PLC ± 2 PLC ±0.13 3 PLC ± 4 PLC ± ANGLES ±		PRODUCT SPEC	AMP Incorporated Harrisburg, PA 17105-3608	
MATERIAL SEE TABLE		FINISH	RECEPTACLE, .058 DIAMETER, 24-20 AWG, .040-.100 INSULATION, RIGHT ANGLE, P.C. CONTACT	
SEE TABLE		WEIGHT	SIZE	CAGE CODE
SEE TABLE		CUSTOMER DRAWING	A2	00779
SCALE 10:1		SHEET 1 OF 1	DRAWING NO. 61323	
REV F		RESTRICTED TO		