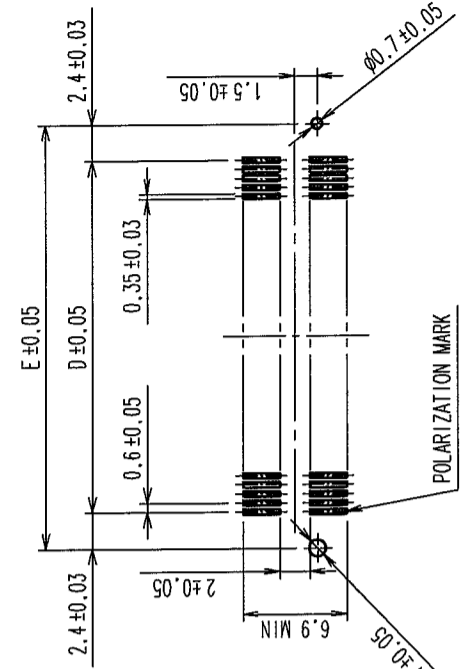


COUNT	DESCRIPTION OF REVISIONS	BY	CHKD	DATE	COUNT	DESCRIPTION OF REVISIONS	BY	CHKD	DATE
3	RE-F-09671	K.N	H.Y	10.04.08					

RECOMMENDED LAND PATTERN DIMENSION OF P.C.B. (MOUNTING SIDE)

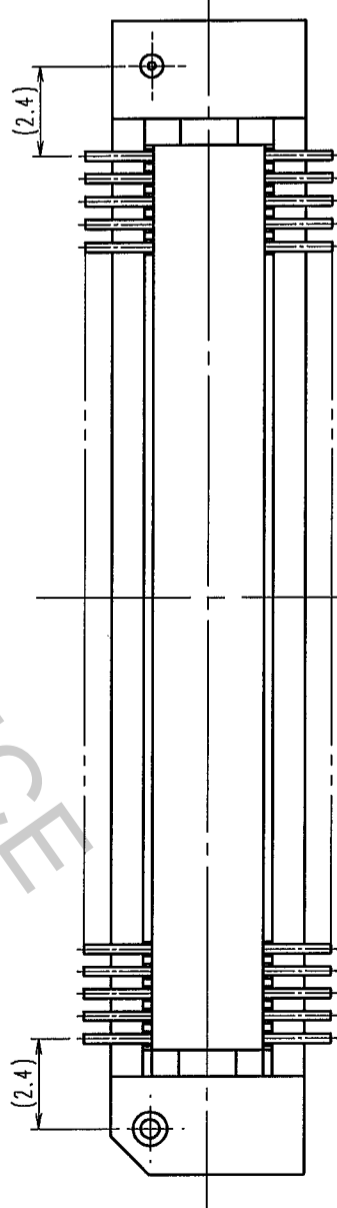
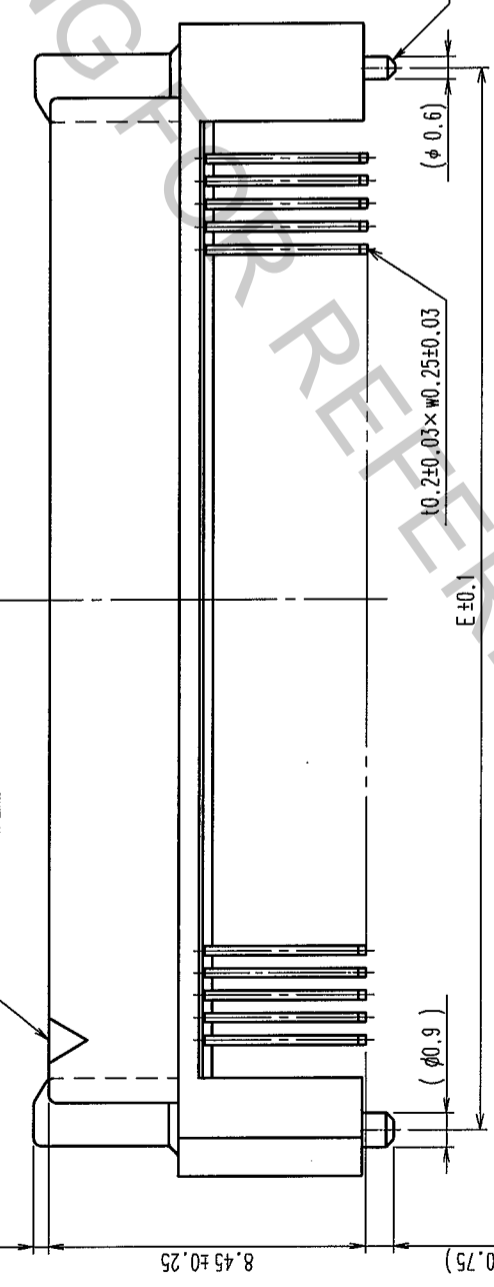
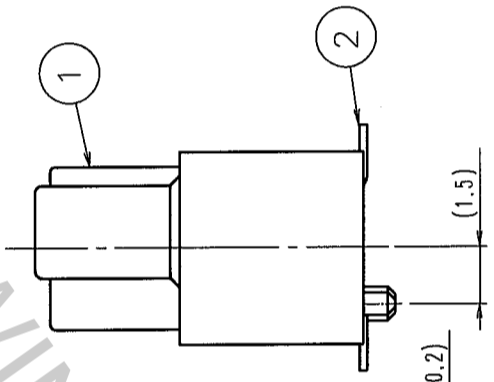


DIMENSION TABLE OF CONNECTOR AND P.C.B. LAND PATTERN.

PART No.	CODE No.	6	7	A	B	C	D	E
FX8C-60P-SV4(93)	CL578-0581-8-93	60	×	24.60	23.00	20.70	17.40	22.20
FX8C-80P-SV4(93)	CL578-0583-3-93	80	×	30.60	29.00	26.70	23.40	28.20
FX8C-100P-SV4(93)	CL578-0585-9-93	100	×	36.60	35.00	32.70	29.40	34.20
FX8C-120P-SV4(93)	CL578-0586-1-93	120	-	42.60	41.00	38.70	35.40	40.20
FX8C-140P-SV4(93)	CL578-0587-4-93	140	×	48.60	47.00	44.70	41.40	46.20

- NOTE 1. LEAD CO-PLANARITY SHALL BE 0.1mm MAX.  
 2. EMBOSSED CARRIER TAPE PACKAGING SHALL BE APPLIED TO THIS PRODUCT.  
 SEE NEXT PAGE FOR DETAILS.  
 3. THIS PRODUCT HAS TAPE FOR VACUUM PICKUP.  
 SEE NEXT PAGE FOR DETAIL OF STICKING POSITION, ETC.  
 4. FOR MODIFICATION, ETC. PREVENTIVE HOLE FOR SINK MARK MAY BE ADDED ACCORDING TO CIRCUMSTANCES.  
 5. THE DIMENSIONS IN PARENTHESES ARE FOR REFERENCE.

6 NUMBER OF CONTACTS.  
 7 EXISTENCE  
 × : PRODUCED, - : NO PRODUCED



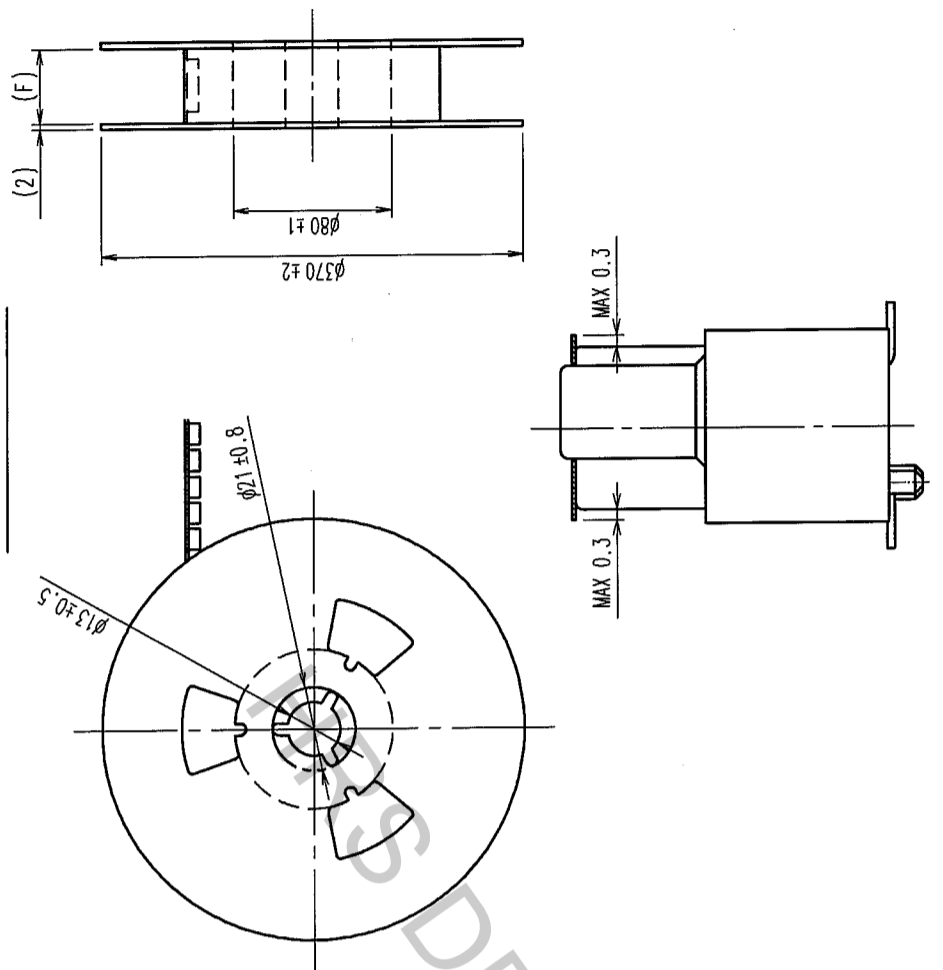
NO.	MATERIAL	FINISH, REMARKS	NO.	MATERIAL	DESIGNED	CHECKED	APPROVED	RELEASED
1	PPS	LIGHT BROWN (UL94V-0)	2	PHOSPHOR BRONZE	S. SUZUKI	H. OKAWA	Y. YOSHIMURA	
CODE NO. (OLD)		CL		DRAWN		FINISH, REMARKS		
SCALE		FREE		03.02.04		03.02.12		
UNITS		MM		PART NO.		FX8C-**-P-SV4(93)		
				DRAWING NO.		EDC3-151089-23		
				CODE NO.		CL578		

TO	
PCK	

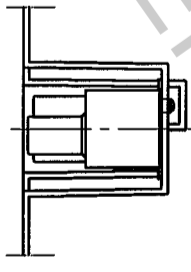
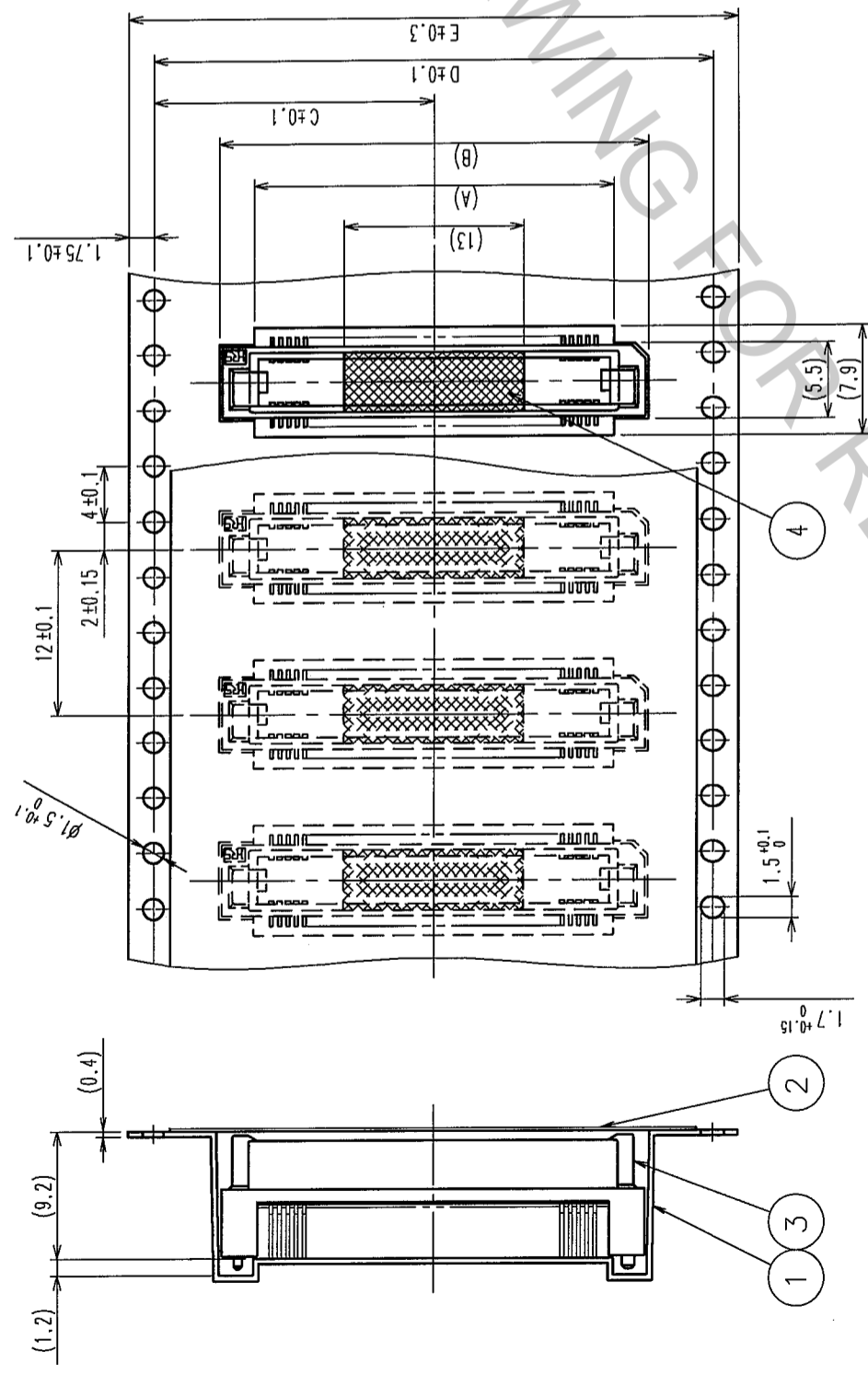
COUNT	DESCRIPTION OF REVISIONS	BY	CHKD	DATE	COUNT	DESCRIPTION OF REVISIONS	BY	CHKD	DATE

UNREELING DIRECTION  
↑

REEL DIMENSION



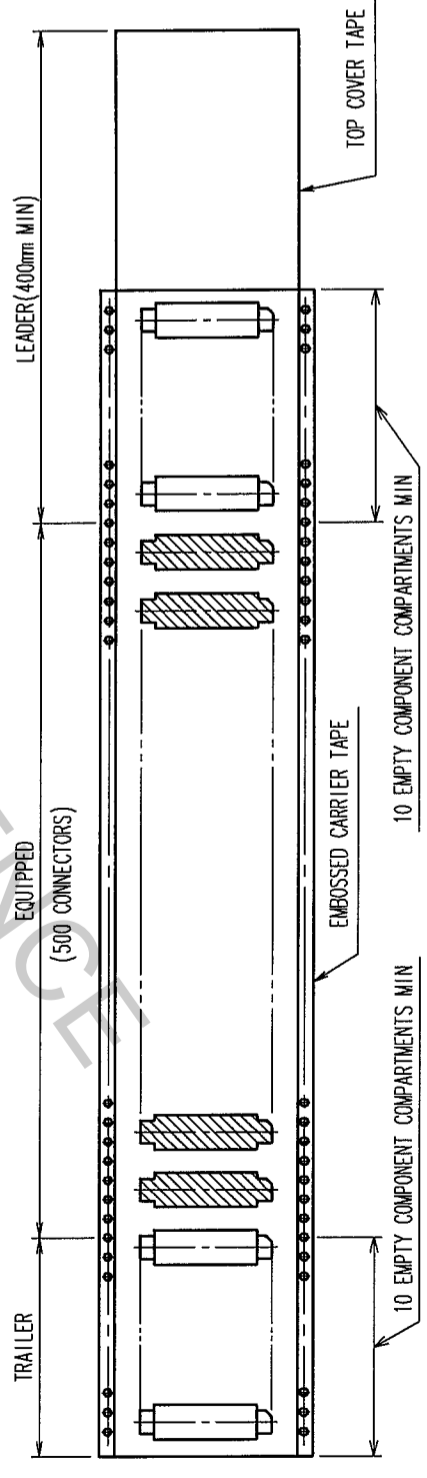
DETAIL OF TAPE FOR VACUUM PICKUP (5:1)



DETAIL OF TAPE FOR VACUUM PICKUP (5:1)

△ DIMENSION TABLE OF EMBOSSED CARRIER TAPE AND REEL.

PART No.	CODE No.	2	3	A	B	C	D	E	F
FX8C-60P-SV4(93)	CL578-0581-8-93	60	×	20	25	20.2	40.4	44	44.4
FX8C-80P-SV4(93)	CL578-0583-3-93	80	×	26	31	20.2	40.4	44	44.4
FX8C-100P-SV4(93)	CL578-0585-9-93	100	×	32	37	26.2	52.4	56	56.4
FX8C-120P-SV4(93)	CL578-0586-1-93	120	—	38	43	26.2	52.4	56	56.4
FX8C-140P-SV4(93)	CL578-0587-4-93	140	×	44	49	34.2	68.4	72	72.4



NOTE  
 1. 1 REEL : 500 CONNECTORS  
 2. NUMBER OF CONTACTS  
 3. EXISTENCE  
 X : PRODUCED, - : NO PRODUCED

NO.	MATERIAL	FINISH, REMARKS	NO.	MATERIAL	FINISH, REMARKS	NO.	MATERIAL	FINISH, REMARKS
2	POLYESTER	(TOP COVER TAPE)	4	POLYIMIDE	(TAPE FOR VACUUM PICKUP)			
1	PS	(EMBOSSED CARRIER TAPE)	3		(CONNECTOR)			

CODE NO. (OLD)	CL	DRAWN	DESIGNED	CHECKED	APPROVED	RELEASED
		S. SUZUKI	K. NAKAMURA	H. OKAWA	Y. YOSHIMURA	
		03.02.04	03.02.12	03.02.14	03.02.15	

DRAWING NO.	PART NO.
EDC3-151089-23	FX8C-**P-SV4(93)

SCALE	UNITS	CODE NO.
FREE	ITM	CL578

TO  
 PCK