

10091767 - X 0 C - X X X L F

6-COLUMN DIFFERENTIAL SIGNAL

LEAD-FREE DESIGNATION ONLY WITH APPLICABLE PLATING CODES

LETTER	PERFORMANCE-BASED PLATING (SEE NOTE 2)	
	TARGET APPLICATION	LEAD FREE (LF)
B	TELCORDIA CO	NO
C	TELCORDIA UE	NO
D	TELCORDIA CO	YES
E	TELCORDIA UE	YES

NUMBER	PIN STYLE, HEIGHT
0	STANDARD GUIDE PIN MACHINED, 31.6mm
4	STANDARD GUIDE PIN MACHINED, 25.7mm

MODULE DESCRIPTION	LETTER DESIGNATION REPRESENTED IN DASH NUMBER										BASE MODULE
	J	A	B	C	D	E	F	G	H		
LEFT POLARIZING GUIDANCE MODULE (SEE SHEET 3)											
RIGHT POLARIZING GUIDANCE MODULE (SEE SHEET 4)											
OPEN MODULE (TWO WALL) (SEE SHEET 2)	0 (ZERO)										
LEFT WALL MODULE (SEE SHEET 5)	L										
RIGHT WALL MODULE (SEE SHEET 6)	M										
FOUR WALL MODULE (SEE SHEET 7)	1										

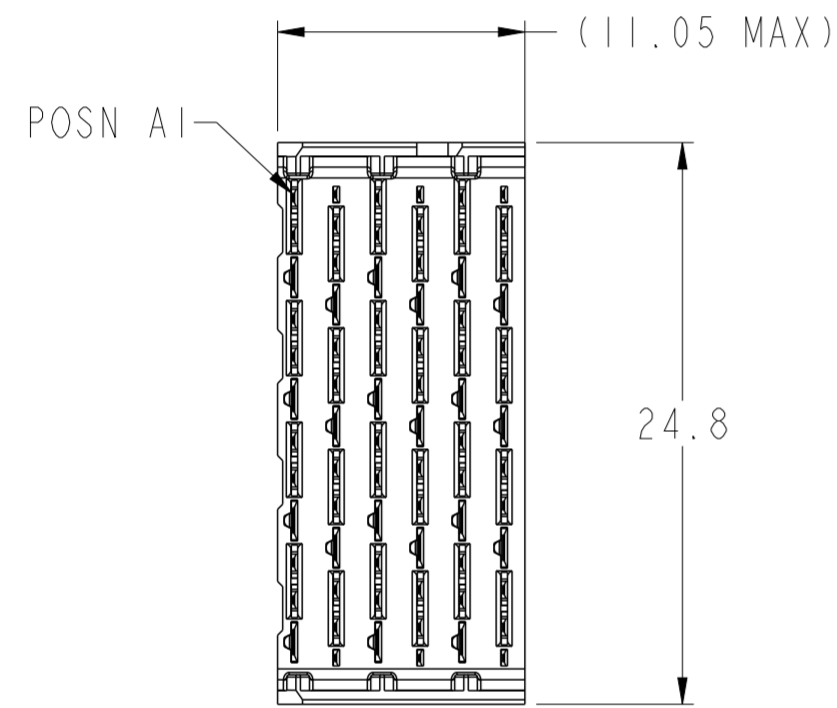
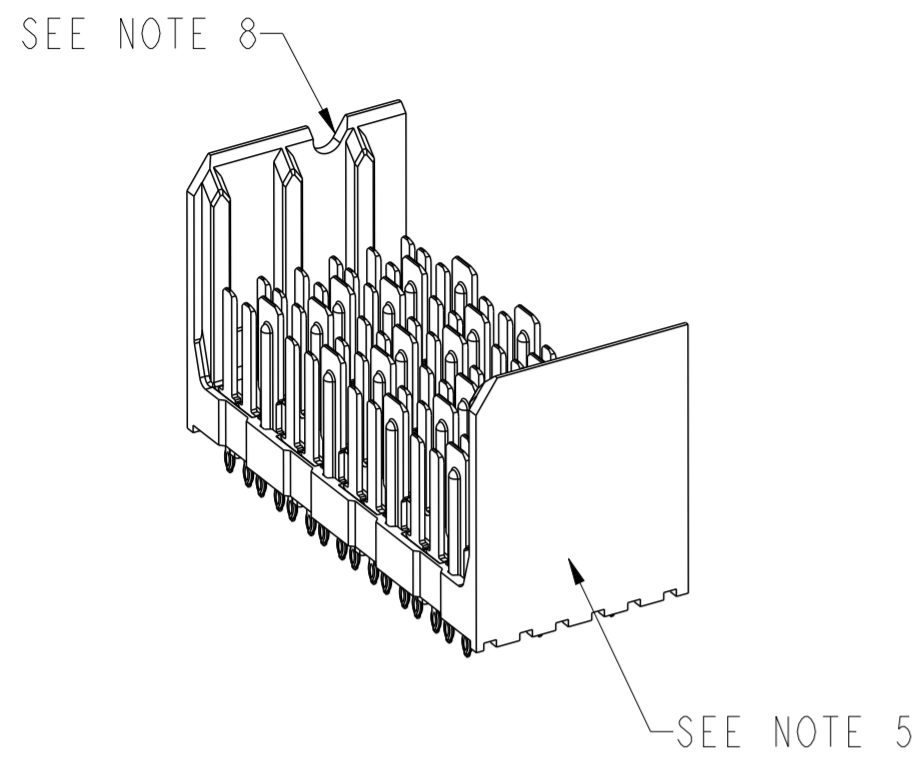
NUMBER	CONTACT MATING WIPE LENGTH		COMPLIANT PIN DRILL SIZE
	SIGNAL	WIDE GROUND	
1	2	4	Ø0.55 [0.0217"]
2	3	4	Ø0.55 [0.0217"]
3	2	4	Ø0.45 [0.0177"]
4	3	4	Ø0.45 [0.0177"]
5	2	3	Ø0.55 [0.0217"]
6	3	3	Ø0.55 [0.0217"]
7	2	3	Ø0.45 [0.0177"]
8	3	3	Ø0.45 [0.0177"]

	GROUNDED	UNGROUNDED
FINISHED	Ø2.35-2.55	Ø2.35-2.55
PAD	Ø5.50	N/A
PLATED	YES	NO
DRILL (mm/in)	2.58 / .1015	2.44 / .096

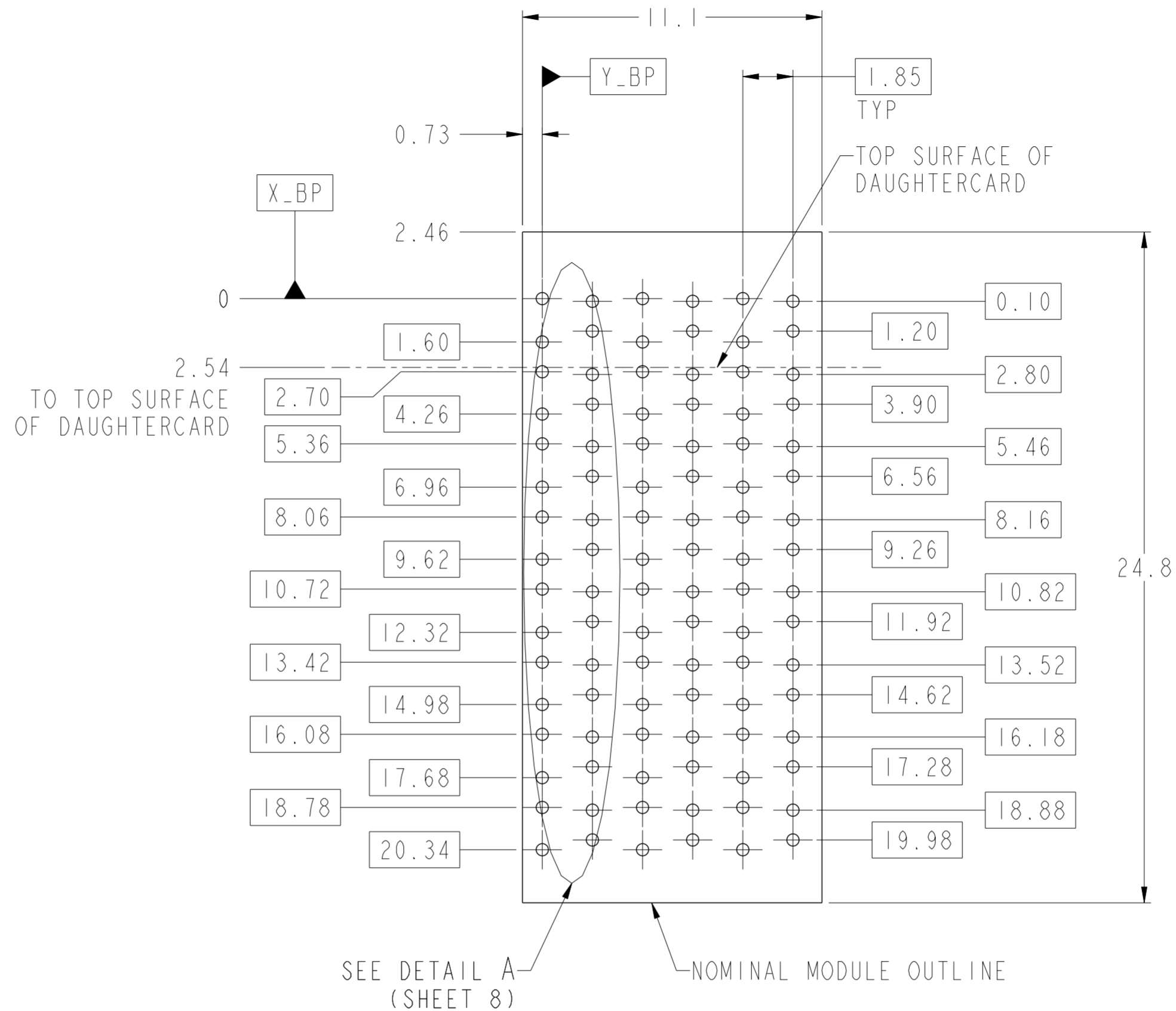
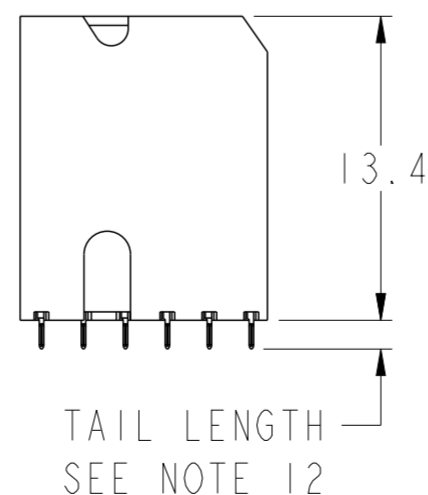
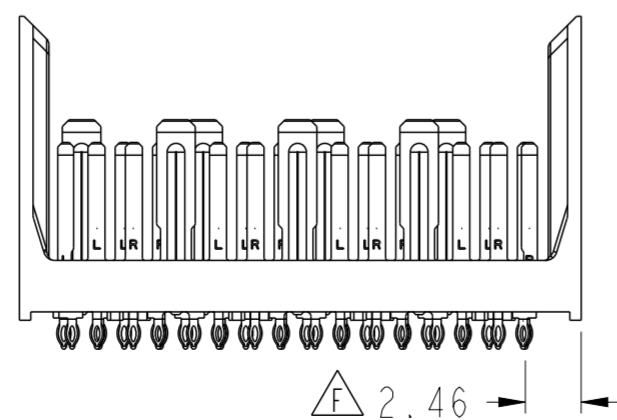
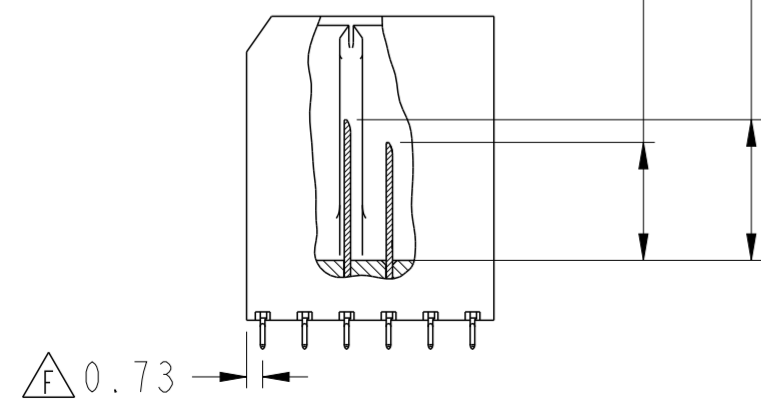
SCREW P/N	DESCRIPTION	BOARD THICKNESS
10091790-002LF	#2-56 X .375" PHILLIPS PANHEAD W/SQ CONICAL WASHER	1.60 - 5.00
10091790-003LF	#2-56 X .500" PHILLIPS PANHEAD W/SQ CONICAL WASHER	5.00 - 10.00

spec ref	SEE NOTES	dr	Jim Swain	2009/03/02	projection	MM	size	A2	scale	4:1
tolerance std	ASME Y14.5	eng	Sandar Soe	2015/06/29	chr		ecn no	ELX-S-21214-1	rel level	Released
surface	linear	0.X	±0.2	0.XX	±0.10	0.XXX	±0.050	angular	0°	±°
www.fci.com		cat. no.		SEE P/N TREE	Product - Customer Drw		sheet 1 of 8			

# OPEN (2-WALL) MODULE



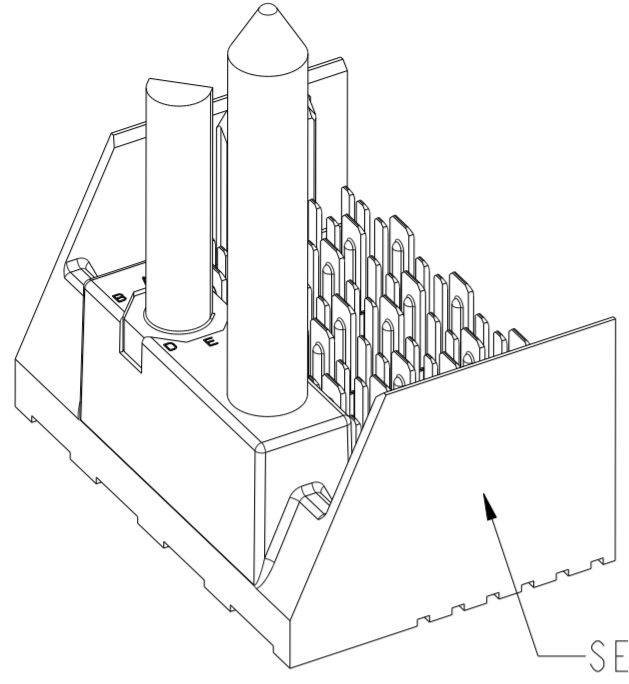
- 6.2 (4MM WIPE WIDE GROUNDS)
- 5.2 (3MM WIPE WIDE GROUNDS)
- 5.2 (3MM SMALL END GROUNDS)
- 5.2 (3MM WIPE SIGNALS)
- 4.2 (2MM WIPE SIGNALS)
- SEE P/N TREE



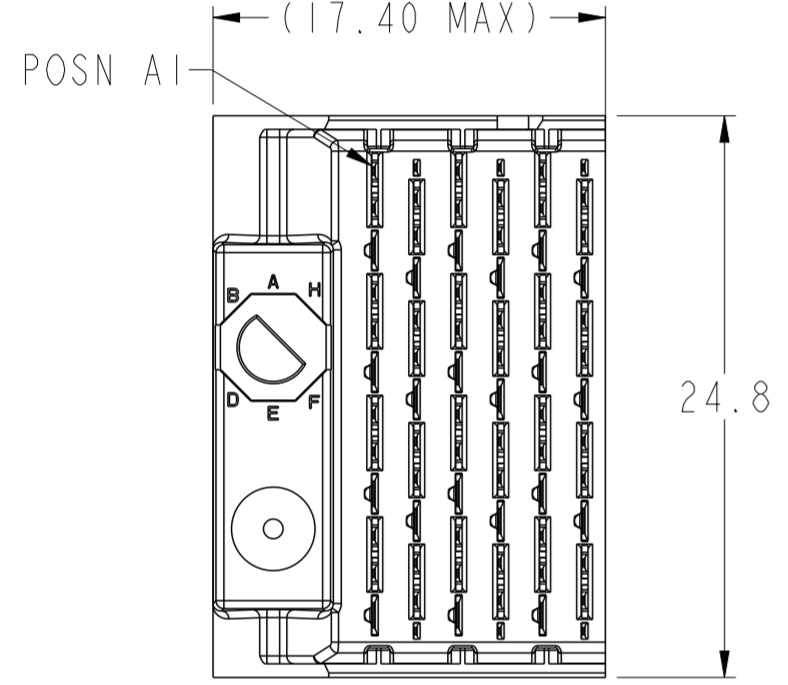
PCB HOLE PATTERN  
COMPONENT SIDE  
SCALE 6:1

spec ref	SEE NOTES	dr	Jim Swain	2009/03/02	projection	MM	size	A2	scale	4:1
tolerance std	ASME Y14.5	eng	Sandar Soe	2015/06/29			ecn no	ELX-S-21214-1	rel level	Released
surface	✓	chr	-	appr						
linear	0.X ±0.2 0.XX ±0.10 0.XXX ±0.050	angular	0° ±°			<b>MODULE ASSEMBLY</b> VERTICAL HEADER, 6-COLUMN, 4-PAIR	dwg no 10091767	rev F		
ASME Y14.5		www.fci.com		cat. no.	SEE P/N TREE	Product - Customer Drw	sheet 2 of 8			

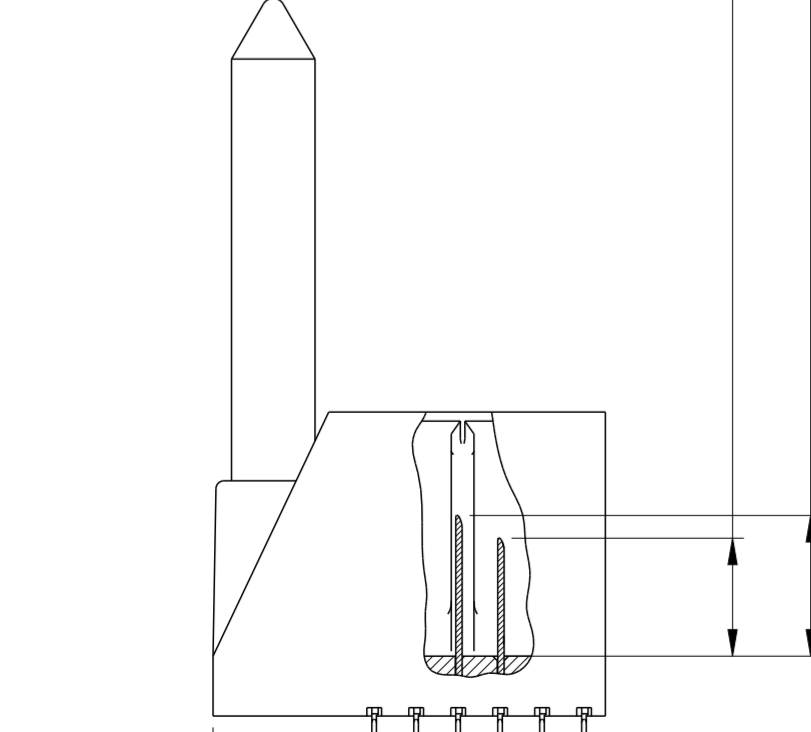
# LEFT POLARIZING/GUIDE MODULE



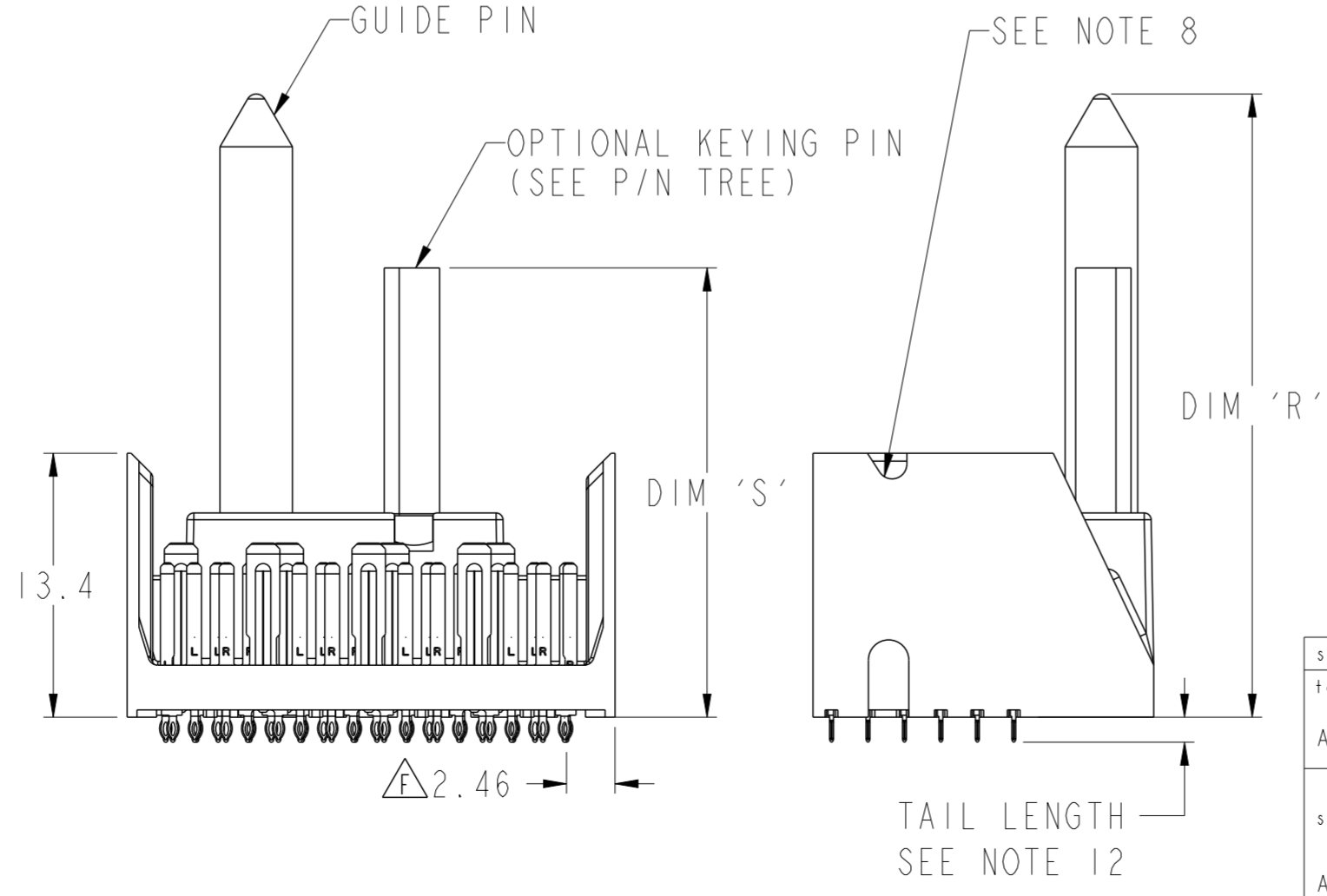
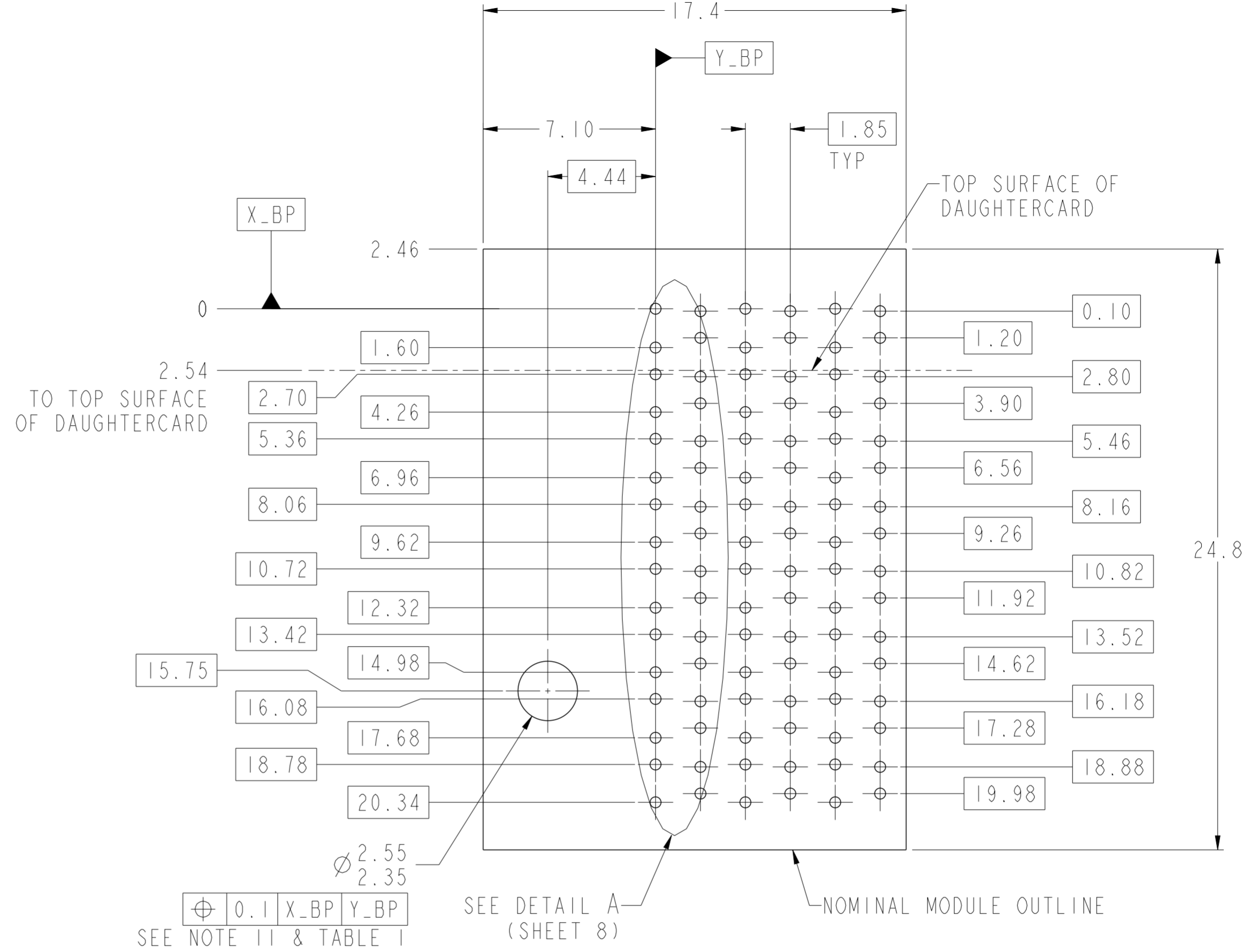
SEE NOTE 5



- 6.2 (4MM WIPE WIDE GROUNDS)
  - 5.2 (3MM WIPE WIDE GROUNDS)
  - 5.2 (3MM SMALL END GROUNDS)
  - 5.2 (3MM WIPE SIGNALS)
  - 4.2 (2MM WIPE SIGNALS)
- SEE P/N TREE



7.10

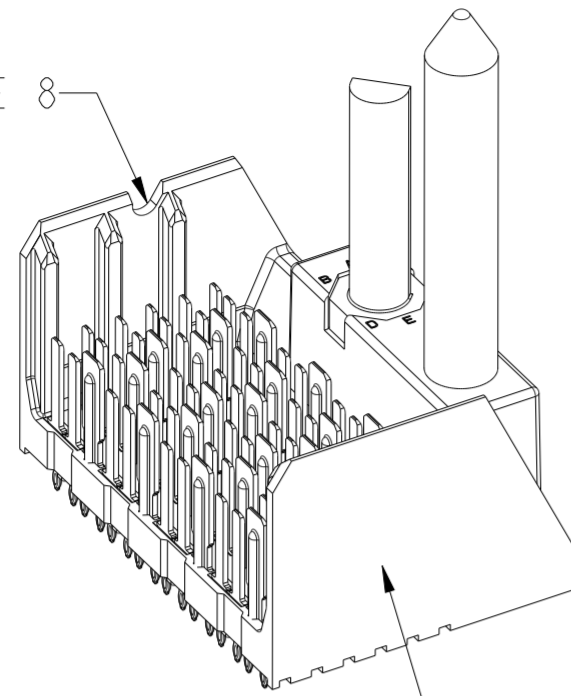


ASSEMBLY BASE CONFIGURATION END DASH NO.	GUIDE PIN	POLARIZING KEY
	DIM 'R'	DIM 'S'
-X0X	31.6mm	22.8mm
-X4X	25.7mm	20.0mm

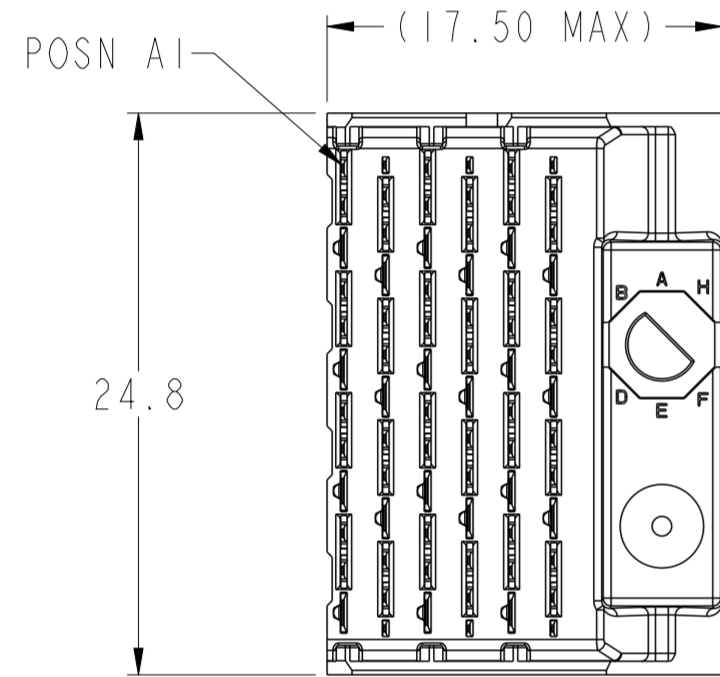
spec ref	SEE NOTES	dr	Jim Swain	2009/03/02	projection	MM	size	A2	scale	4:1
tolerance std	ASME Y14.5	eng	Sandar Soe	2015/06/29	chr	-	ecn no	ELX-S-21214-1	rel level	Released
surface	✓	appr	Chen-Hong Tan	2015/09/30	product family	XCede	rel level	Released	rev	F
linear	0.X ±0.2 0.XX ±0.10 0.XXX ±0.050	angular	0° ±	www.fci.com	cat. no.	SEE P/N TREE	Product - Customer Drw	sheet 3 of 8	10091767	

# RIGHT POLARIZING/GUIDE MODULE

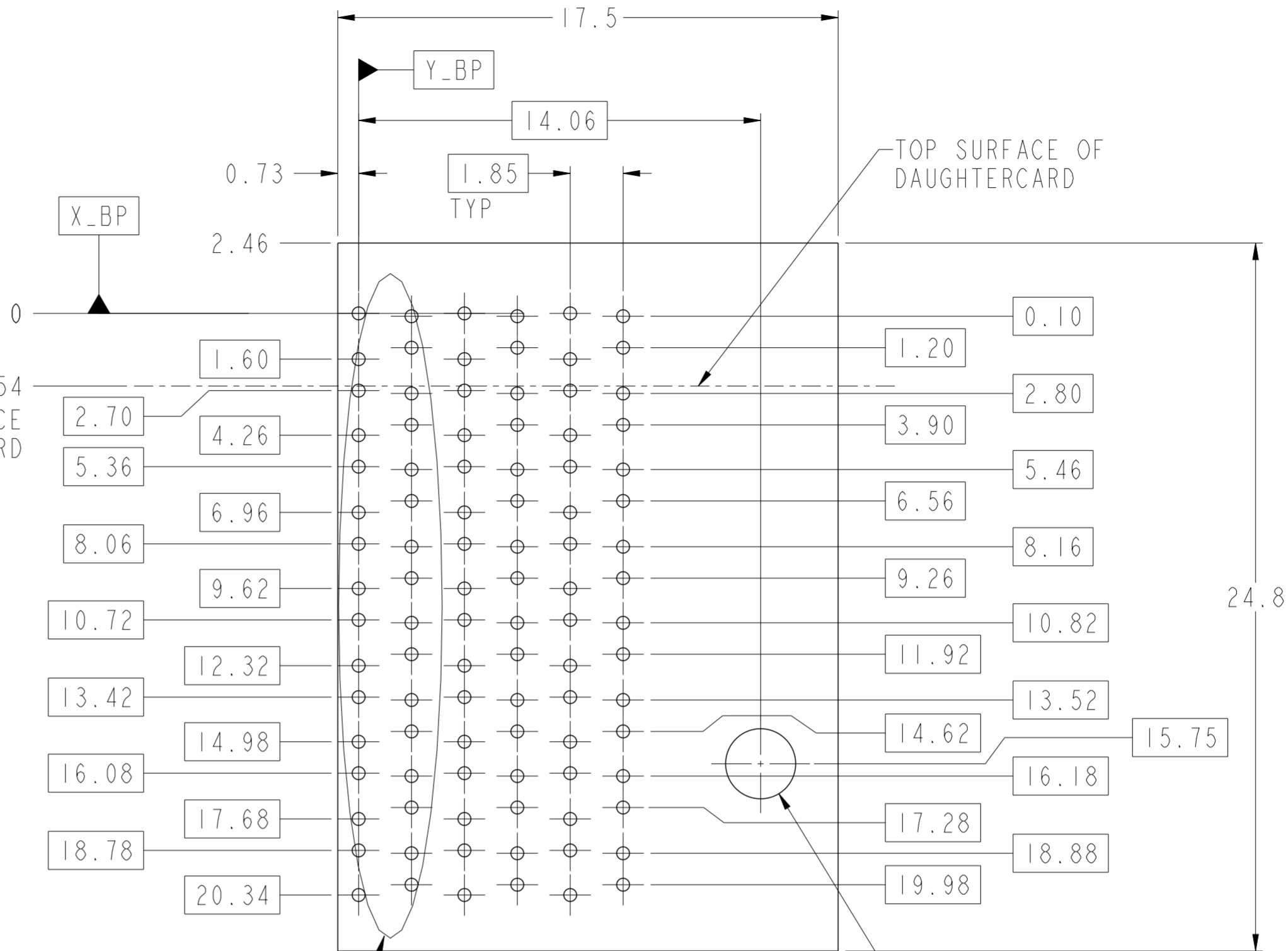
SEE NOTE 8



SEE NOTE 5



2.54  
TO TOP SURFACE  
OF DAUGHTERCARD



SEE DETAIL A  
(SHEET 8)

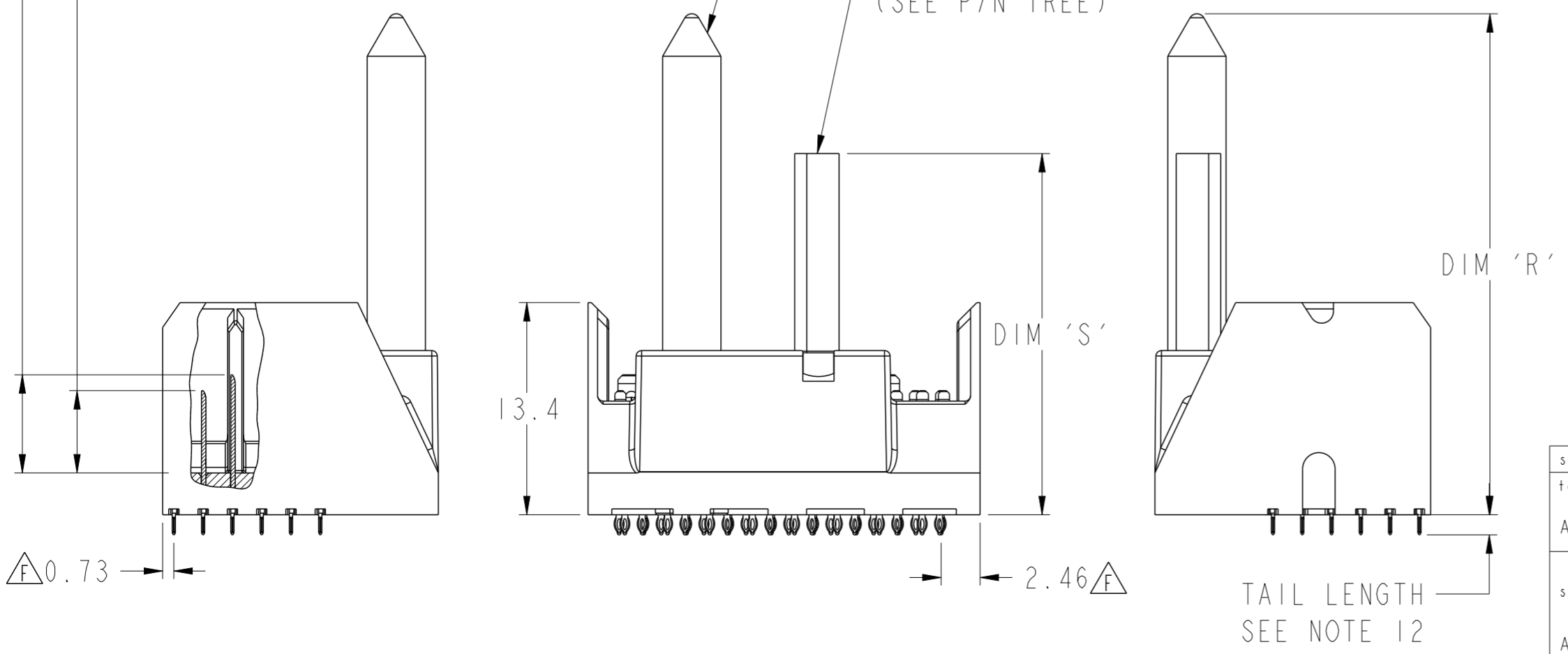
NOMINAL MODULE OUTLINE

PCB HOLE PATTERN  
COMPONENT SIDE  
SCALE 6:1

Ø 2.55  
2.35  
⊕ Ø 0.10 X\_BP Y\_BP  
SEE NOTE 11 & TABLE 1

- 6.2 (4MM WIPE WIDE GROUNDS)
- 5.2 (3MM WIPE WIDE GROUNDS)
- 5.2 (3MM SMALL END GROUNDS)
- 5.2 (3MM WIPE SIGNALS)
- 4.2 (2MM WIPE SIGNALS)
- SEE P/N TREE

GUIDE PIN  
OPTIONAL KEYING PIN  
(SEE P/N TREE)



ASSEMBLY BASE CONFIGURATION END DASH NO.	GUIDE PIN	POLARIZING KEY
	DIM 'R'	DIM 'S'
-X0X	31.6mm	22.8mm
-X4X	25.7mm	20.0mm

spec ref	SEE NOTES	dr	Jim Swain	2009/03/02	projection	MM	size	A2	scale	4:1
tolerance std	TOLERANCES UNLESS OTHERWISE SPECIFIED	eng	Sandar Soe	2015/06/29	chr		ecn no	ELX-S-21214-1		
ASME Y14.5		appr	Chen-Hong Tan	2015/09/30	product family	XCede	rel level	Released		
surface	linear	0.X	±0.2		<b>MODULE ASSEMBLY</b> VERTICAL HEADER, 6-COLUMN, 4-PAIR		dwg no	10091767	rev	F
		0.XX	±0.10		cat. no.	SEE P/N TREE	Product - Customer Drw	sheet 4 of 8		
ASME Y14.5	angular	0.0XX	±0.050							

PDS: Rev :F

STATUS:Released

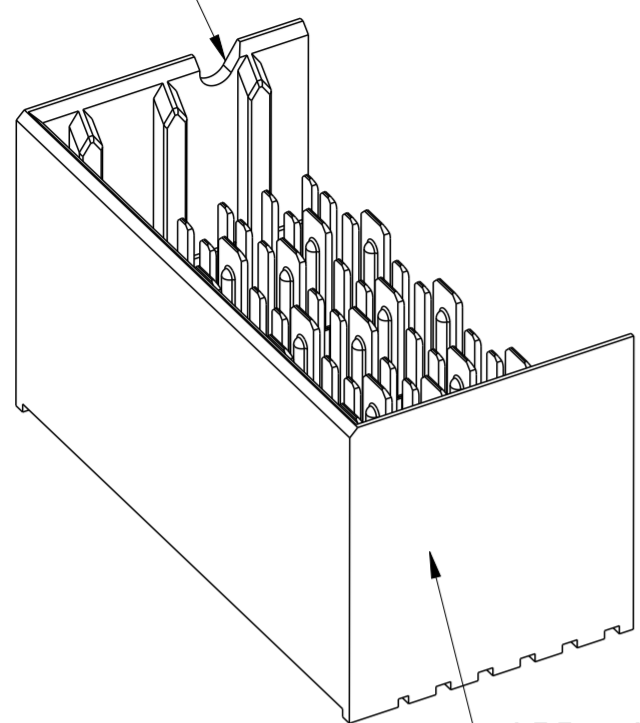
Printed: Sep 30, 2015

Copyright FCI. FCI

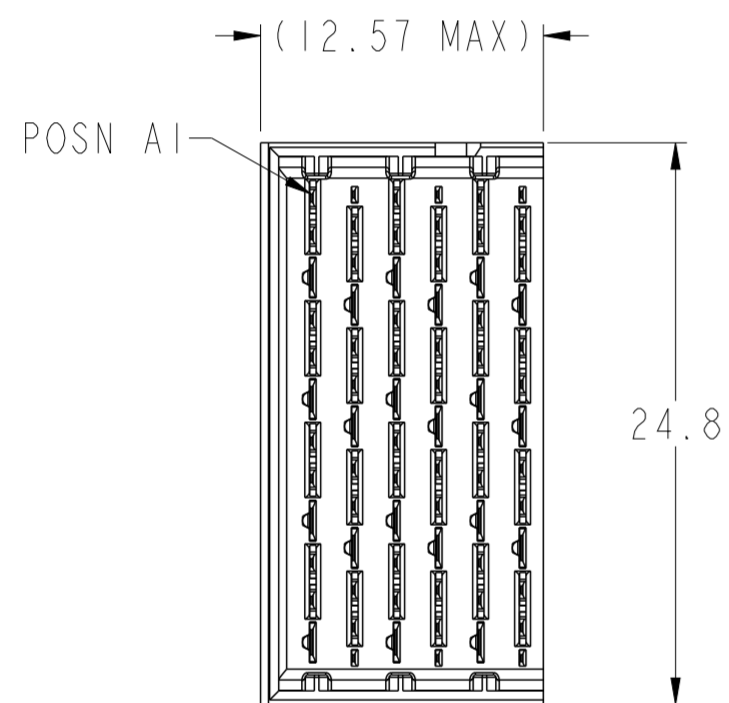


# LEFT WALL MODULE

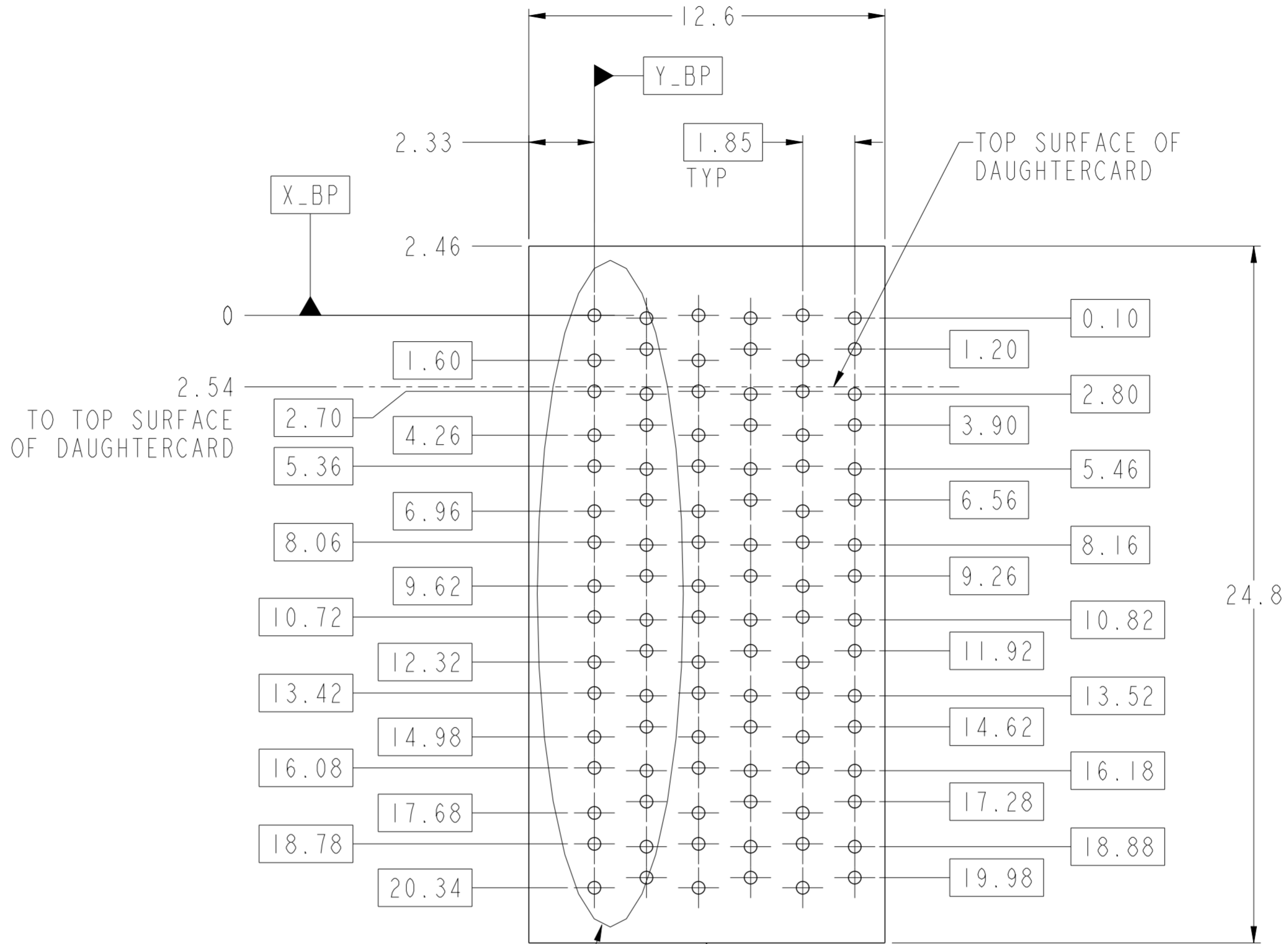
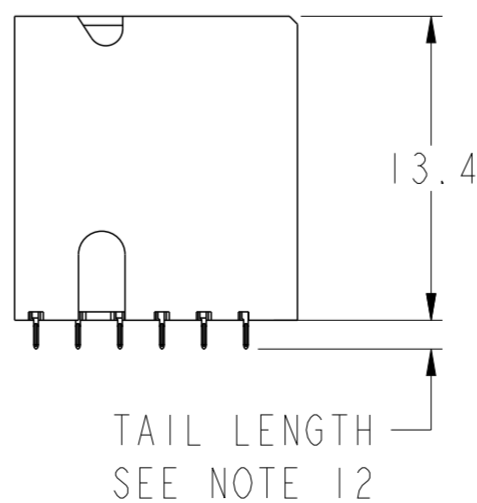
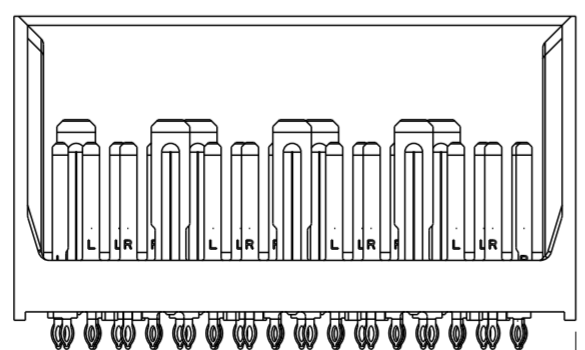
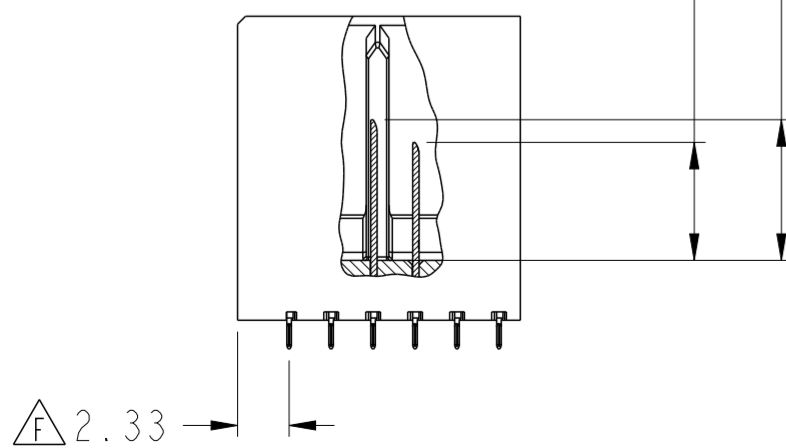
SEE NOTE 8



SEE NOTE 5



- 6.2 (4MM WIPE WIDE GROUNDS)
  - 5.2 (3MM WIPE WIDE GROUNDS)
  - 5.2 (3MM SMALL END GROUNDS)
  - 5.2 (3MM WIPE SIGNALS)
  - 4.2 (2MM WIPE SIGNALS)
- SEE P/N TREE



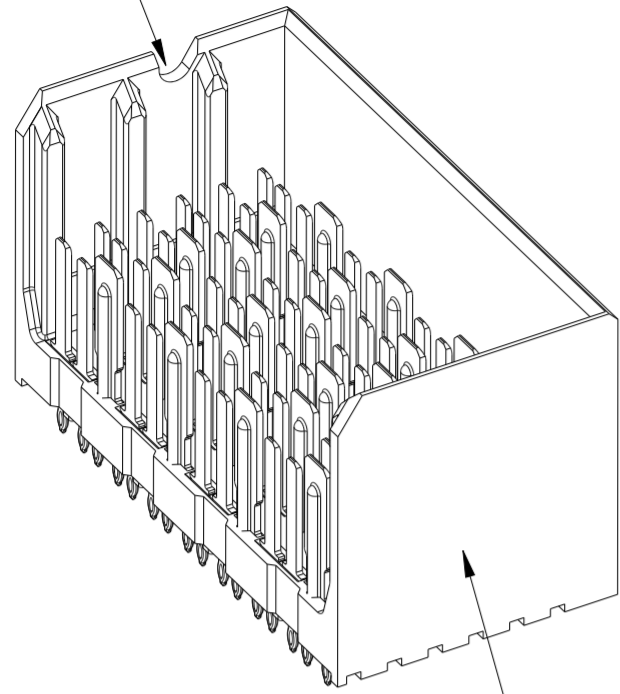
SEE DETAIL A (SHEET 8)

PCB HOLE PATTERN  
COMPONENT SIDE  
SCALE 6:1

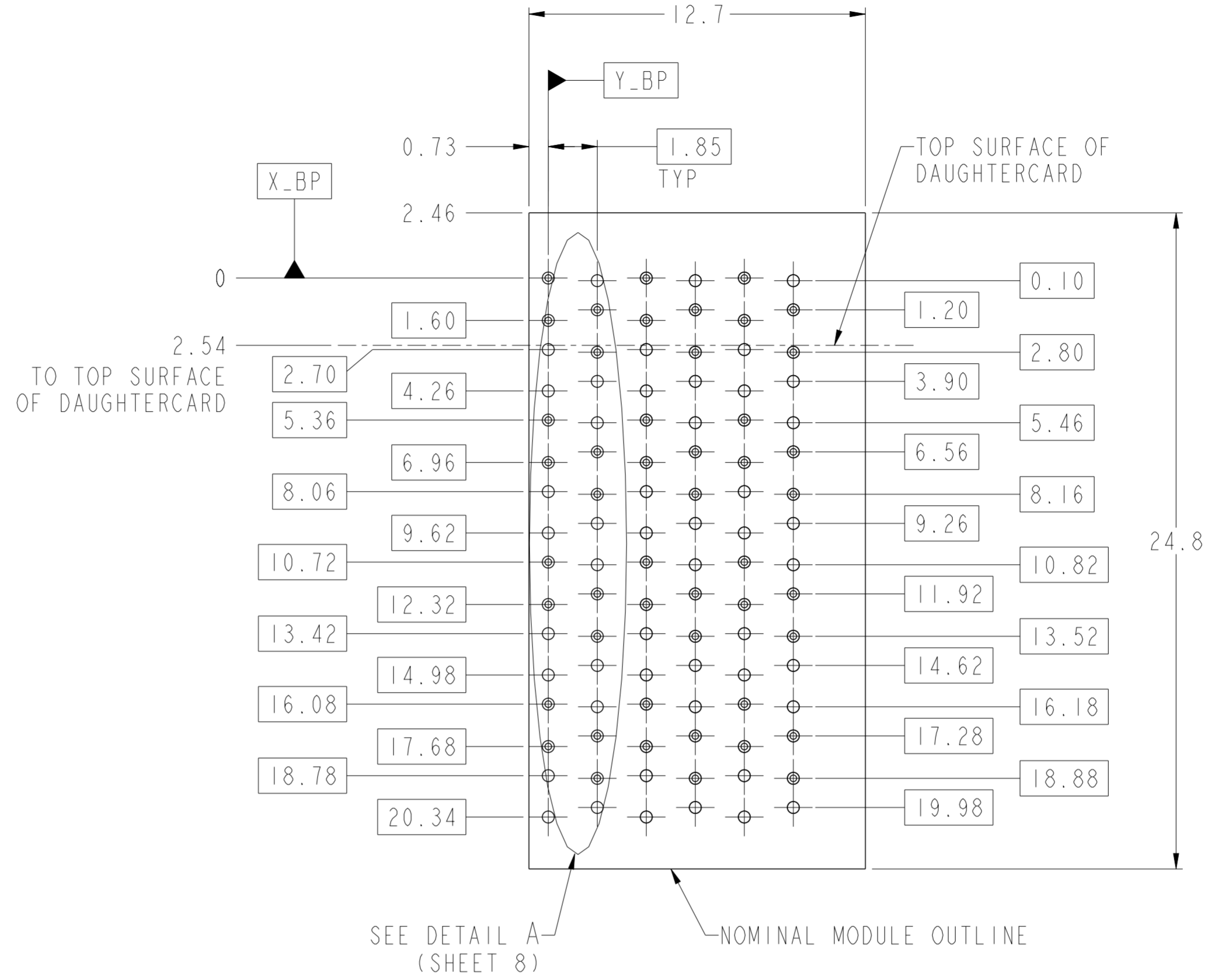
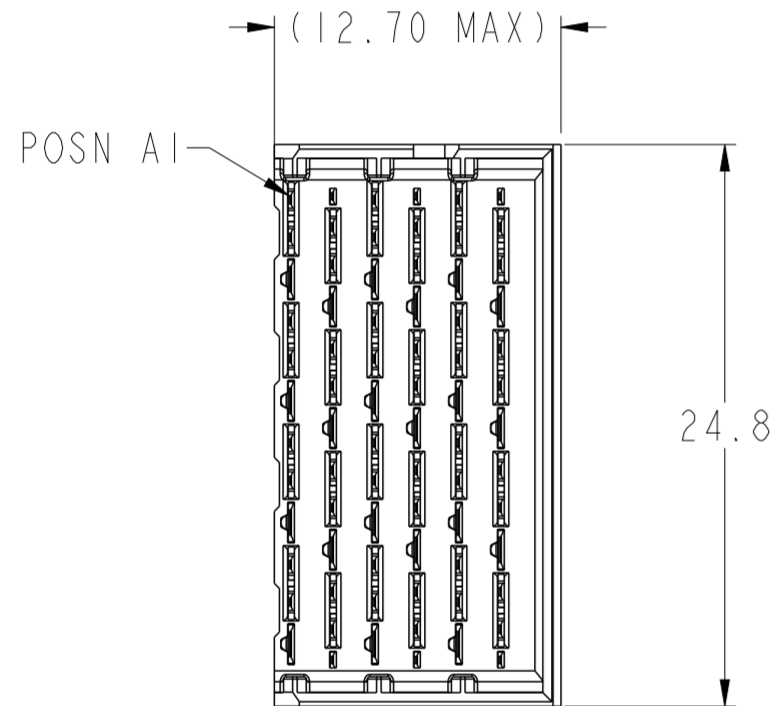
spec ref	SEE NOTES	dr	Jim Swain	2009/03/02	projection	MM	size	A2	scale	4:1									
tolerance std	TOLERANCES UNLESS OTHERWISE SPECIFIED	eng	Sandar Soe	2015/06/29			ecn no	ELX-S-21214-1	rel level	Released									
ASME Y14.5		chr	-	appr			Chen-Hong Tan	2015/09/30		product family	XCede								
surface	<table border="1"> <tr> <td>linear</td> <td>0.X</td> <td>±0.2</td> </tr> <tr> <td></td> <td>0.XX</td> <td>±0.10</td> </tr> <tr> <td></td> <td>0.XXX</td> <td>±0.050</td> </tr> <tr> <td>angular</td> <td>0°</td> <td>±°</td> </tr> </table>	linear	0.X	±0.2		0.XX	±0.10		0.XXX	±0.050	angular	0°	±°			<b>MODULE ASSEMBLY</b> VERTICAL HEADER, 6-COLUMN, 4-PAIR		dwg no 10091767	rev F
linear	0.X	±0.2																	
	0.XX	±0.10																	
	0.XXX	±0.050																	
angular	0°	±°																	
ASME Y14.5		www.fci.com	cat. no.	SEE P/N TREE	Product - Customer Drw	sheet 5 of 8													

# RIGHT WALL MODULE

SEE NOTE 8

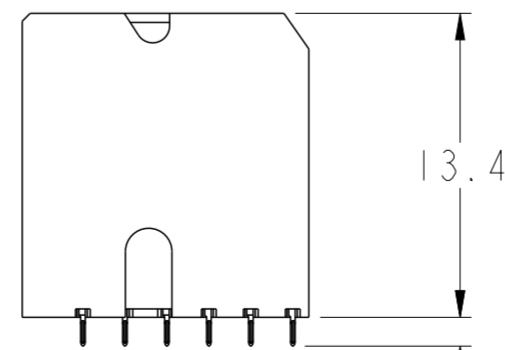
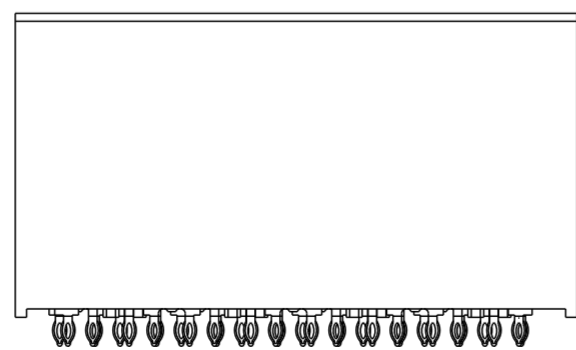
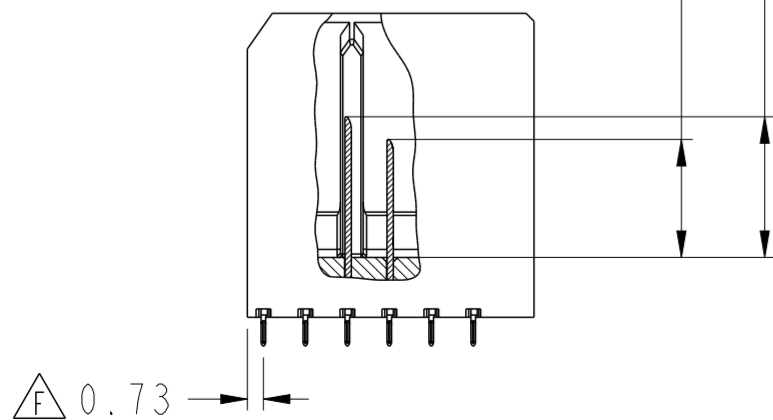


SEE NOTE 5



PCB HOLE PATTERN  
COMPONENT SIDE  
SCALE 6:1

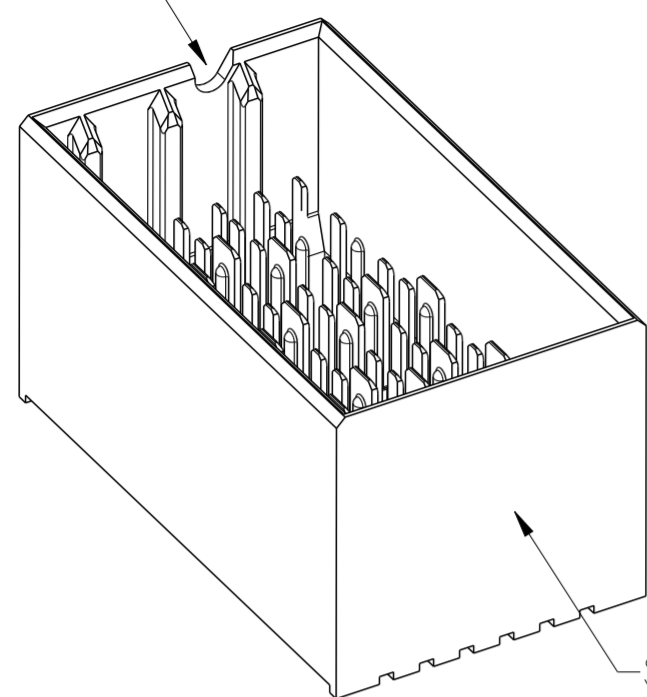
- 6.2 (4MM WIPE WIDE GROUNDS)
  - 5.2 (3MM WIPE WIDE GROUNDS)
  - 5.2 (3MM SMALL END GROUNDS)
  - 5.2 (3MM WIPE SIGNALS)
  - 4.2 (2MM WIPE SIGNALS)
- SEE P/N TREE



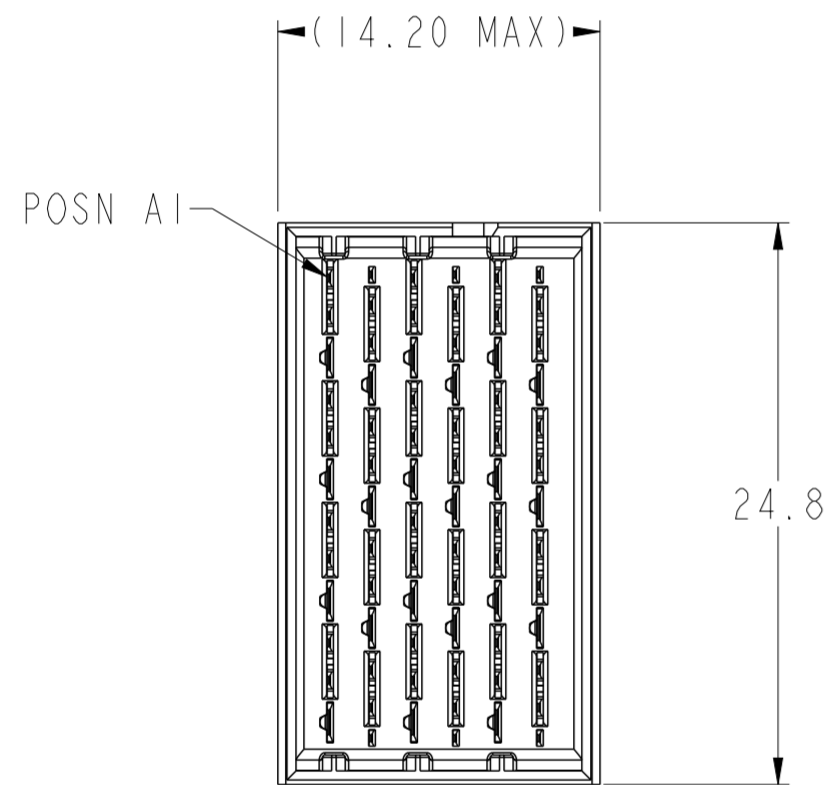
spec ref	SEE NOTES	dr	Jim Swain	2009/03/02	projection	MM	size	A2	scale	4:1	
tolerance std	ASME Y14.5	eng	Sandar Soe	2015/06/29			ecn no	ELX-S-21214-1			
TOLERANCES UNLESS OTHERWISE SPECIFIED		chr	-	rel level			Released				
surface	linear	appr	Chen-Hong Tan	2015/09/30	product family	XCede	rel level	Released			
ASME Y14.5	angular	0°	±°	0.X ±0.2			dwg no	10091767		rev	F
		0.XX ±0.10	0.XXX ±0.050	www.fci.com	cat. no.	SEE P/N TREE	Product - Customer Drw	sheet 6 of 8			

# 4-WALL MODULE

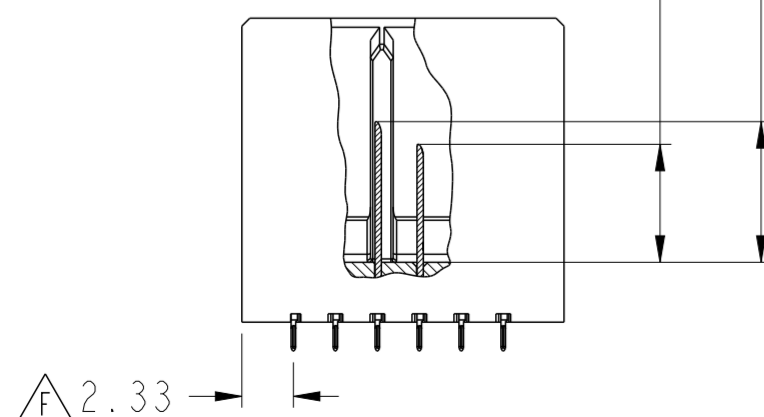
SEE NOTE 8



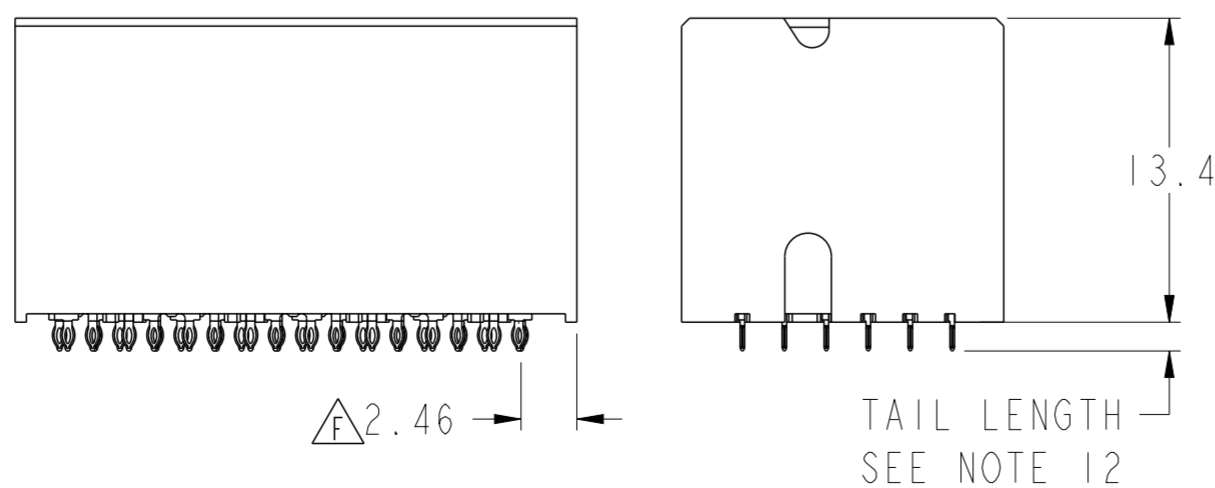
SEE NOTE 5



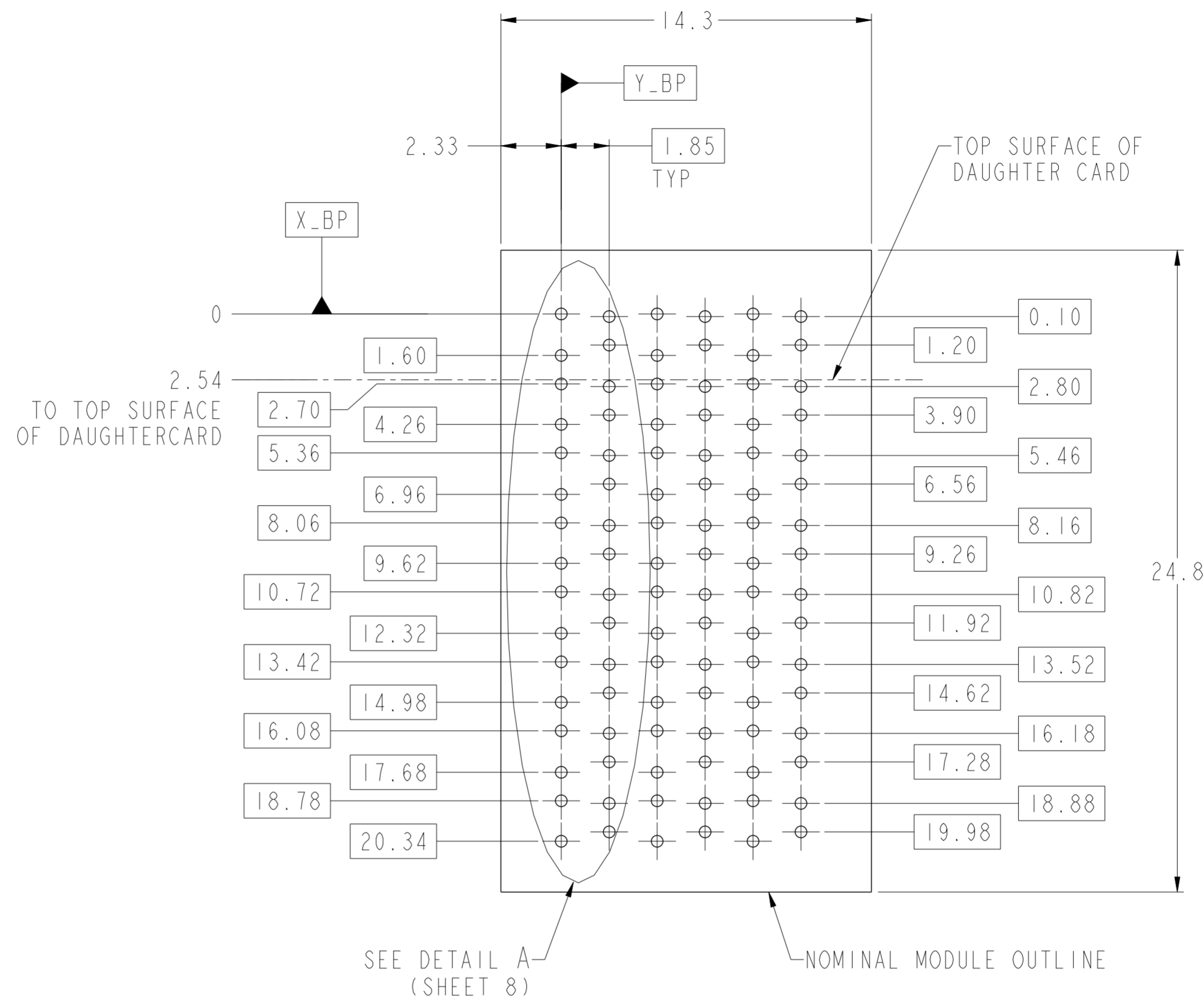
- 6.2 (4MM WIPE WIDE GROUNDS)
- 5.2 (3MM WIPE WIDE GROUNDS)
- 5.2 (3MM SMALL END GROUNDS)
- 5.2 (3MM WIPE SIGNALS)
- 4.2 (2MM WIPE SIGNALS)
- SEE P/N TREE



2.33



TAIL LENGTH  
SEE NOTE 12



spec ref	SEE NOTES	dr	Jim Swain	2009/03/02	projection	MM	size	A2	scale	3:1
tolerance std	ASME Y14.5	eng	Sandar Soe	2015/06/29	chr	-	ecn no	ELX-S-21214-1	rel level	Released
surface	✓	appr	Chen-Hong Tan	2015/09/30	product family	XCede	rel level	Released	rev	F
ASME Y14.5	linear	0.X	±0.2	0.XX	±0.10	0.XXX	±0.050	angular	0°	±°
TITLE		MODULE ASSEMBLY		VERTICAL HEADER, 6-COLUMN, 4-PAIR		cat. no.		SEE P/N TREE	Product - Customer Drw	sheet 7 of 8



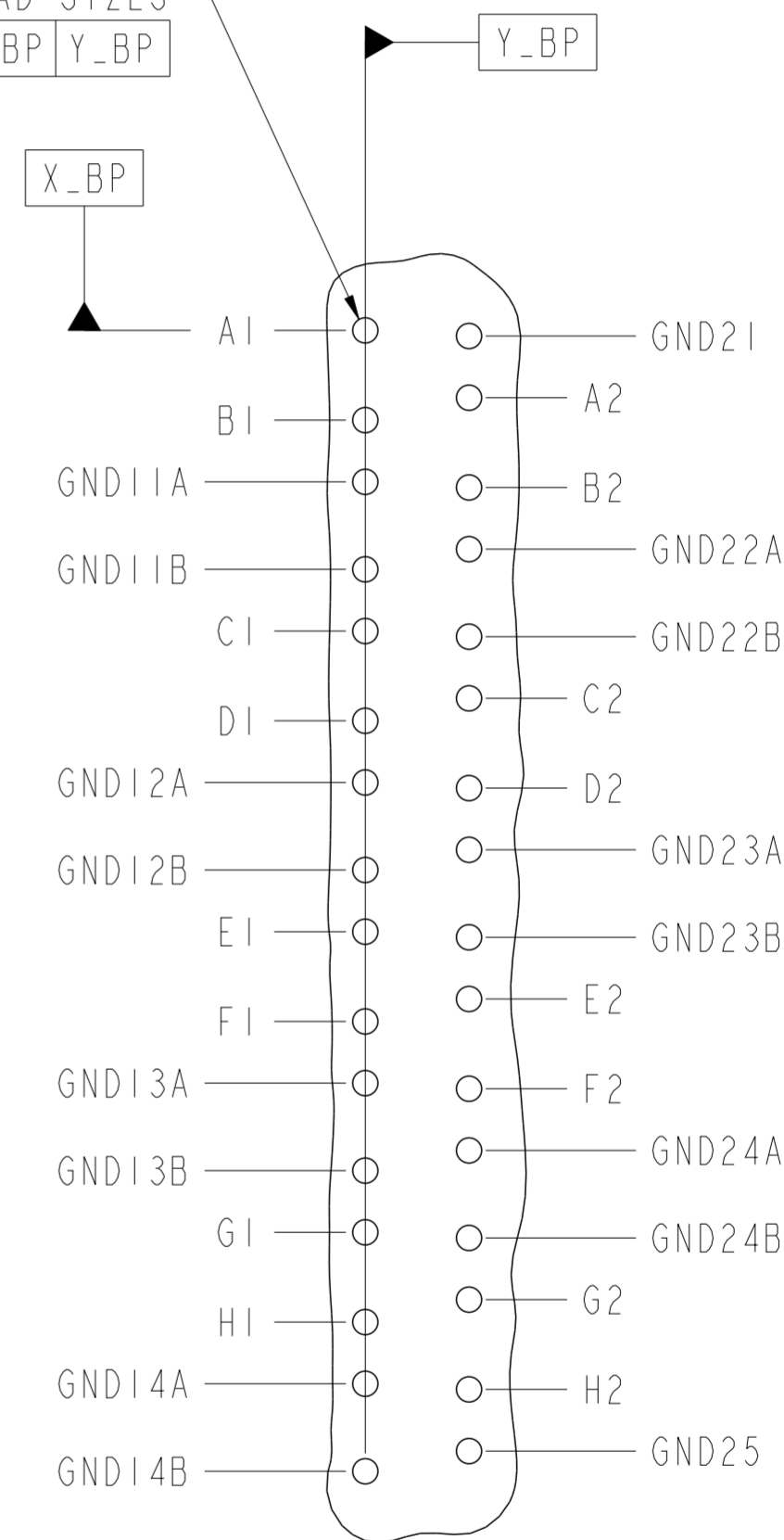
TABLE 3: PTH AND PAD SIZES WITH REFERENCE TO COMPLIANT PIN DRILL		
COMPLIANT PIN DRILL	PTH	PAD
Ø0.55 [0.0217"]	Ø0.45±0.05	Ø0.85
Ø0.45 [0.0177"]	Ø0.36±0.05	Ø0.75

NOTES:

- CONNECTOR MATERIALS  
SHROUD: HIGH-TEMP THERMOPLASTIC, GRAY, UL94V-0  
CONTACTS: HIGH PERFORMANCE COPPER ALLOY
- CONTACT PLATING:  
  
SEPARABLE INTERFACE: PERFORMANCE-BASED PLATING, QUALIFIED TO MEET THE REQUIREMENTS OF FCI PRODUCT SPECIFICATION GS-12-588, INCLUDING THE TELCORDIA GR-1217-CORE (NOVEMBER 1995) CENTRAL OFFICE (CO) OR UNCONTROLLED ENVIRONMENT (UE) TEST SEQUENCE AS NOTED IN P/N TREE.  
  
PRESS-FIT TAILS: TIN OVER NICKEL (LF), OR TIN-LEAD ALLOY OVER NICKEL (NON-LF). SEE P/N TREE.
- PRODUCT SPECIFICATION: GS-12-588
- APPLICATION SPECIFICATION: GS-20-121
- PRODUCT MARKING (PART NUMBER AND LOT CODE) ON THESE SURFACES.
- HOUSING MUST WITHSTAND EXPOSURE TO 260°C PEAK TEMPERATURE FOR 40 SECONDS IN A CONVECTION, INFRA-RED, OR VAPOR-PHASE REFLOW OVEN.
- PACKAGING MEETS GS-14-920 LEAD-FREE LABELING SPECIFICATION.
- NOTCH INDICATES "ROW A" SIDE OF CONNECTOR.
- SEE APPLICATION SPECIFICATION FOR ROUTING GUIDELINES, ADDITIONAL PTH GUIDELINES, MATED DIMENSIONS, GUIDE PN SELECTION, ETC.
- SCREW IS OPTIONAL AND ENGAGES WITH BOTTOM OF GUIDE-PIN FROM BENEATH THE PCB FOR ADDITIONAL GUIDE-PIN SUPPORT.
- OPTIONAL HOLE LOCATION FOR GROUNDED PIN OR ADDITIONAL GUIDE-PIN SUPPORT. SEE TABLE 1 ON SHEET 1 FOR ADDITIONAL DETAILS.
- TAIL LENGTH=1.3mm FOR Ø0.55[0.0217"]COMPLIANT PIN DRILL  
TAIL LENGTH=1.5mm FOR Ø0.45[0.0177"]COMPLIANT PIN DRILL
- A  $\triangle$  SYMBOL WILL BE NEXT TO ANY DIMENSION, VIEW OR NOTE THAT HAS BEEN MODIFIED WITH THE CURRENT DRAWING REVISION.

REFER TO TABLE 3 FOR PTH, DRILL & PAD SIZES

$\oplus$	Ø0.10	X_BP	Y_BP
----------	-------	------	------



DETAIL A  
SCALE 8:1

spec ref	SEE NOTES	dr	Jim Swain	2009/03/02	projection	MM	size	A2	scale	4:1					
tolerance std	TOLERANCES UNLESS OTHERWISE SPECIFIED	eng	Sandar Soe	2015/06/29	$\oplus$	←	ecn no	ELX-S-21214-1	rel level	Released					
ASME Y14.5		chr	-	app							Chen-Hong Tan	2015/09/30	product family	XCede	
surface	linear	0.X	±0.2	FCJ		MODULE ASSEMBLY		10091767		rev					
ASME Y14.5	angular	0.XX	±0.10								www.fci.com	cat. no.	SEE P/N TREE	Product - Customer Drw	sheet 8 of 8
		0.XXX	±0.050												
		0°	±°												