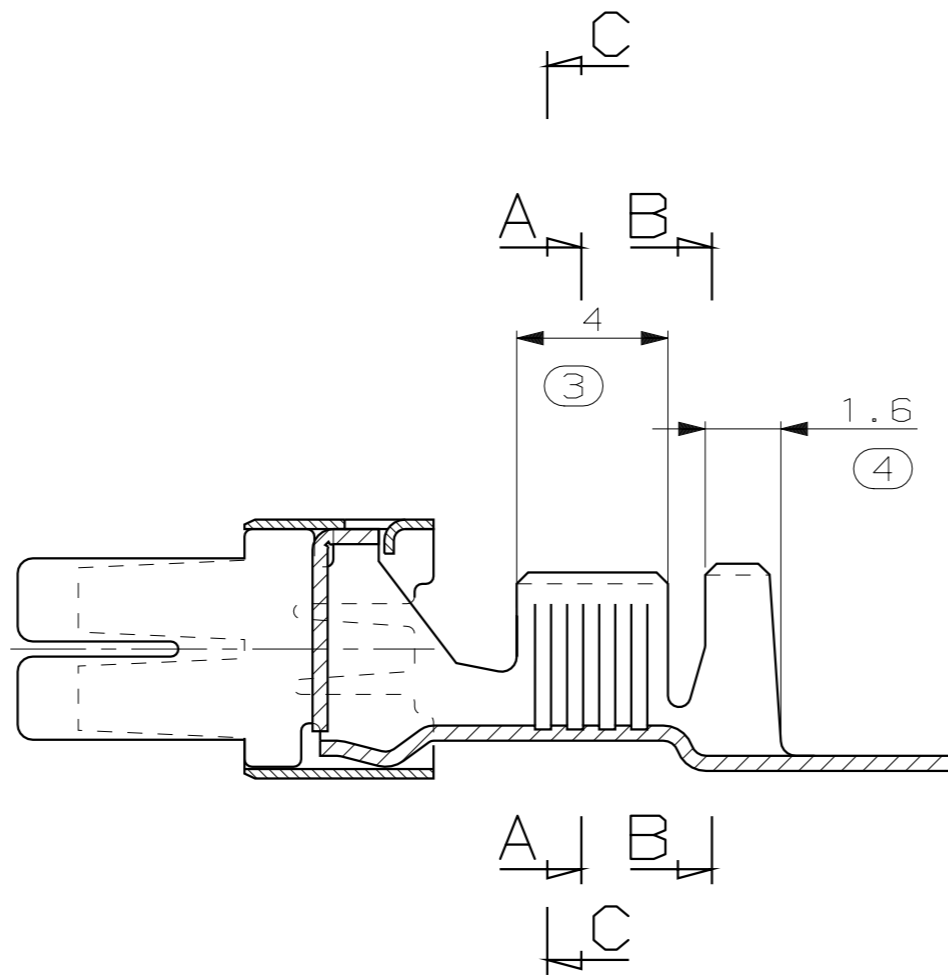


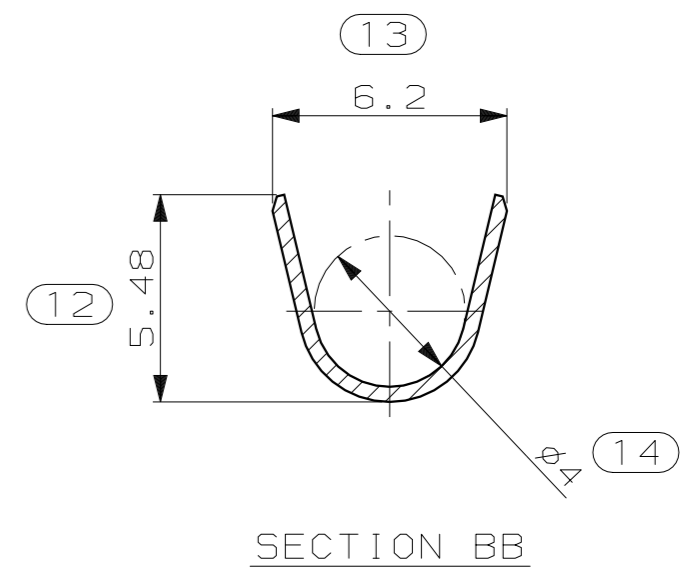
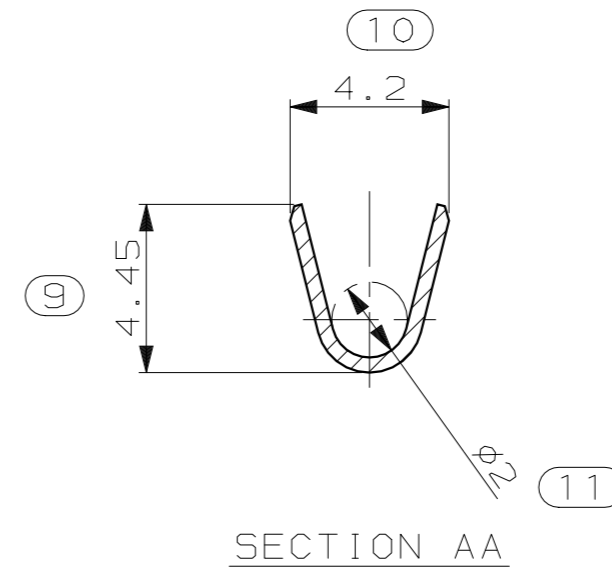
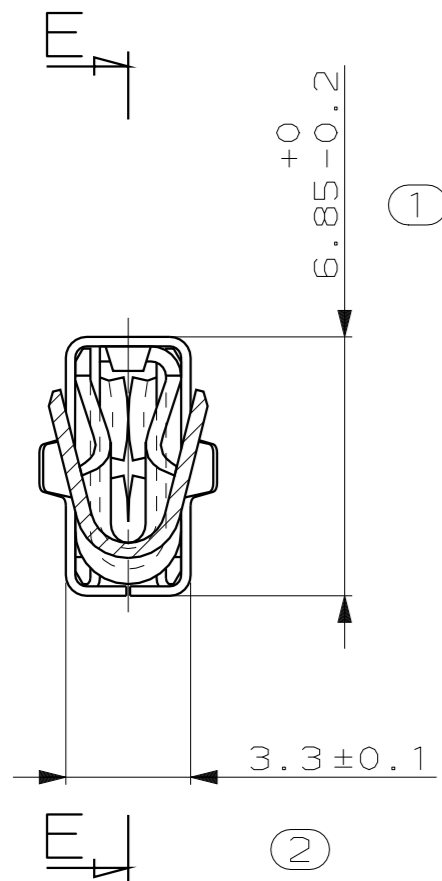
THIS DRAWING IS UNPUBLISHED.
 DIFFUSION RESEINTE AMP
 (C) COPYRIGHT 19 BY AMP INCORPORATED. ALL RIGHTS RESERVED.
 TOUS DROITS RESERVES.

LOC F		DIST 7		REVISIONS		
P	LTR REV	DESCRIPTION MODIFICATIONS	DATE	DWN DESS.	APVD APP.	
-	-					

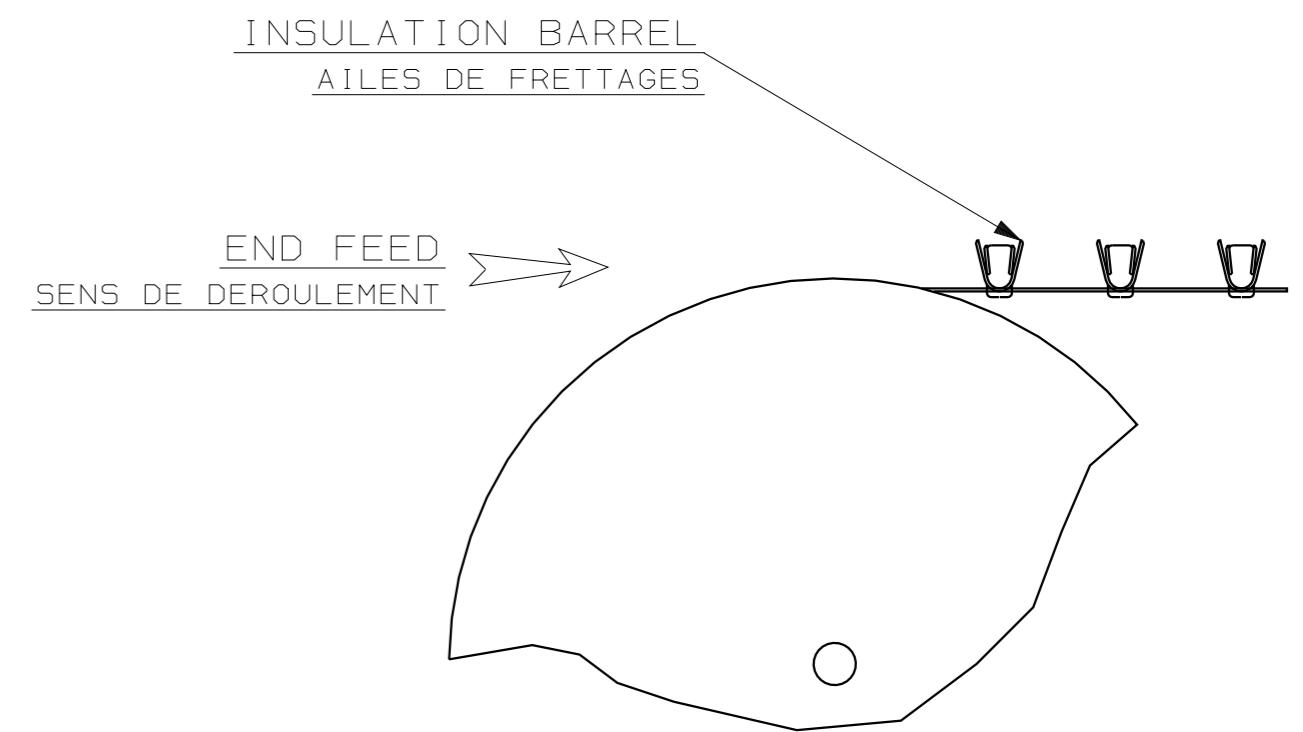
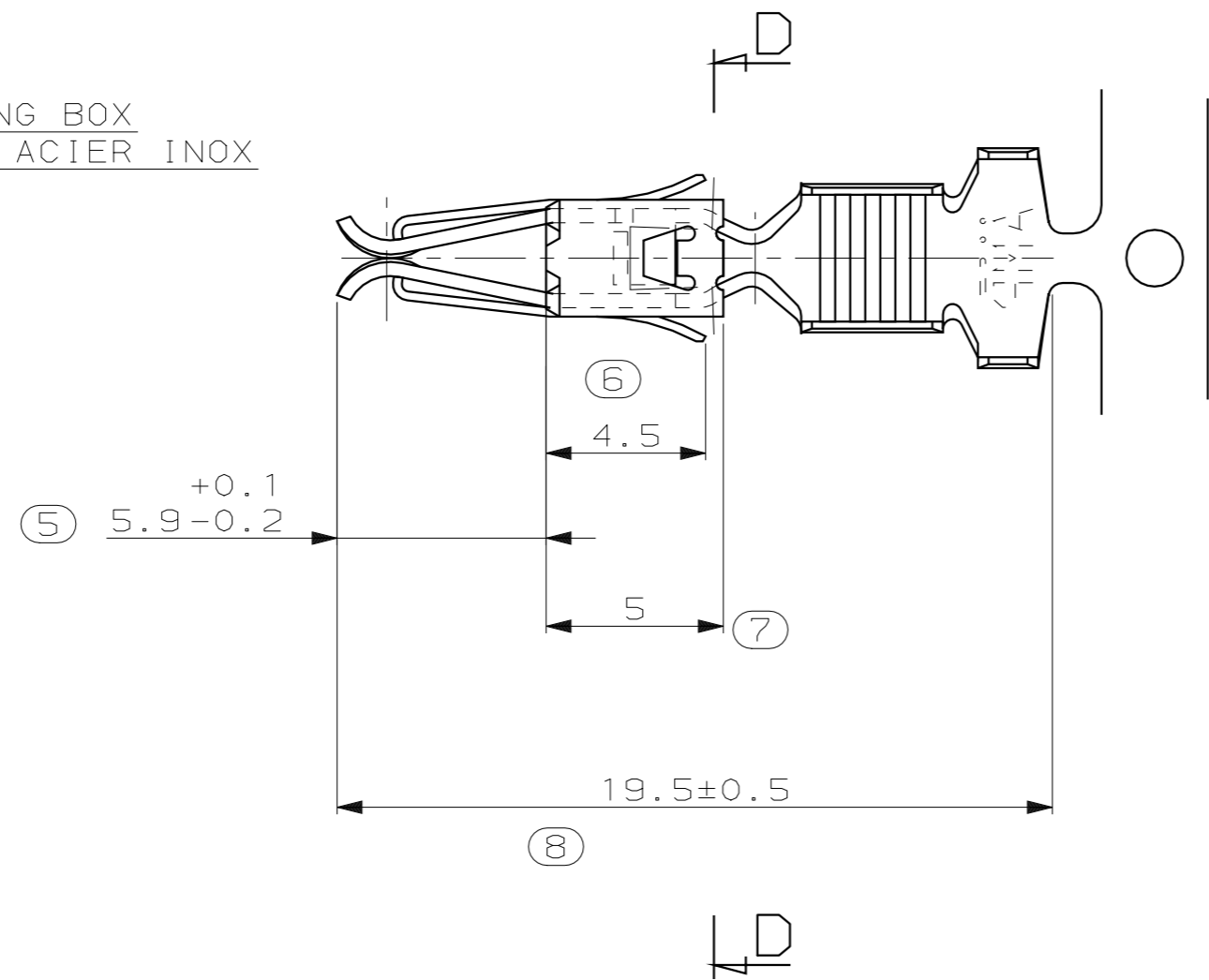
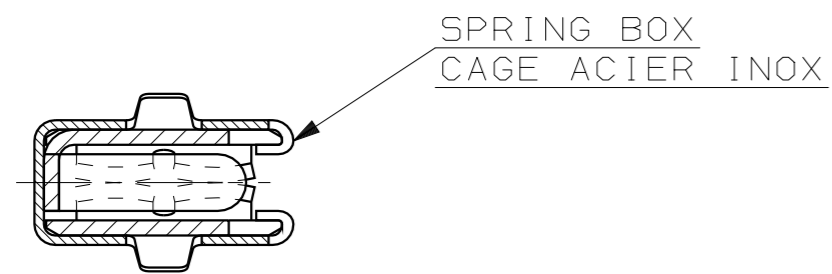
SECTION EE
 COUPE EE



SECTION CC
 COUPE CC



SECTION DD
 COUPE DD



PRE-TIN 0.8 A 3.3 μm	CUSN4	144617-1
FINITION	MATERIAL	PART NUMBER

THIS DRAWING IS A CONTROLLED DOCUMENT. CE PLAN EST UN DOCUMENT CONTROLE.		DWN/DESSINE 03-OCT-00 Michel POLIFONTE	AMP AMP DE FRANCE 95301 PONTOISE	
DIMENSIONS: mm	TOLERANCES UNLESS OTHERWISE SPECIFIED: TOLERANCES NON SPECIFIEES (SUIV NB DE DECIMALES): 0-PLC/DECG ± 1-PLC/DECG ± 2-PLC/DECG ± 3-PLC/DECG ± 4-PLC/DECG ± ANGLES ±	CHK/VERIFIE - APVD/APPROUVE -	NAME TITRE CLIP STANDARD POWER TIMER	
MATERIAL MATIERE see table voir tableau	FINITION see table voir tableau	PRODUCT SPEC SPEC. PRODUIT 108-15122	SIZE FORMAT A2	RESTRICTED TO -
		APPLICATION SPEC SPEC. APPLICATION 114-15056	CAGE CODE 00779	DRAWING NO TITRE 144617
		WEIGHT MASSE APPROX. -	UNIQUEMENT POUR REFERENCE	SCALE ECHELLE 5:1
		CUSTOMER DRAWING/PLAN CLIENT	SHEET FEUILLE 1 OF 1	REV 0