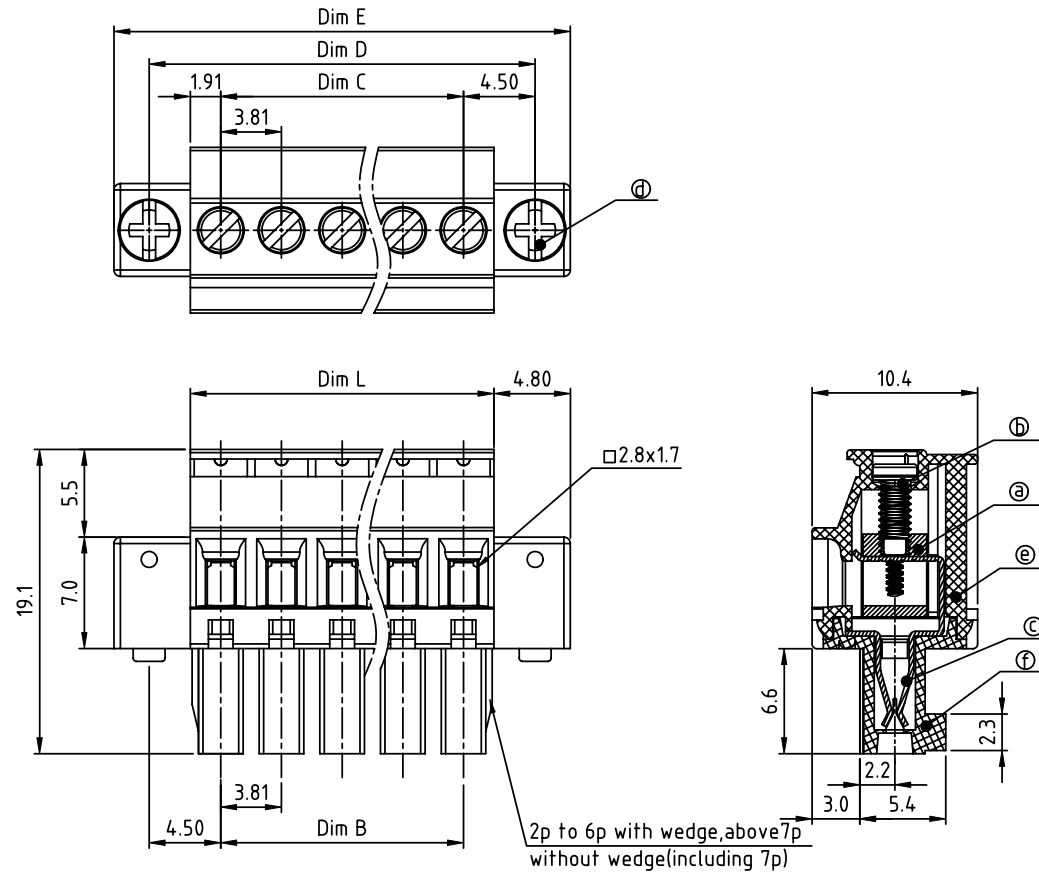


PRODUCT NUMBER	PITCH
TSxx31xD00J0G	3.81 mm



Material

- Item ① Clamp: Brass(CuZn) Ni plated
- Item ② Terminal screw: Steel Zinc plating "-" slot type
- Item ③ Female contact: PhBz Tin plated
- Item ④ With flange screw: Steel Zinc plating M2.5 "+/-" combination type
- Item ⑤ Top body: Thermoplastic (UL94V-0)
- Item ⑥ Bottom body: Thermoplastic (UL94V-0)

Electrical cULus/VDE

- Voltage rating: 300VAC/300VAC
- Current rating: 8A/10A
- Wire range: 1.5mm²
- Solid wire(AWG): 16-28
- Stranded wire(AWG): 16-28
- Torque: 1.7Lb-In./0.2Nm
- Screw: M2
- Wire strip length: 6-7mm
- Withstanding Voltage: 1.6KV/2.5KV
- Operating temperature: -40°C to +115°C
- Safety approval: cULus VDE

DIMENSION

N = Number of poles

Dim L	NX3.81
Dim B	(N-1)X3.81
Dim C	(N-1)X3.81
Dim D	(N-1)X3.81+9.0
Dim E	(N-1)X3.81+13.4

Poles	Tolerance
2p-6p	±0.15
7p-12p	±0.20
13p-16p	±0.25
17p-24p	±0.30

PART NO.: TS xx 31 x D 00J0 G

- | | | | |
|--------------|---|-------------------|-----------------|
| Solid block | 0 | Black (RAL9005) | RoHS compliant |
| No. of poles | 2 | Red (RAL3001/D) | (lead<4%) |
| 02 2 poles | 3 | Orange(RAL2011/P) | In copper Alloy |
| 03 3 poles | 4 | Yellow(RAL1018/A) | |
| ... | 5 | Green(RAL6018/T) | |
| 24 24 poles | 6 | Blue (RAL5015/A) | |
| | 8 | Grey(RAL7035/D) | |
| | 9 | White(RAL1102) | |
| | C | Green(RAL6018/U) | |

mat'l. code		surface ASME Y14.5	tolerance ASME Y14.5	projection MM	product family TERMINAL BLOCK
ltr	ecn no	dr	date	scale	title TERMINAL BLOCK
					PLUGGABLE PLUG,HOOK ON BACK SIDE,WITH FLANGE
		dr	EVIN ZHONG 041914		dwg no
		enr	EVIN ZHONG 041914		sheet 1 of 1
		chr	HANKE FENG 041914		size A4
		appd	SHI JUN 041914		type CUSTOMER Drawing
sheet index	revision	A			
	sheet	1			