

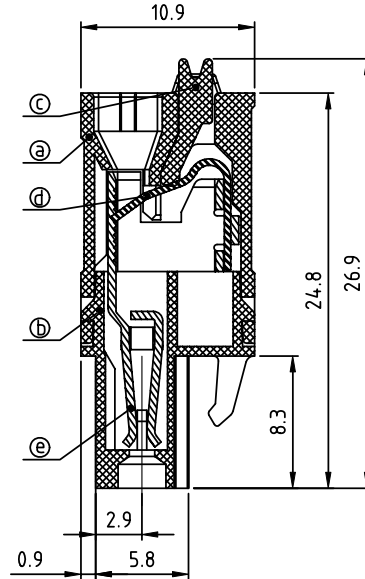
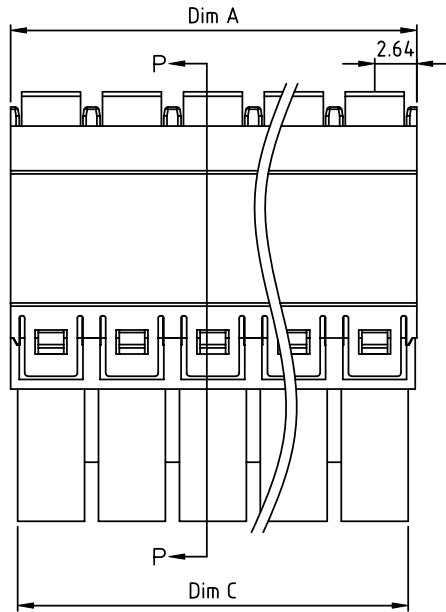
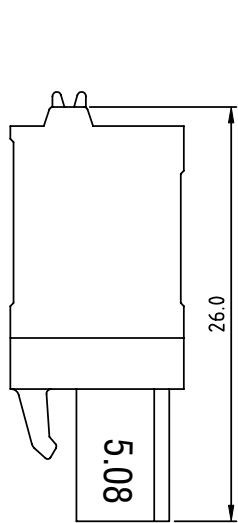
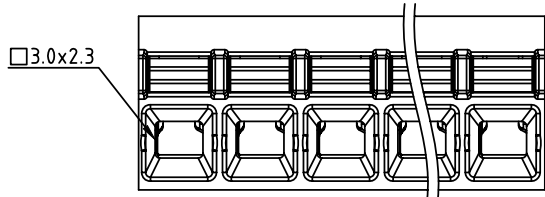
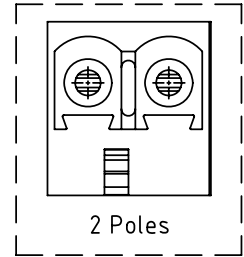
PRODUCT NUMBER	PITCH
KDxx50x000J0G	5.08 mm

Dim A=N×5.08+0.1
Dim B=(N-1)×5.08
Dim C=(N-1)×5.08+4.2

N=Number of poles	
POLES	Tolerance
2p-6p	±0.15
7p-12p	±0.25
13p-18p	±0.35
19p-24p	±0.40

PART NO.: **KD xx 5 0 x 0 00J0 G**

- | | | | |
|--------------|---|-------------------|---|
| Solid block | 0 | Color | RoHS compliant (lead<4%)
In copper Alloy |
| No. of poles | 2 | Black (RAL9005) | |
| 02 2 poles | 3 | Red (RAL3001/D) | |
| 03 3 poles | 4 | Orange(RAL2011/P) | |
| ... | 5 | Yellow(RAL1018/A) | |
| 24 24 poles | 6 | Green(RAL6018/T) | |
| | 8 | Blue (RAL5015/A) | |
| | 9 | White(RAL1102) | |
| | C | Green(RAL6018/U) | |



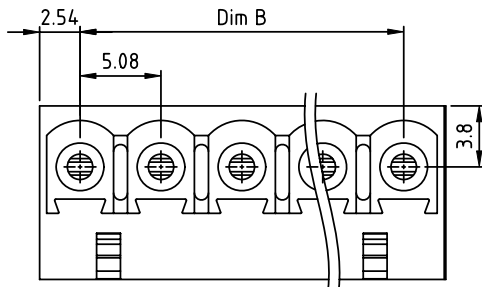
SECTION P-P

Material:

- Item@Top body: Thermoplastic (UL94V-0)
- Item@Bottom body: Thermoplastic (UL94V-0)
- Item@Terminal Lever: Thermoplastic (UL94V-0) Orange (RAL2001/P)
- Item@Spring clamp: Stainless steel
- Item@Female contact: PhBz Tin Plated

Electrical:

- | | |
|-------------------------|-----------------|
| cULus | |
| ●Voltage rating: | 300 V |
| ●Current rating: | 12 A |
| ●Wire range: | |
| ●Solid wire(AWG): | 14-24 |
| ●Stranded wire(AWG): | 14-24 |
| ●Wire strip length: | 11-12 mm |
| ●Withstanding Voltage: | 1.6 KV |
| ●Operating temperature: | -40°C to +115°C |
| ●Safety Approval: | |



mat'l. code		surface ASME Y14.5	tolerance ASME Y14.5	projection	product family TERMINAL BLOCK
ltr ecn no dr date		tolerances unless otherwise specified			title TERMINAL BLOCK SPRING CLAMP, PLUGGABLE PLUG
		angles	X.±0.5	MM	scale
		fin	X.X±0.3		
		X*±1*	X.XX±0.1		
		dr	EVIN ZHONG 052014		dwg no KDxx50x000J0G
		enr	EVIN ZHONG 052014		sheet 1 of 1
		chr	HANKE FENG 052014		size A4
		appd	SHI JUN 052014		type CUSTOMER Drawing
sheet index	revision sheet	A	1		