

Model No: DQ25SC16-04
 Product Line: Tymphany

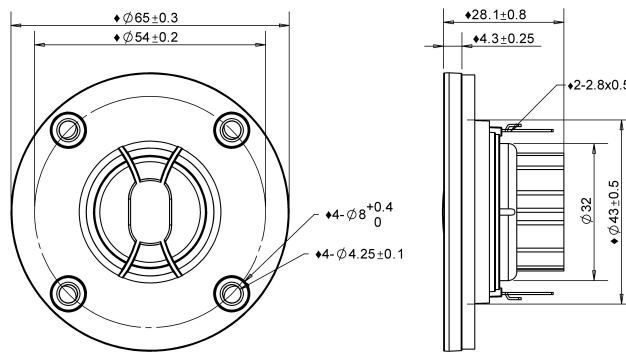
Rev: 1
 Last Update: 2017-03-03 02:00:02

Product Description

This DQ family tweeter features an 4 ohm 12.25 mm voice coil, a treated titanium dome, and ferrofluid in the gap of the NdFeB motor. providing enhanced cooling of the voice coil. The tweeter comes with a plastic faceplate with recessed mounting holes , for easy installation into the desired application, a finned heat sink has been added on this driver's bottom. Is designed to be a high performance transducer.



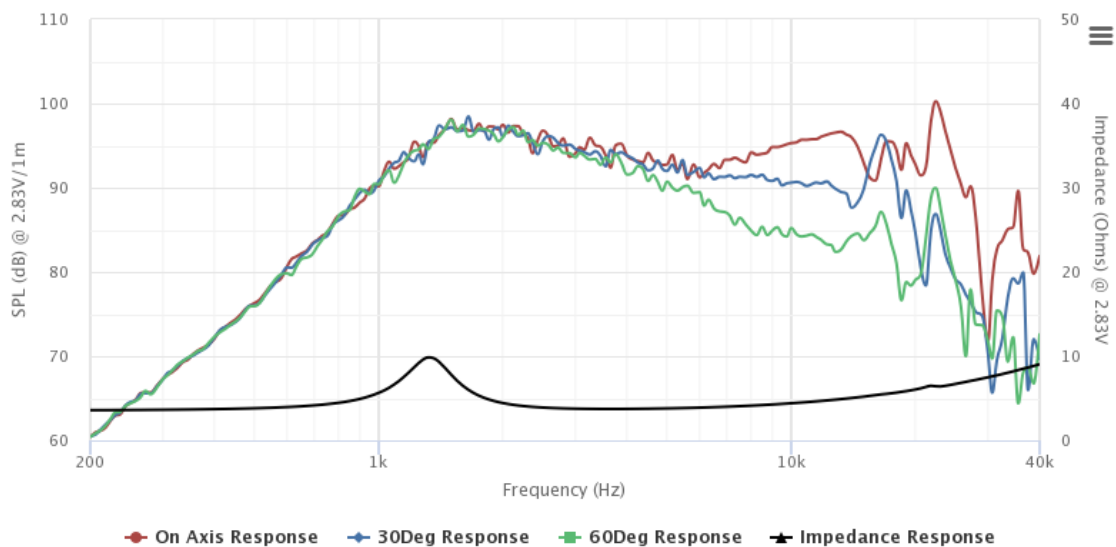
Mechanical Drawing



Specifications

DC Resistance	Revc	Ohms	2.91	5.0%	Energy Bandwidth Product	EBP	(1/Qes)*fs
Minimum Impedance	Zmin	Ohms	3.73	7.5%	Moving Mass	Mms	g
Voice Coil Inductance	Le	mH	0.02		Suspension Compliance	Cms	um/N
Resonant Frequency	Fs	Hz	1369.53	15%	Effective Cone diameter	D	cm
Mechanical Q Factor	Qms		3.2		Effective Piston Area	Sd	cm ²
Electrical Q Factor	Qes		1.62		Effective Volume	Vas	L
Total Q Factor	Qts		1.08		Motor Force Factor	BL	Tm
Ratio Fs/Qts	F	Fs/Qts	1273.98		Motor Efficiency Factor	β	(T*M ²)/Ohms
Half Space Sensitivity @2.83V	db@2.83V/1M	dB	94.05	+/- 1.0db	Voice coil former Material	VCfm	ASV
Half Space Sensitivity @1W/1M	db@1W/1M	dB	90.7	+/- 1.0db	Voice coil inner diameter	VCd	mm
Gap Height	Gh	mm	2		Rated Noise Power	P	W
Maximum Linear Excursion	Xmax	mm	0		Test Spectrum Bandwidth		2.5KHz-20KHz
Ferrofluid Type	FF		APG027N		Driver Size	Inch	25 mm
Driver Mass	Kg		0.08				

Frequency and Impedance Response



Highcharts.com