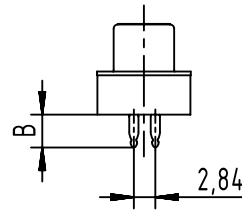
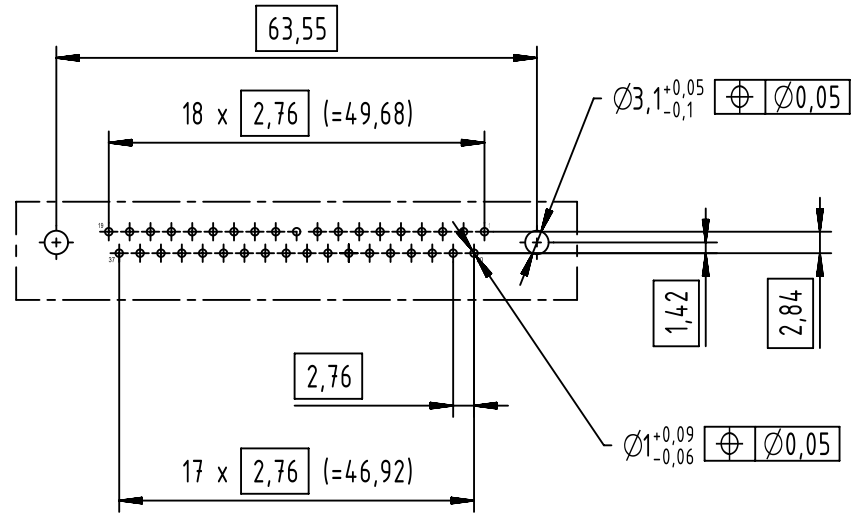
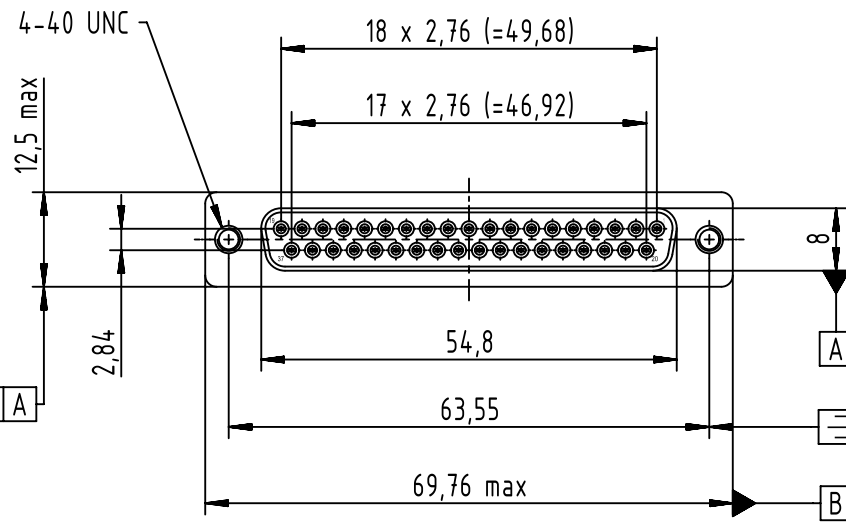


Mark for A=5,7 mm version



PC-Board layout
view component side
thickness up to 3,2 mm



All Dimensions in mm Original Size DIN A4		Scale 1:1	Free size tol.		Ref.
All rights reserved Department EC PD - FR		Created by LAVERGNEC	Inspected by BAGDIKIAN	Standardisation HOFFMANN	Date 2014-04-02
HARTING Electronics GmbH D-32339 Espelkamp		Title D-Sub 37-pole straight female press-in			State Final Release
Doc-Key / ECM-Nr. 100571956/UGD/001/A 500000072779		Type TB	Number 0966454X512		Rev. A

D	09664547512	3	6	4,20
	09664546512	2	6	4,20
	09664545512	S4 PdNi	6	4,20
	Part number	Performance level	A +/- 0,2	B +/- 0,2