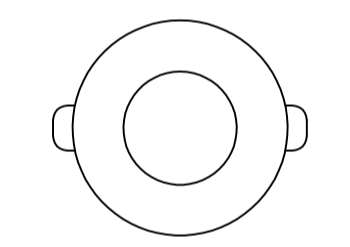
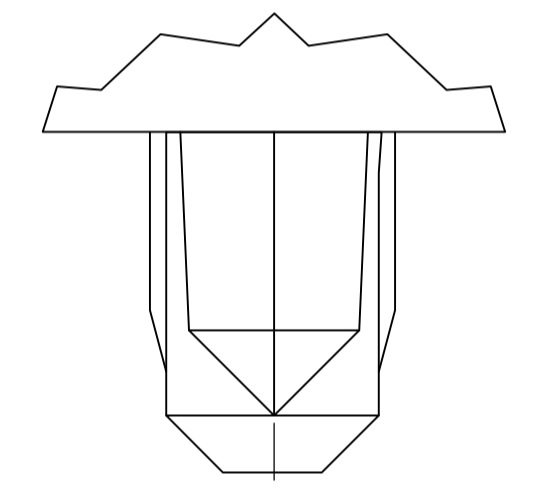
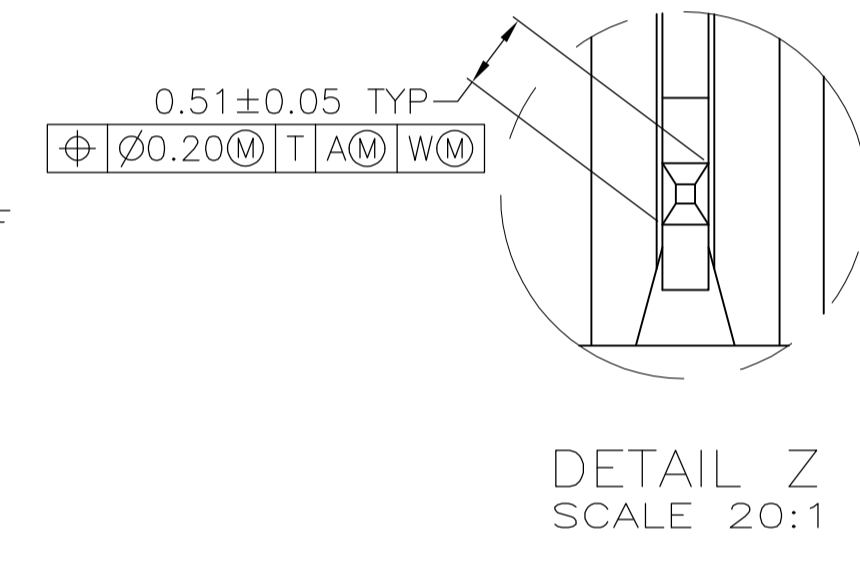
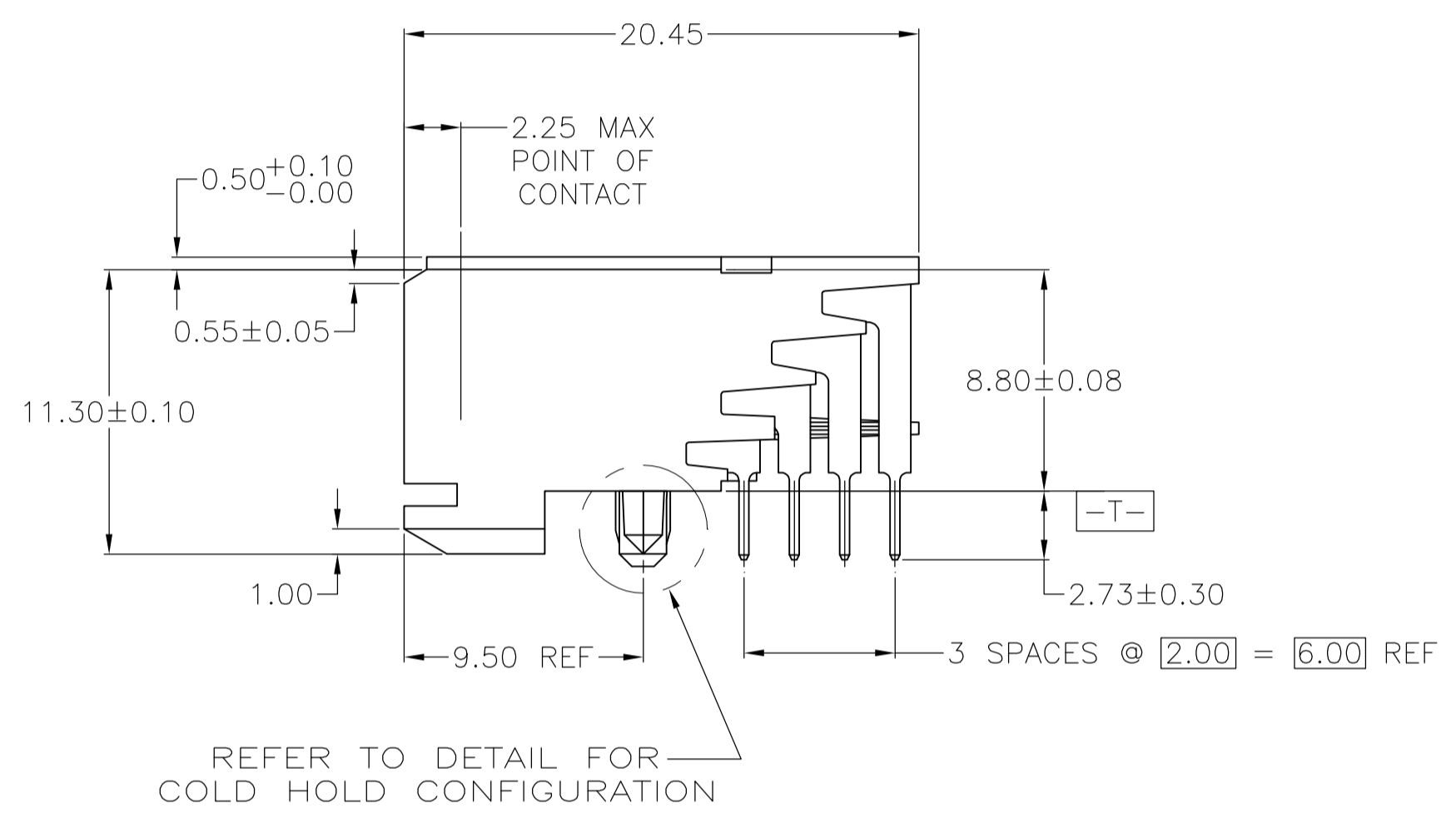
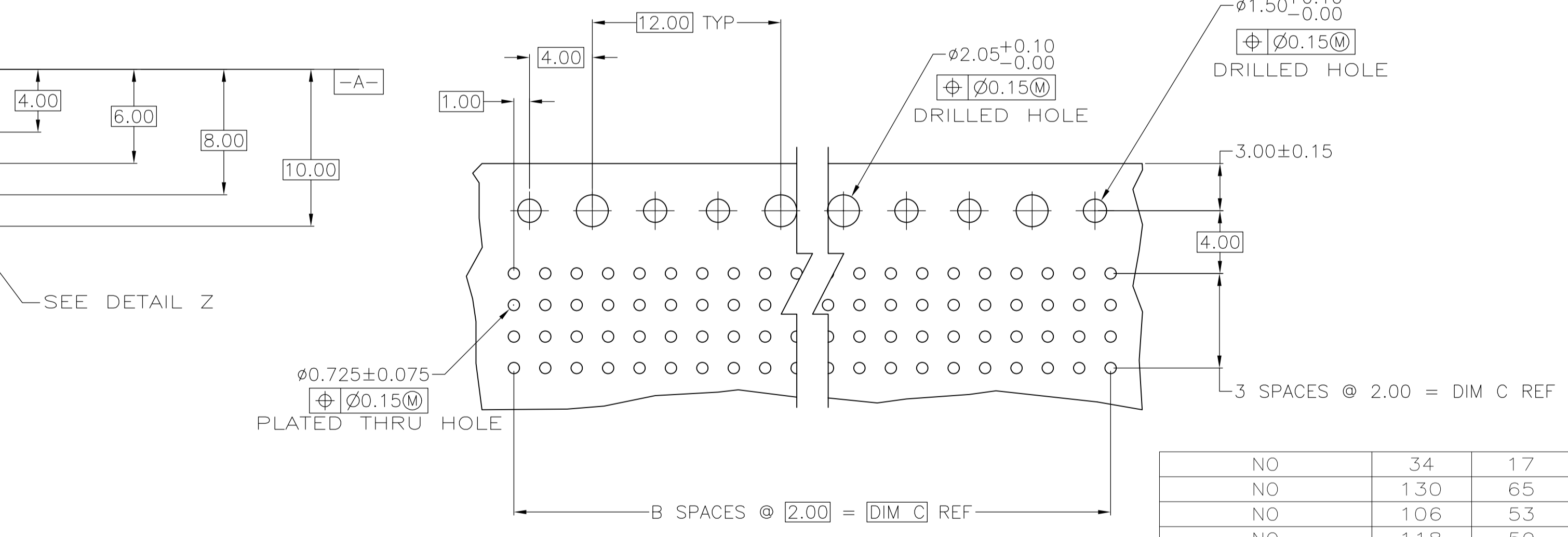


- ① HOUSING MATERIAL: LIQUID CRYSTAL POLYMER
COLOR: NATURAL.
- ② CONTACT MATERIAL: PHOSPHOR-BRONZE.
- ③ CONTACT FINISH:
UNDERPLATE (ENTIRE CONTACT) -
0.00127 MIN NICKEL PER SAE-AMS-QQ-N-290.
ON MATING SURFACES-
CONFORMS TO ALL TESTING SPECIFIED FOR TELCORDIA
UNCONTROLLED ENVIRONMENT
ON LEADS-
0.00381 MIN TIN PER ASTM B 545, OVER UNDERPLATE
LUBRICATION (MIN MATING SURFACES)
SURFACE CONDITIONER PER AMP SPEC. 112-1002 AFTER PLATING.
- ④ PART MARKING, LOCATED APPROXIMATELY AS SHOWN.
- ⑤ OBSOLETE PARTS: OBSOLETE CIS STREAMLINING PER D.RENAUD/D.SINISI



TYPICAL COLD HOLD FOR ALL ASSEMBLIES



RECOMMENDED CIRCUIT PATTERN PER IPC-D300 TYPE II, CLASS C (COMPONENT SIDE)

| | | | | | | |
|------------------|-----|----|--------|--------|------------|-------------|
| NO | 34 | 17 | 35.88 | ③ | 72 | 1-5536507-1 |
| NO | 130 | 65 | 131.88 | ③ | 264 | ④-5536507-0 |
| NO | 106 | 53 | 107.88 | ③ | 216 | ④-5536507-9 |
| NO | 118 | 59 | 119.88 | ③ | 240 | ④-5536507-8 |
| NO | 70 | 35 | 71.88 | ③ | 144 | 5536507-7 |
| NO | 58 | 29 | 59.88 | ③ | 120 | 5536507-6 |
| NO | 82 | 41 | 83.88 | ③ | 168 | 5536507-5 |
| NO | 94 | 47 | 95.88 | ③ | 192 | 5536507-4 |
| NO | 46 | 23 | 47.88 | ③ | 96 | 5536507-3 |
| NO | 22 | 11 | 23.88 | ③ | 48 | 5536507-2 |
| YES | 10 | 5 | 11.88 | ③ | 24 | 5536507-1 |
| POSITIONING PEGS | C | B | A | FINISH | NO OF POSN | PART NUMBER |

THIS DRAWING IS A CONTROLLED DOCUMENT. DIM B, MCMMASTER 30AUG04. DIM C, WERTZ 30AUG04. DIM R, WERTZ 30AUG04. DIM R, WERTZ 30AUG04.

STE TE Connectivity

NAME: RECEPTACLE ASSEMBLY, SIGNAL MODULE, Z-PACK, 2mm FB, 4 ROW, 2.73mm LEAD LENGTH

PRODUCT SPEC: APPLICATION SPEC

SIZE: A1 00779 C=5536507

WEIGHT: CUSTOMER DRAWING

SCALE: 4:1 SHEET 1 OF 1 REV P