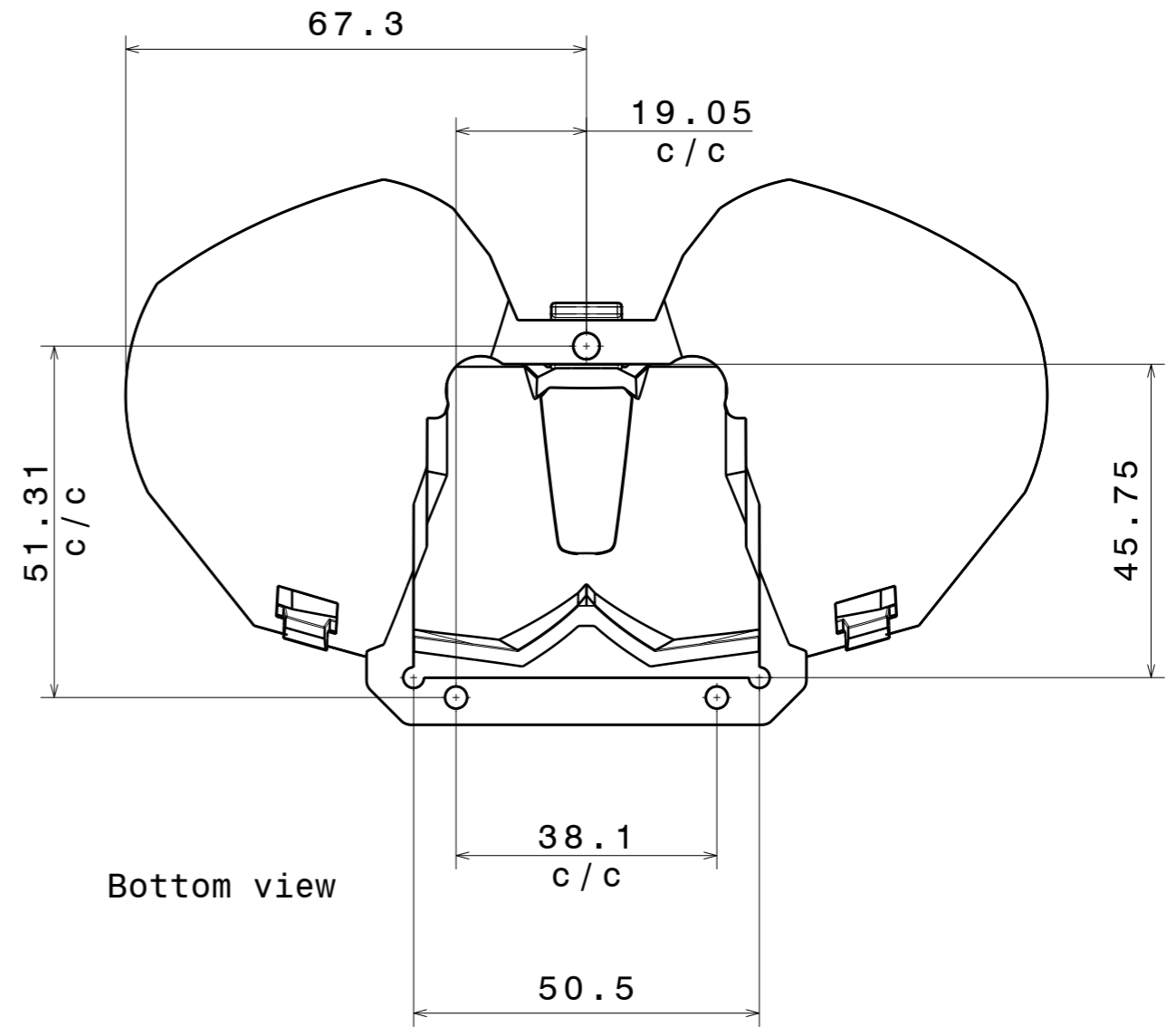
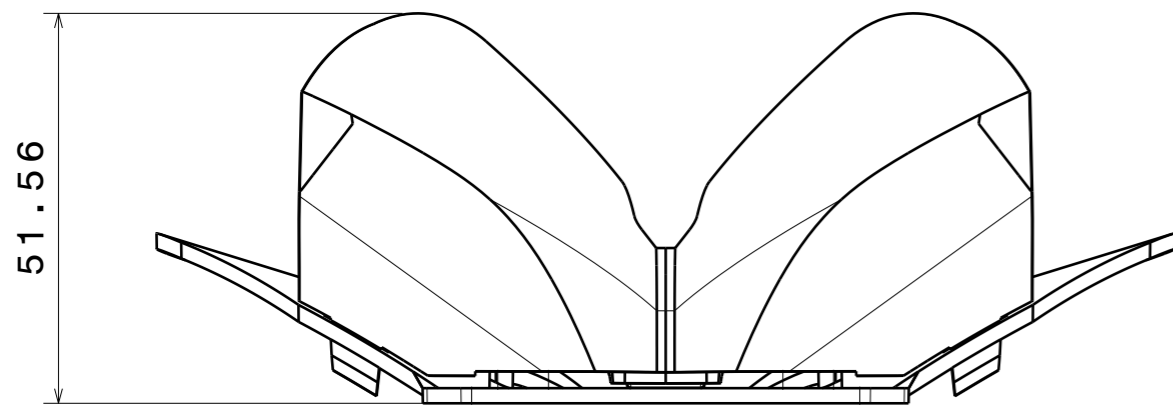


Top view



Bottom view



Rear view

INDEX	PART NO	DESCRIPTION	MATERIAL	COLOUR
1	C12221	BERTHA1-TYPE4-M-TOP	PEI, SiO2	metal
2	C12222	BERTHA1-TYPE4-M-BASE	PEI, SiO2	metal

Tolerances if not otherwise shown
 According to DIN ISO 2768-1
 Linear measures: class C
 According to DIN ISO 2768-2
 Form and position: class L

LEDiL LediL Oy
 Salorankatu 10
 FIN 24240 SALO
 Finland

THIRD ANGLE PROJECTION:

DRAWING TITLE
CN12223_BERTHA1-TYPE4-M

This drawing is the property of LEDiL Oy. It may not be reproduced, copied or communicated without a written agreement with LEDiL Oy.

SIZE	PART NUMBER
A3	CN12223

SCALE	1:1	WEIGHT	27,17 g	SHEET	1/1
-------	-----	--------	---------	-------	-----