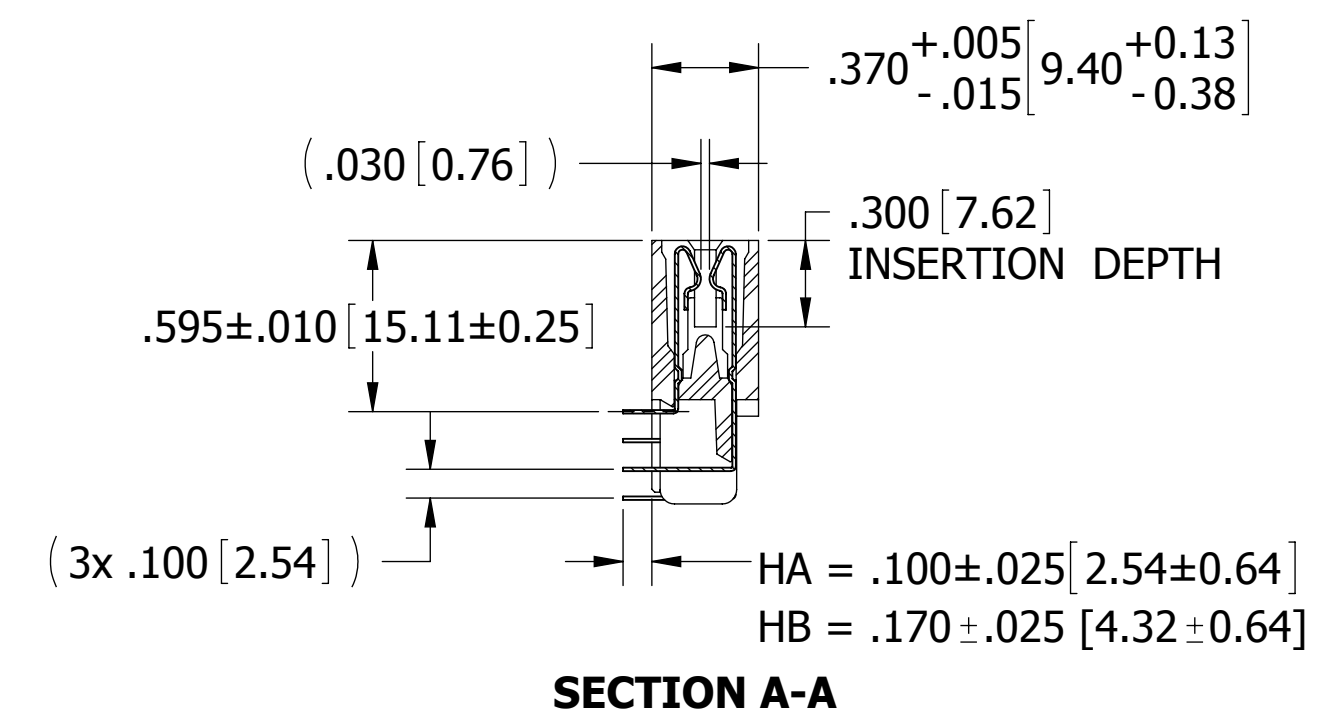
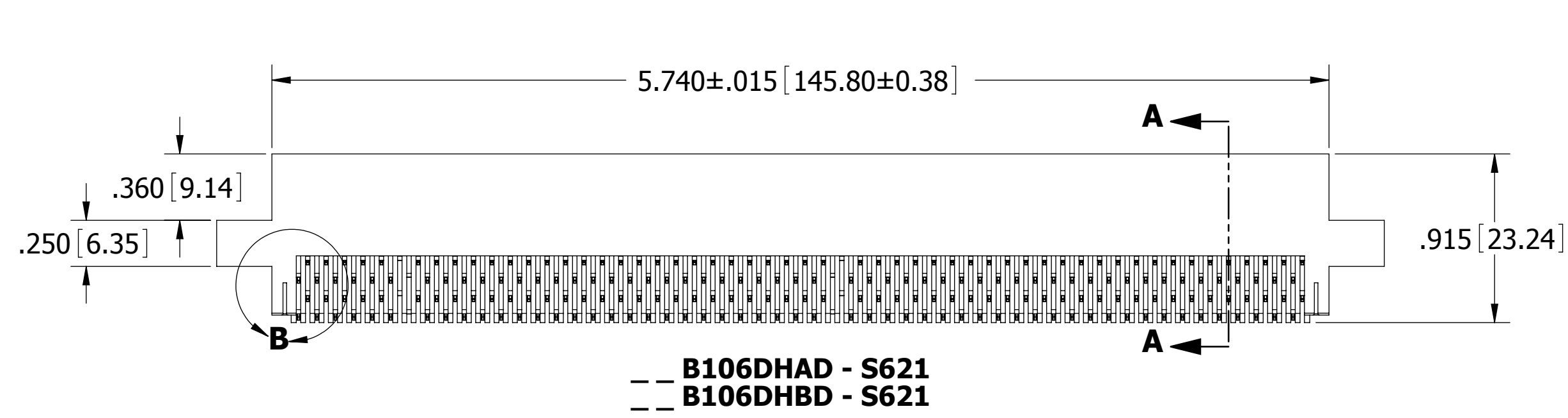
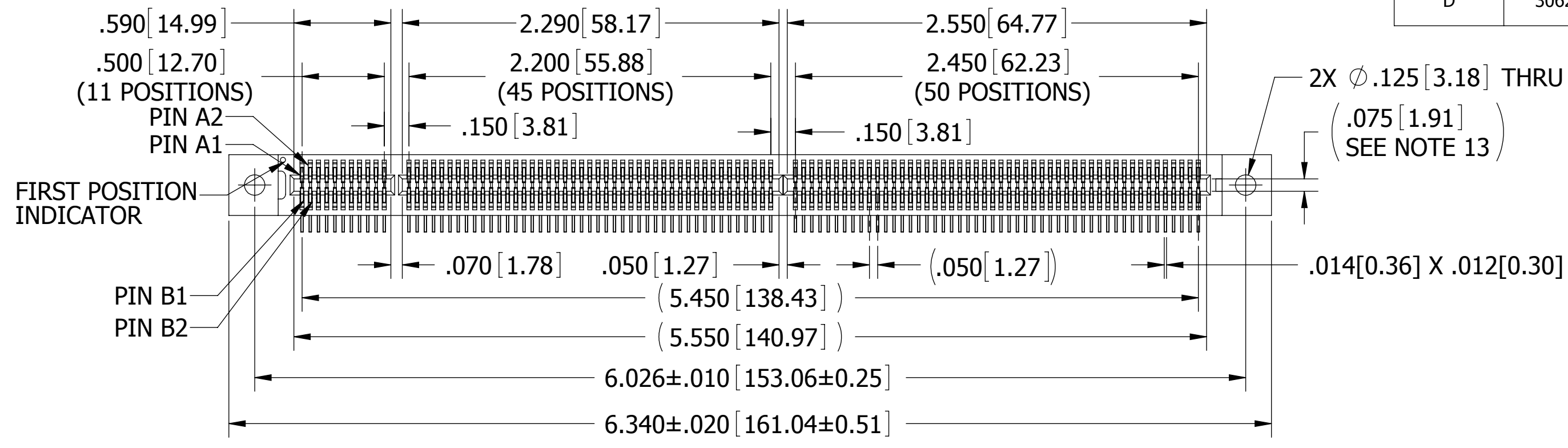
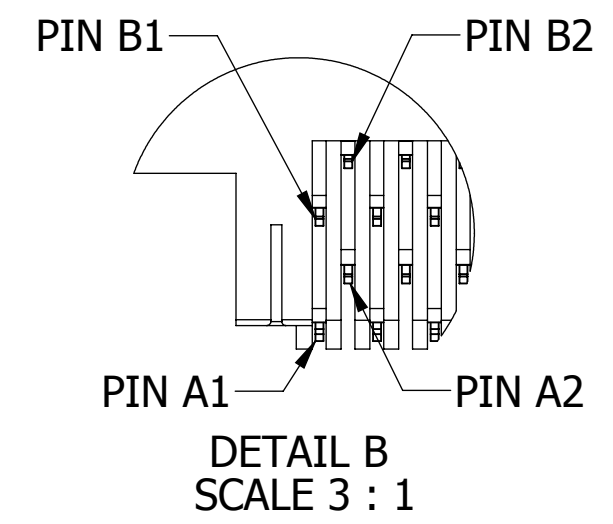


REVISIONS				
REV.	ECO. NO	DESCRIPTION	DATE	BY
A	1198	INITIAL RELEASE	8/2/2007	VJ
B	1810	ADD HB TERMINATION, UPDATE LAYOUT	9/25/2008	ASK
C	2503	UPDATE BOARD LOCK HOLE TO PIN DIST .150 (WAS .140), PCB LAYOUT, DAUGHTER CARD LAYOUT & DWG FORMAT	12/14/2011	JH
D	3062	UPDATE PIN DIMENSION FROM .018[0.46] TO .014[0.36]	9/16/2014	JHSU



-- B106DHAD - S621
 -- B106DHBD - S621

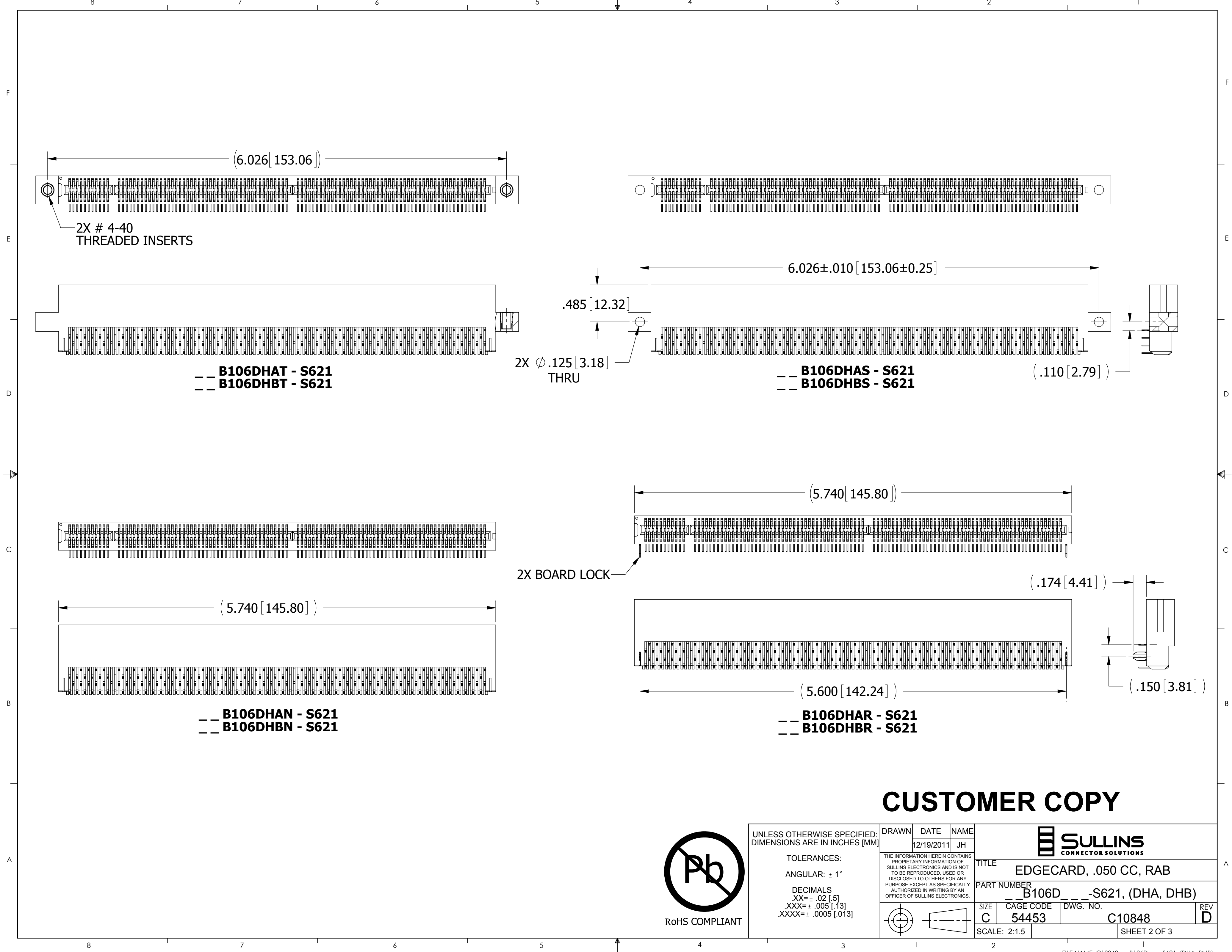


- NOTES:**
1. INSULATOR MATERIAL: SEE PART NUMBER CODING
 2. CONTACT MATERIAL: SEE PART NUMBER CODING
 3. PLATING: SEE PART NUMBER CODING
 4. OPERATING TEMPERATURE: SEE PART NUMBER CODING
 5. PROCESSING TEMP: SEE PART NUMBER CODING
 6. UL FLAMMABILITY RATING: 94V-0
 7. OPERATING VOLTAGE: 300 VAC MINIMUM AT SEA LEVEL
 8. CURRENT RATING: 1 AMP
 9. CONTACT RESISTANCE: 30 MILLI OHMS MAX
 10. INSULATION RESISTANCE: 5000 MEGA OHMS
 11. DURABILITY: 500 CYCLES MIN
 12. CONNECTOR IDENTIFICATION: THE PART SHALL BE MARKED WITH A PART NUMBER AND LOT CODE
 13. BOARD THICKNESS ACCOMMODATED: .062 ± .008 [1.57 ± 0.20]
 14. INSERTION FORCE: 6 OZ MAX PER CONTACT PAIR WHEN USING A .062 [1.57] TEST BLADE
 15. WITHDRAWAL FORCE: 1 OZ MIN PER CONTACT PAIR USING .062 [1.57] PCB
 16. MODIFICATION: CARD SLOT BARRIERS WITHOUT GUIDE POSTS, 11/45/50 POSITIONS (MCA)



CUSTOMER COPY

UNLESS OTHERWISE SPECIFIED: DIMENSIONS ARE IN INCHES [MM]		DRAWN	DATE	NAME		
			12/19/2011	JH		
TOLERANCES:					<small>THE INFORMATION HEREIN CONTAINS PROPRIETARY INFORMATION OF SULLINS ELECTRONICS AND IS NOT TO BE REPRODUCED, USED OR DISCLOSED TO OTHERS FOR ANY PURPOSE EXCEPT AS SPECIFICALLY AUTHORIZED IN WRITING BY AN OFFICER OF SULLINS ELECTRONICS.</small>	
ANGULAR: ± 1°					TITLE	
DECIMALS					EDGE CARD, .050 CC, RAB	
.XX = ± .02 [.5]					PART NUMBER	
.XXX = ± .005 [1.3]					B106D__-S621, (DHA, DHB)	
.XXXX = ± .0005 [0.13]					SIZE	CAGE CODE
					C	54453
					DWG. NO.	REV
					C10848	D
					SCALE: 1.5:1	SHEET 1 OF 3



CUSTOMER COPY



UNLESS OTHERWISE SPECIFIED:
DIMENSIONS ARE IN INCHES [MM]

TOLERANCES:
ANGULAR: ± 1°
DECIMALS
.XX = ± .02 [.5]
.XXX = ± .005 [.13]
.XXXX = ± .0005 [.013]

DRAWN	DATE	NAME
	12/19/2011	JH

THE INFORMATION HEREIN CONTAINS PROPRIETARY INFORMATION OF SULLINS ELECTRONICS AND IS NOT TO BE REPRODUCED, USED OR DISCLOSED TO OTHERS FOR ANY PURPOSE EXCEPT AS SPECIFICALLY AUTHORIZED IN WRITING BY AN OFFICER OF SULLINS ELECTRONICS.



TITLE EDGECARD, .050 CC, RAB		
PART NUMBER _B106D_-S621, (DHA, DHB)		
SIZE C	CAGE CODE 54453	DWG. NO. C10848
SCALE: 2:1.5	SHEET 2 OF 3	

PART NUMBER CODING

B106D - **S621**

MATERIALS (INSULATOR / CONTACT)

- R = BLACK, PPS/PHOSPHOR BRONZE**
OPERATING TEMP: -65°C TO +125°C
PROCESSING TEMP: 260°C MAX FOR 20 SECONDS
- G = BLACK, PA9T/PHOSPHOR BRONZE**
OPERATING TEMP: -65°C TO +125°C
PROCESSING TEMP: 260°C MAX FOR 20 SECONDS
- A = BLACK, PPS/BERYLLIUM COPPER**
OPERATING TEMP: -65°C TO +150°C
PROCESSING TEMP: 260°C MAX FOR 20 SECONDS
- J = BLACK, PA9T/BERYLLIUM COPPER**
OPERATING TEMP: -65°C TO +150°C
PROCESSING TEMP: 260°C MAX FOR 20 SECONDS
(CONSULT FACTORY FOR OTHER MATERIALS)

MOUNTING STYLE

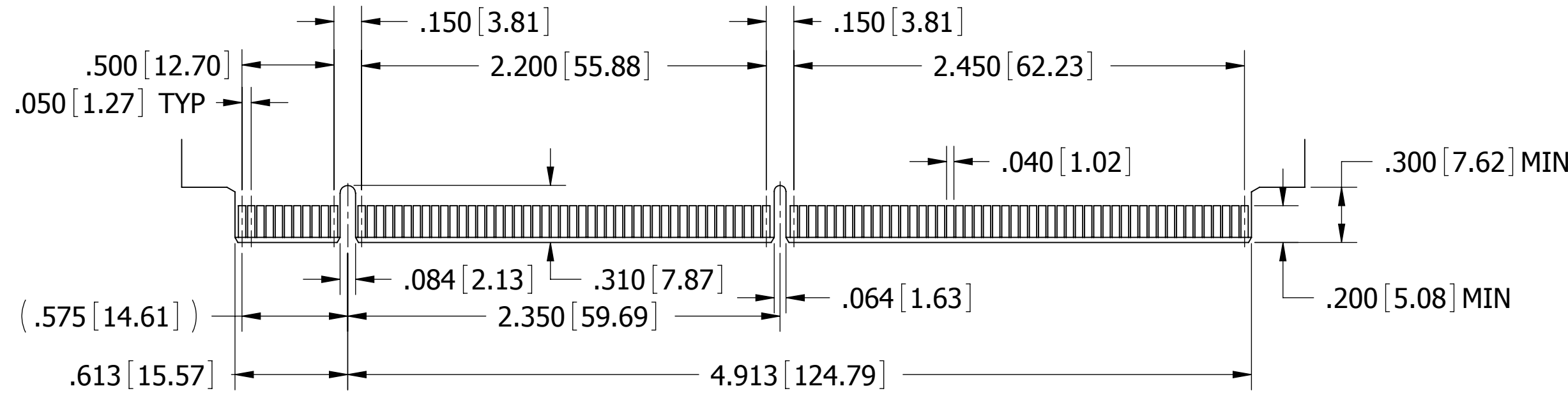
- D = FLUSH MOUNTING
- S = SIDE MOUNTING
- N = NO MOUNTING EARS
- T = FLUSH MOUNTING WITH, #4-40 THREADED INSERT
- R = BOARD LOCK

TERMINATION TYPE

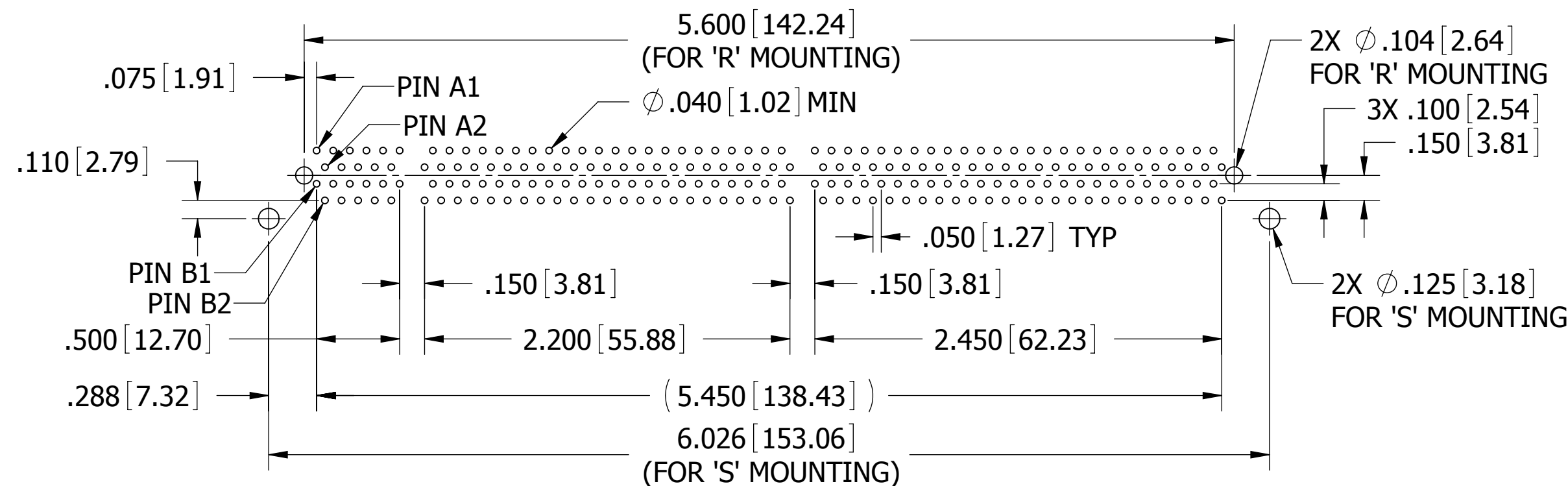
- HA = .100" [2.54 mm] STAGGERED DIP SOLDER, .050" CENTERS
- HB = .170" [4.32 mm] STAGGERED DIP SOLDER, .050" CENTERS

PLATING

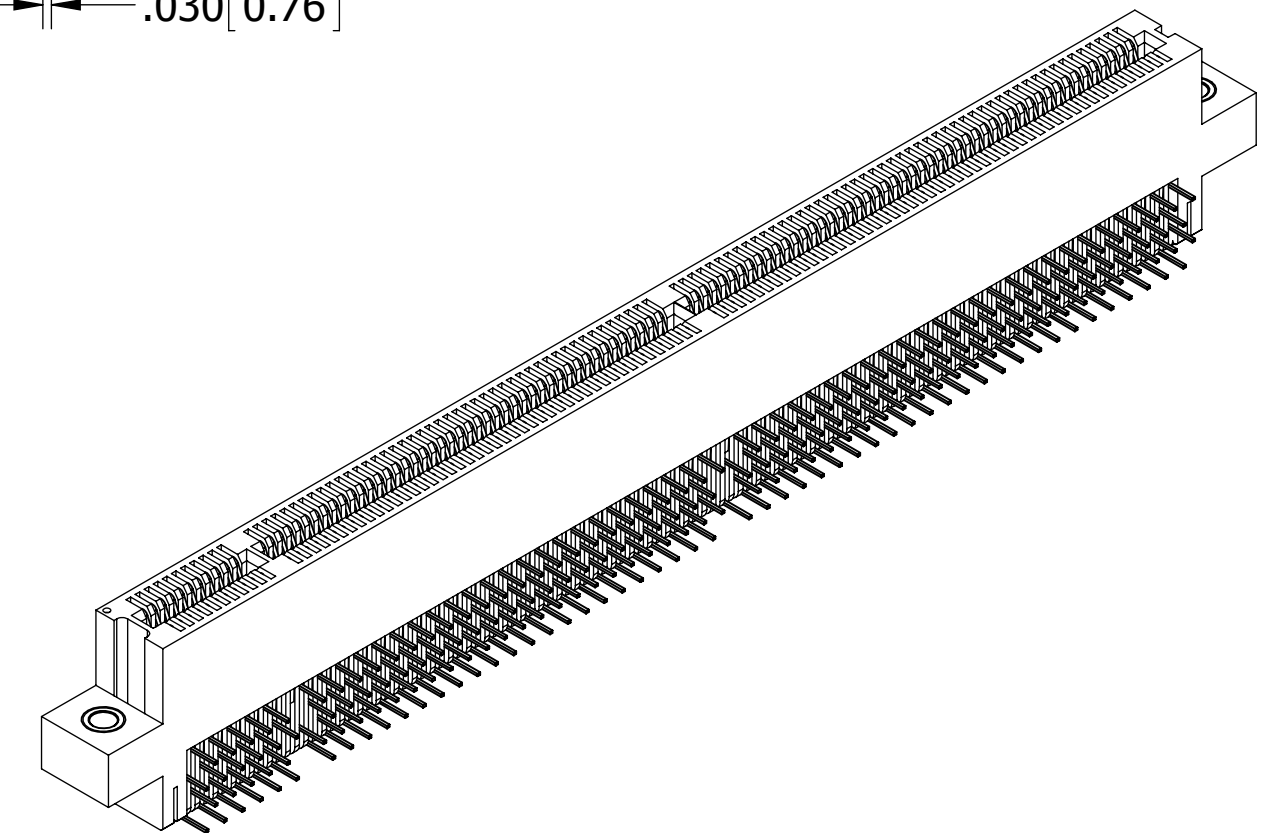
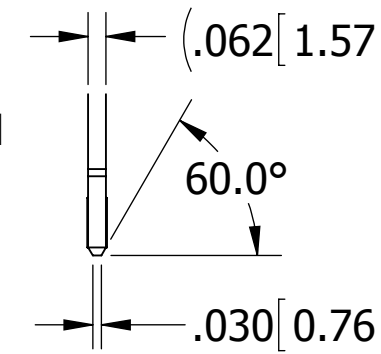
- ALL PLATINGS ARE LEAD FREE AND HAVE .000050" NICKEL UNDERPLATE
- | CONTACT SURFACE | TERMINATION |
|-------------------|--------------------------|
| B = .000010" GOLD | .000100" PURE TIN, MATTE |
| C = .000030" GOLD | .000100" PURE TIN, MATTE |



RECOMMENDED DAUGHTER CARD LAYOUT



**RECOMMENDED PCB LAYOUT
CONNECTOR SIDE**



CUSTOMER COPY



RoHS COMPLIANT

UNLESS OTHERWISE SPECIFIED: DIMENSIONS ARE IN INCHES [MM]		DRAWN	DATE	NAME		
			12/19/2011	JH		
TOLERANCES:					<small>THE INFORMATION HEREIN CONTAINS PROPRIETARY INFORMATION OF SULLINS ELECTRONICS AND IS NOT TO BE REPRODUCED, USED OR DISCLOSED TO OTHERS FOR ANY PURPOSE EXCEPT AS SPECIFICALLY AUTHORIZED IN WRITING BY AN OFFICER OF SULLINS ELECTRONICS.</small>	
ANGULAR: ± 1°					TITLE EDGE CARD, .050 CC, RAB	
DECIMALS .XX = ± .02 [.5] .XXX = ± .005 [.13] .XXXX = ± .0005 [.013]					PART NUMBER B106D -S621, (DHA, DHB)	
		SIZE	CAGE CODE	DWG. NO.	REV	
		C	54453	C10848	D	
		SCALE: 2:1.5		SHEET 3 OF 3		