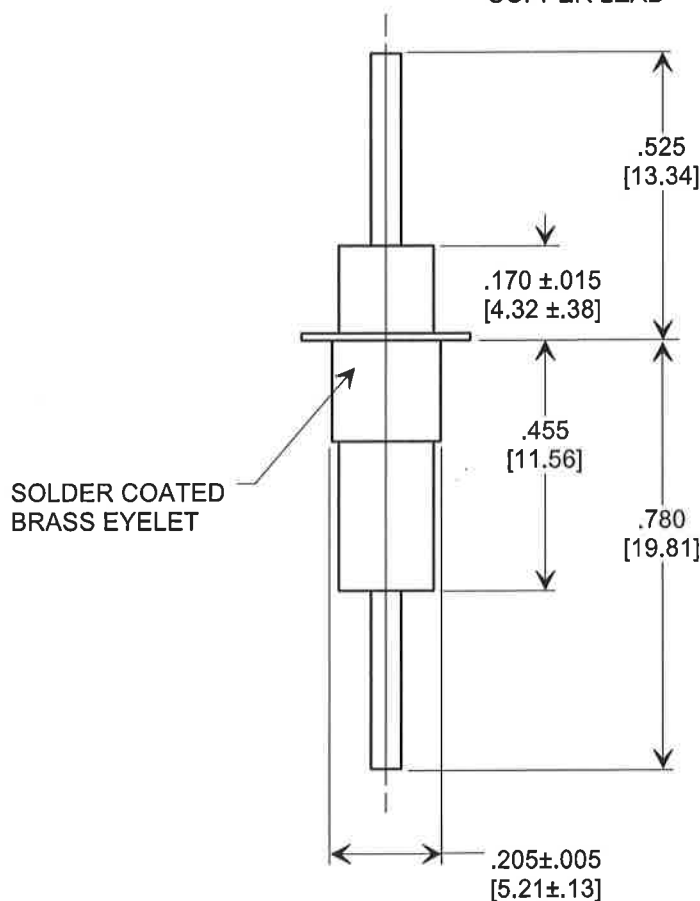
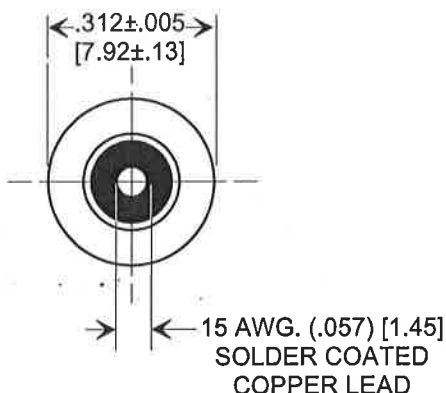
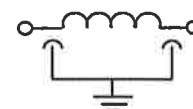
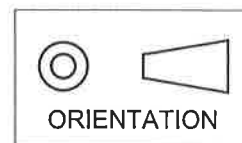


**MARKETING SALES DRAWING**  
**DIMENSIONS IN INCHES - DO NOT SCALE THIS DRAWING**  
**DIMENSIONS IN METRIC - [ ]**

Electrical Testing  
per Tusonix standard  
test plans and Mil-Std-202  
Test Methods.



MIN. CAP (pF)	WORKING VOLTAGE (WVDC)		CURRENT Idc	MINIMUM NO-LOAD INSERTION LOSS			
	85°C	125°C		10 MHz	100 MHz	1 GHz	10 GHz
1500	1000	700	25A	5	35	65	65

**REVISION RECORD**  
Original Release  
C.O. 970306-4  
0

<b>-TOLERANCES--</b> Unless Otherwise Specified DECIMAL ± .031 [ .79 ] ANGLES ±	Title <b>EYELET STYLE EMI FILTER</b>	
	Drawn S.M. 03-11-97 Approved T.C. 03-11-97	Scale 3 X
<b>TUSONIX</b> TUCSON, ARIZONA	<b>A</b>	<b>4106-003</b>

X-2015 Rev-0