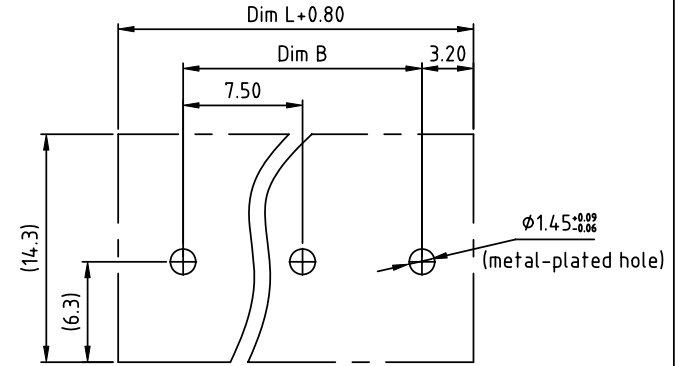
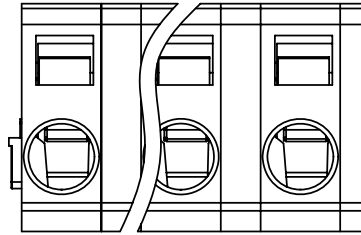
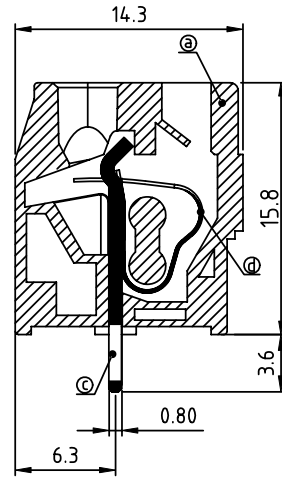
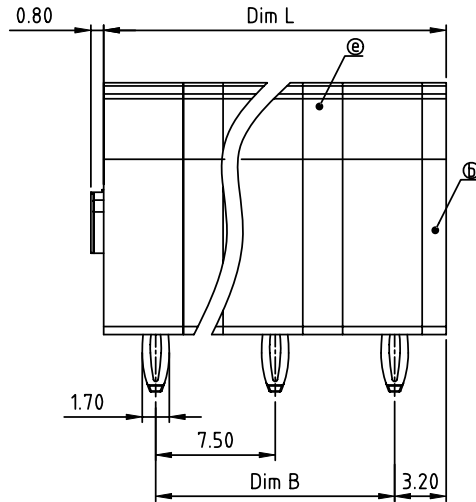


PRODUCT NUMBER	PITCH
HMxx90x100J0G	7.50mm



RECOMMENDED P.C.B LAYOUT
TOP VIEW



Material:

- Item① Insulator body: Thermoplastic (UL94V-0)
- Item② Insulating cover: Thermoplastic (UL94V-0)
- Item③ Solder pin: Brass. Tin plated
- Item④ Wire guard: Stainless steel
- Item⑤ Pad board: Thermoplastic (UL94V-0)

Electrical:

- Voltage rating: 250V
- Current rating: 8A
- Wire range:
 - Solid wire(AWG): 12-28
 - Stranded wire(AWG): 12-28
- Wire strip length: 8-9mm
- Withstanding Voltage: 1.5KV
- Operating temperature: -40°C to +115°C
- Soldering temperature: 260°C±5°C/5 Sec
- Safety Approval:

N=Number of poles
Dim L=(N-1)×7.5+6.50
Dim B=(N-1)×7.5

Poles	Dim L	Dim B
2-4p	±0.20	±0.15
5-8p	±0.30	±0.25
9-12p	±0.40	±0.35
13-16p	±0.45	±0.40

PART NO.: HM xx 90 x 100J0 G

No. of poles	Color	RoHS compliant
0	Black (RAL9005)	(lead<4%)
2	Red (RAL3001/D)	In copper Alloy
3	Orange(RAL2011/P)	
4	Yellow(RAL1018/A)	
5	Green(RAL6018/T)	
6	Blue (RAL5015/A)	
8	Grey(RAL7004/P)	
9	White(RAL1102)	
C	Multiple colors	

mat'l. code		surface ASME Y14.5	tolerance ASME Y14.5	projection	product family TERMINAL BLOCK
ltr	ecn no	dr	date		title TERMINAL BLOCK
tolerances unless otherwise specified				MM	SPRING CLAMP, 90D WIRE INLET, PRESS FIT
angles				scale	dwg no
X°±1'					sheet 1 of 1
dr				EVIN ZHONG	052914
enr				EVIN ZHONG	052914
chr				HANKE FENG	052914
appd				SHI JUN	052914
sheet index		revision	A	FCI	
		sheet	1	HMxx90x100J0G	
				type CUSTOMER Drawing	
				size A4	